

*Spare parts*  
*BioPlus / BioBlood*  
*ER/BR/RF/BF 600/660 D CG/LG*

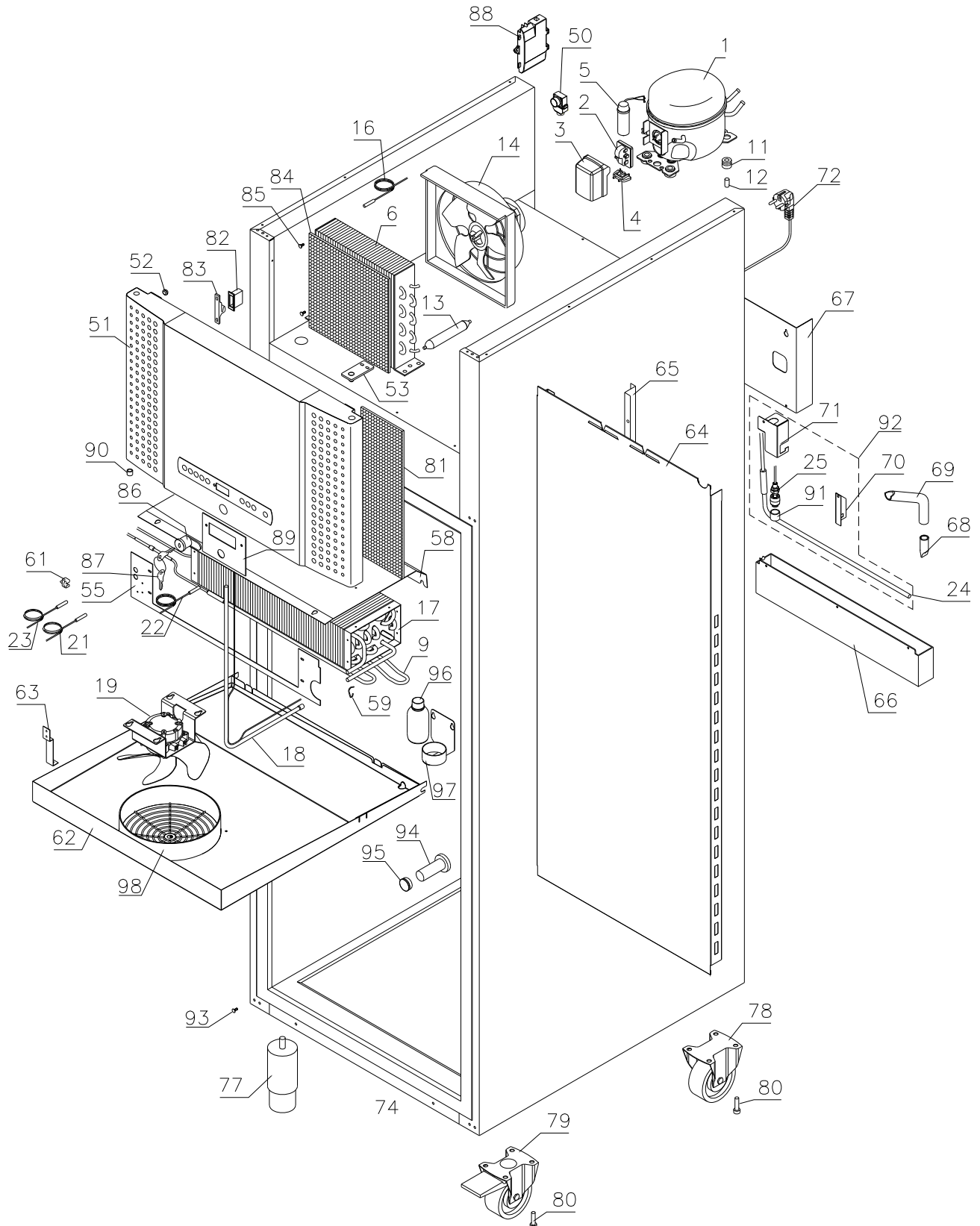


Description :

Spare parts list for BioPlus/BioBlood  
ER/BR/RF/BF 600/660 D CG/LG

Compiled.		Latest revision.			Discontinued	
Date	Name	Date	Name	Rev.no	Date	Name
23.05.07	JP	06.10.20	JP	031		

ER/BR 600/660 D

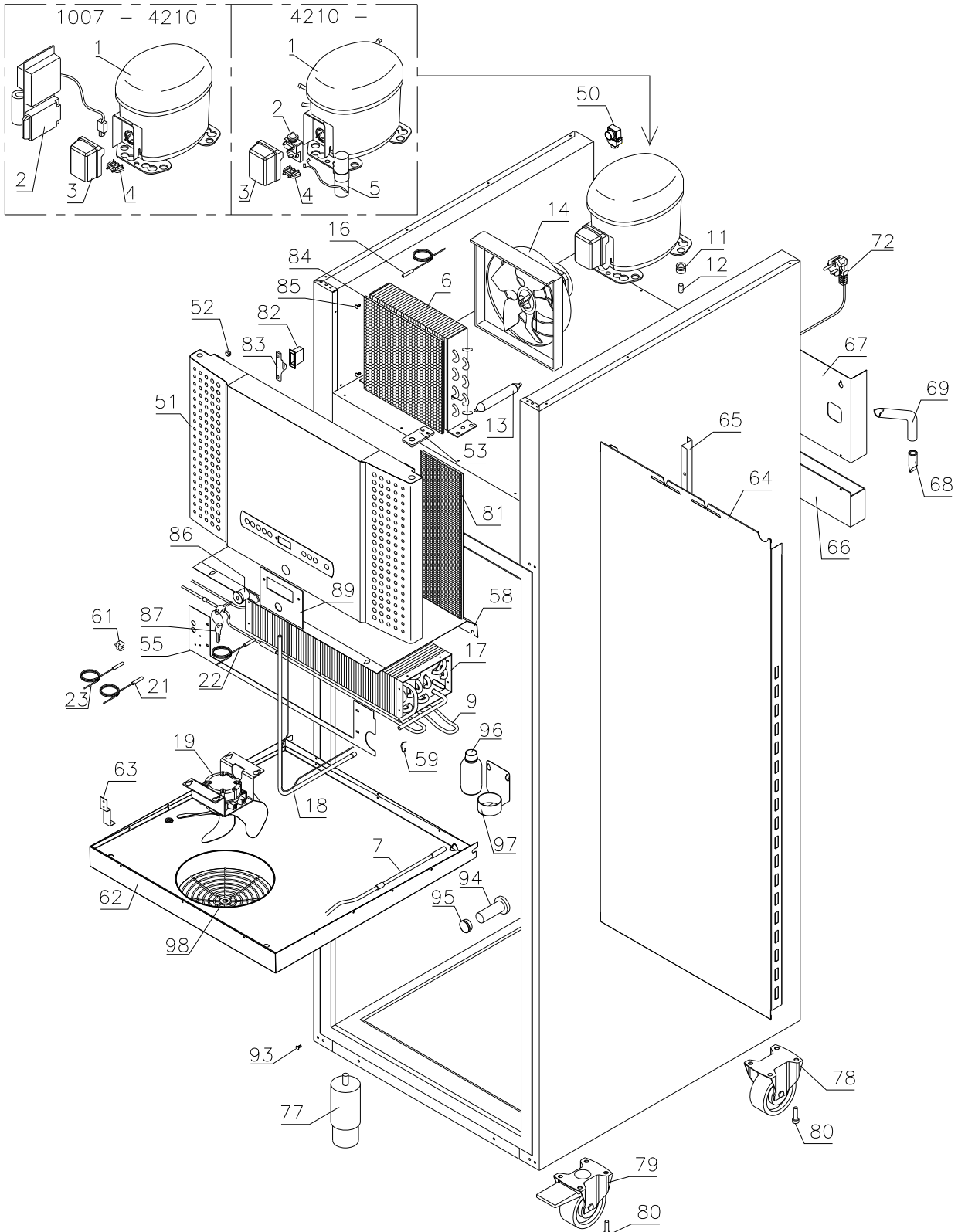


Description :

Spare parts list for BioPlus/BioBlood  
ER/BR/RF/BF 600/660 D CG/LG

Compiled.		Latest revision.			Discontinued	
Date	Name	Date	Name	Rev.no	Date	Name
23.05.07	JP	06.10.20	JP	031		

RF/BF 600/660 D



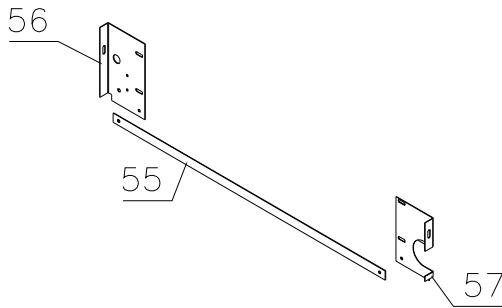
Description :

**Spare parts list for BioPlus/BioBlood  
ER/BR/RF/BF 600/660 D CG/LG**

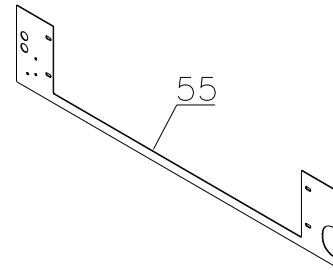
Compiled.		Latest revision.			Discontinued	
Date	Name	Date	Name	Rev.no	Date	Name
23.05.07	JP	06.10.20	JP	031		

**Evaporator cover**

1007 - 1009

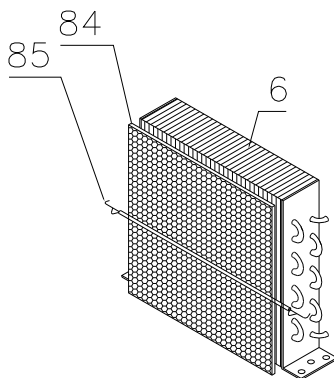


1009 -

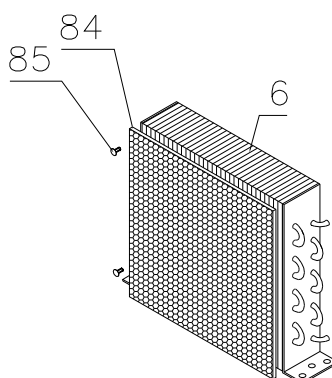


**Condenser filter**

1007 - 2809

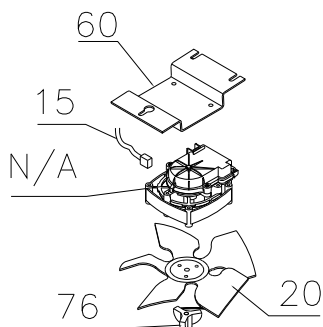


2809 -

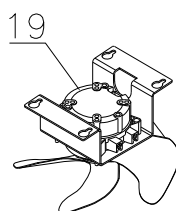


**Evaporator fan**

1007 - 3620



3620 -



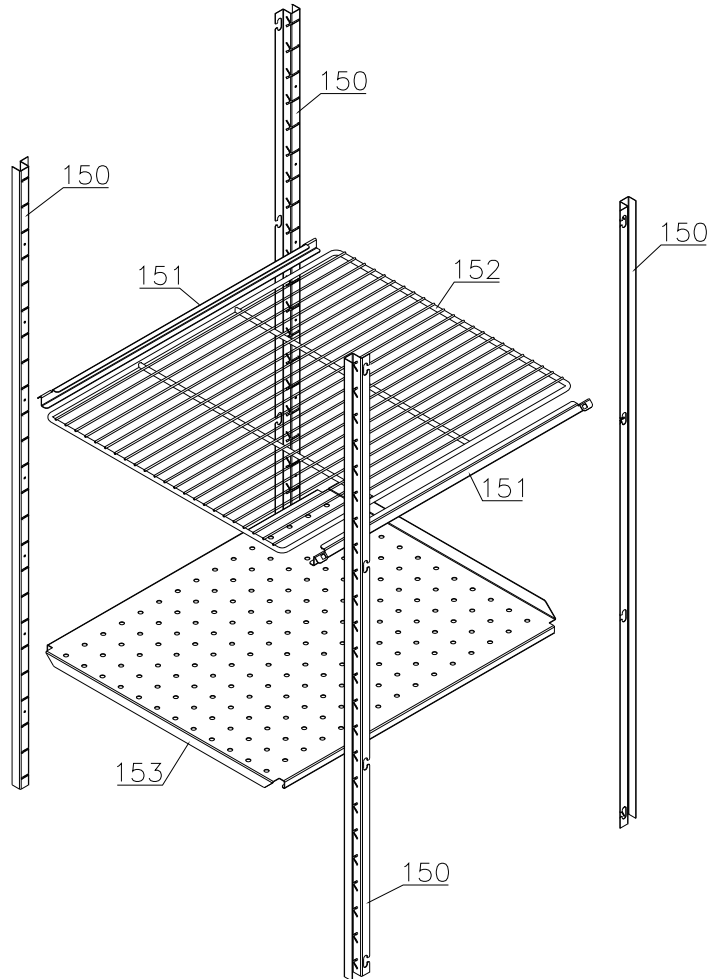
Description :

**Spare parts list for BioPlus/BioBlood  
ER/BR/RF/BF 600/660 D CG/LG**

Compiled.		Latest revision.			Discontinued	
Date	Name	Date	Name	Rev.no	Date	Name
23.05.07	JP	06.10.20	JP	031		

**Interior equipment**

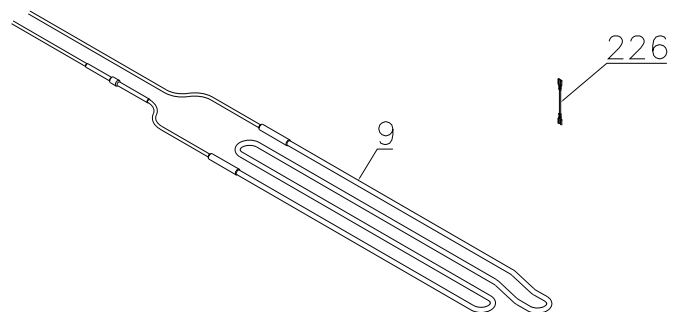
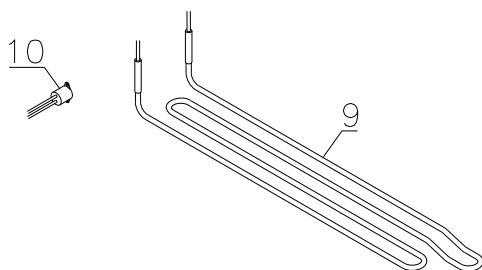
Shelves:



**Defrost heater**

107 - 281

281 -

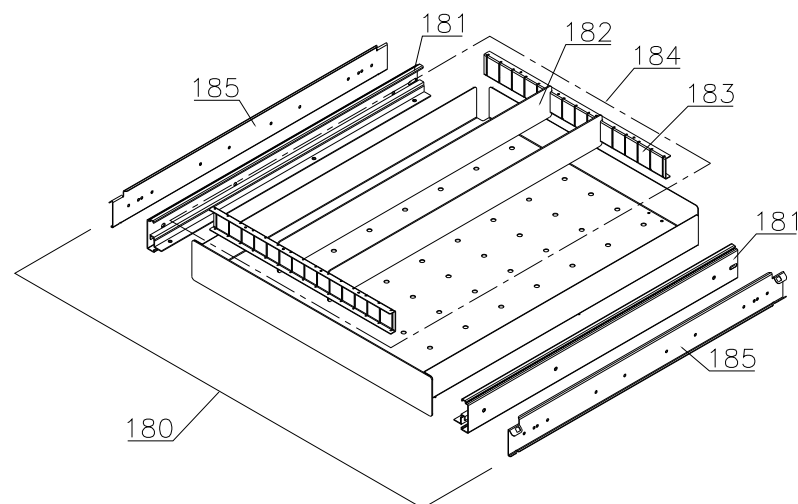
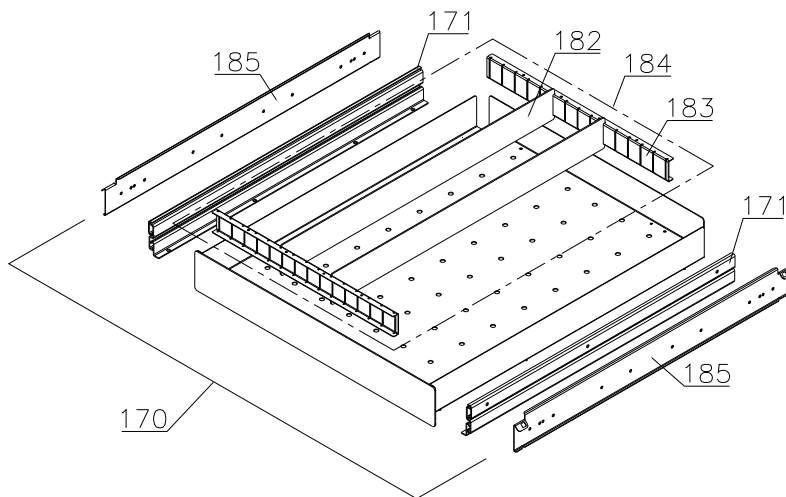
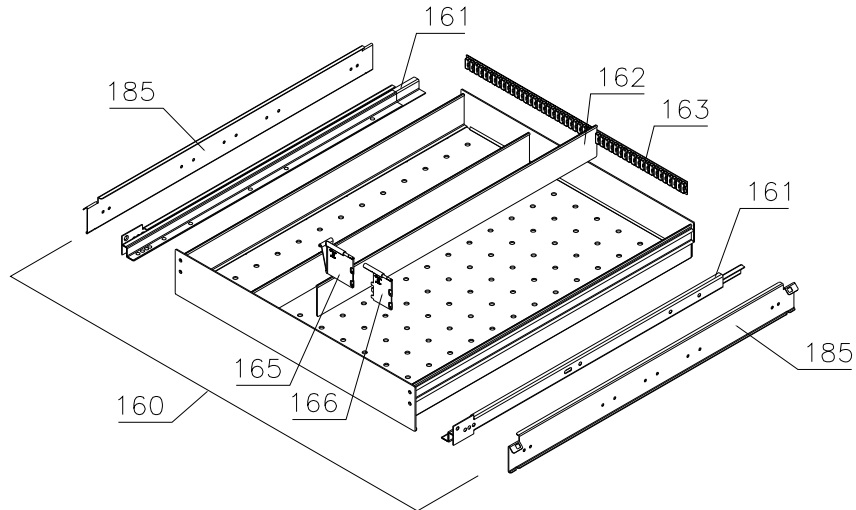


Description :

**Spare parts list for BioPlus/BioBlood  
ER/BR/RF/BF 600/660 D CG/LG**

Compiled.		Latest revision.			Discontinued	
Date	Name	Date	Name	Rev.no	Date	Name
23.05.07	JP	06.10.20	JP	031		

Drawers:



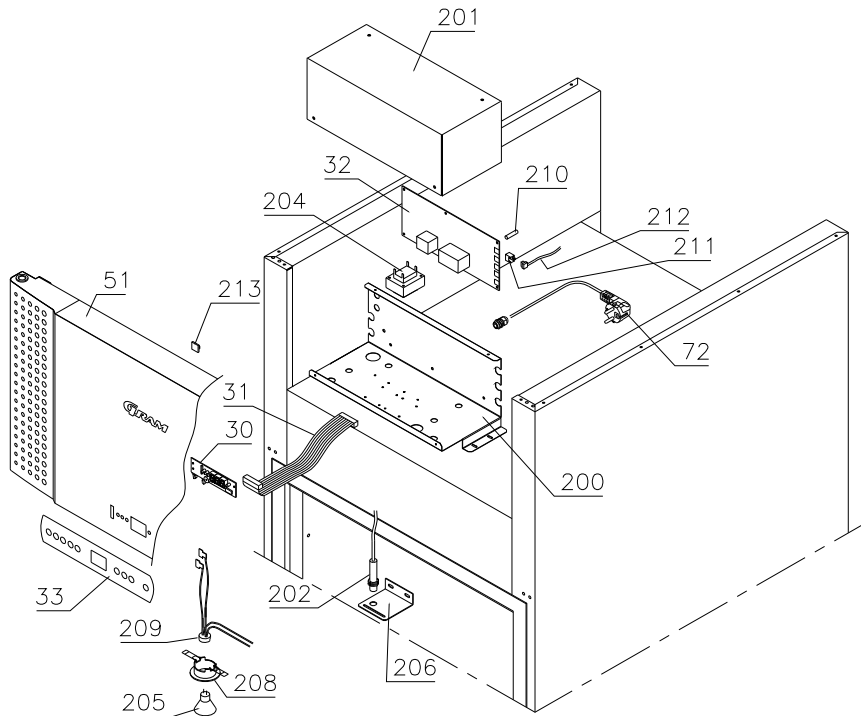
Description :

**Spare parts list for BioPlus/BioBlood  
ER/BR/RF/BF 600/660 D CG/LG**

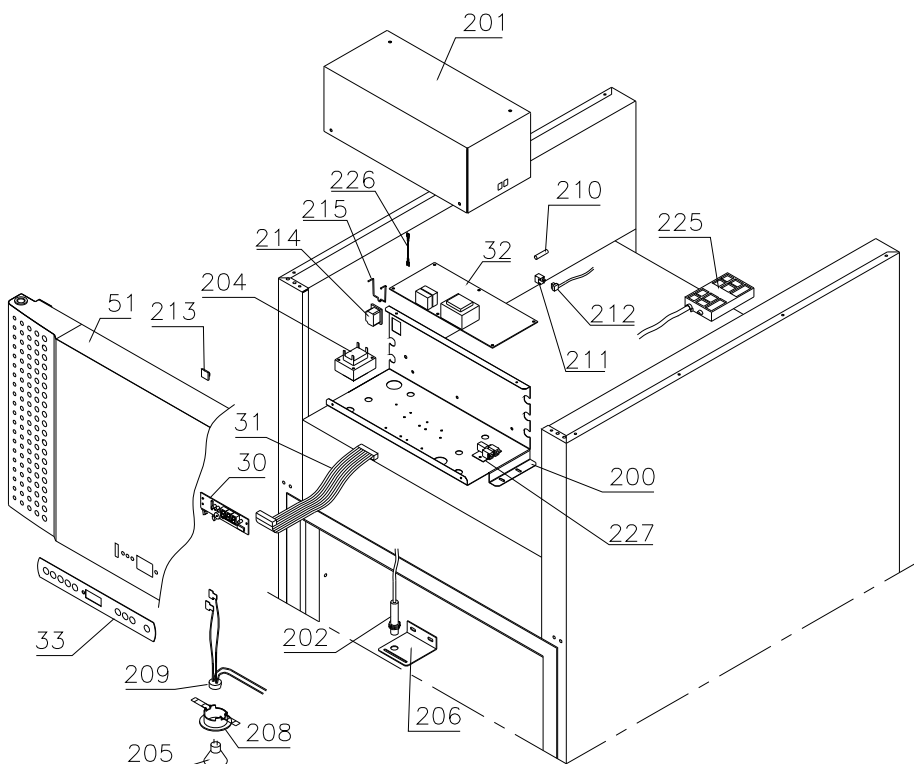
Compiled.		Latest revision.			Discontinued	
Date	Name	Date	Name	Rev.no	Date	Name
23.05.07	JP	06.10.20	JP	031		

**Control panel / electrical parts**

1007 - 1709



1709 - 4715

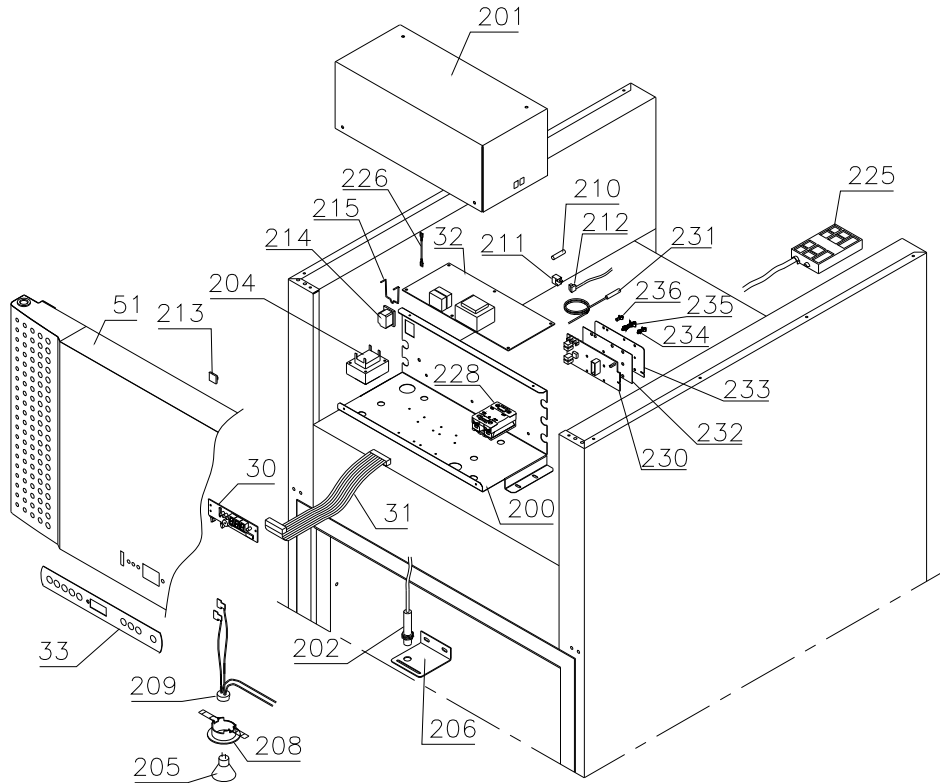


Description :

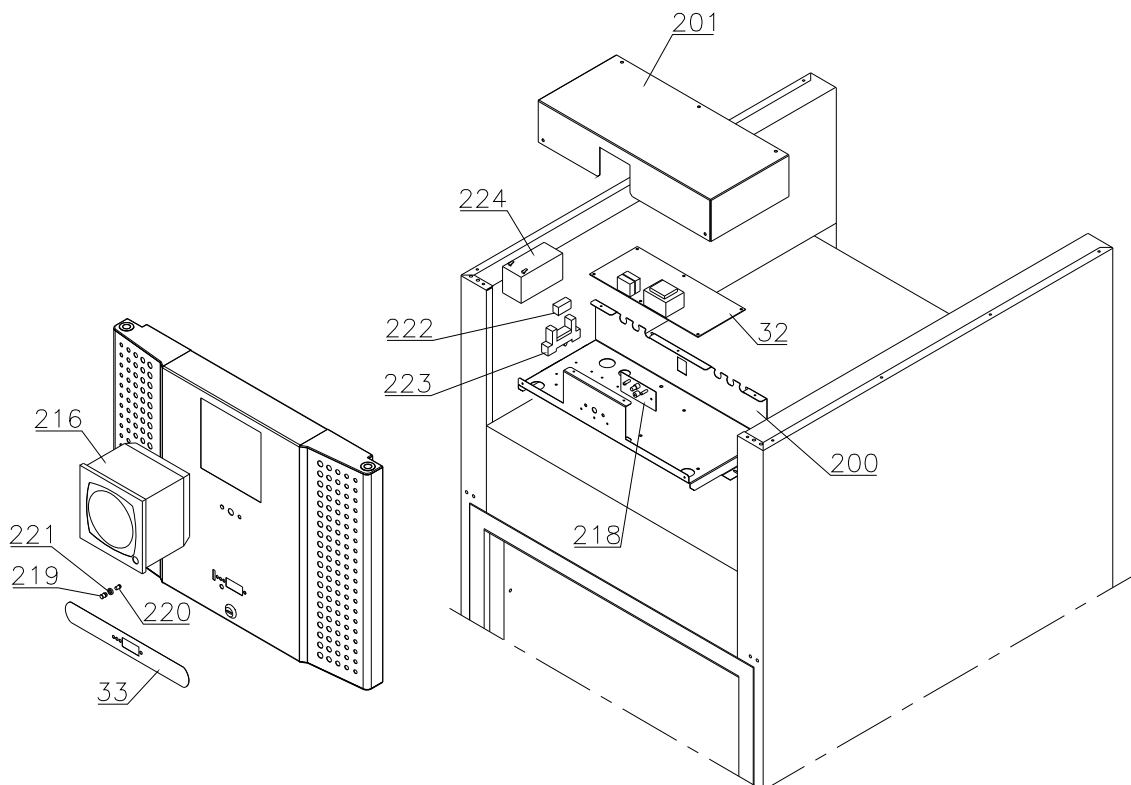
**Spare parts list for BioPlus/BioBlood  
ER/BR/RF/BF 600/660 D CG/LG**

Compiled.		Latest revision.			Discontinued	
Date	Name	Date	Name	Rev.no	Date	Name
23.05.07	JP	06.10.20	JP	031		

4715 -



Optional parts:



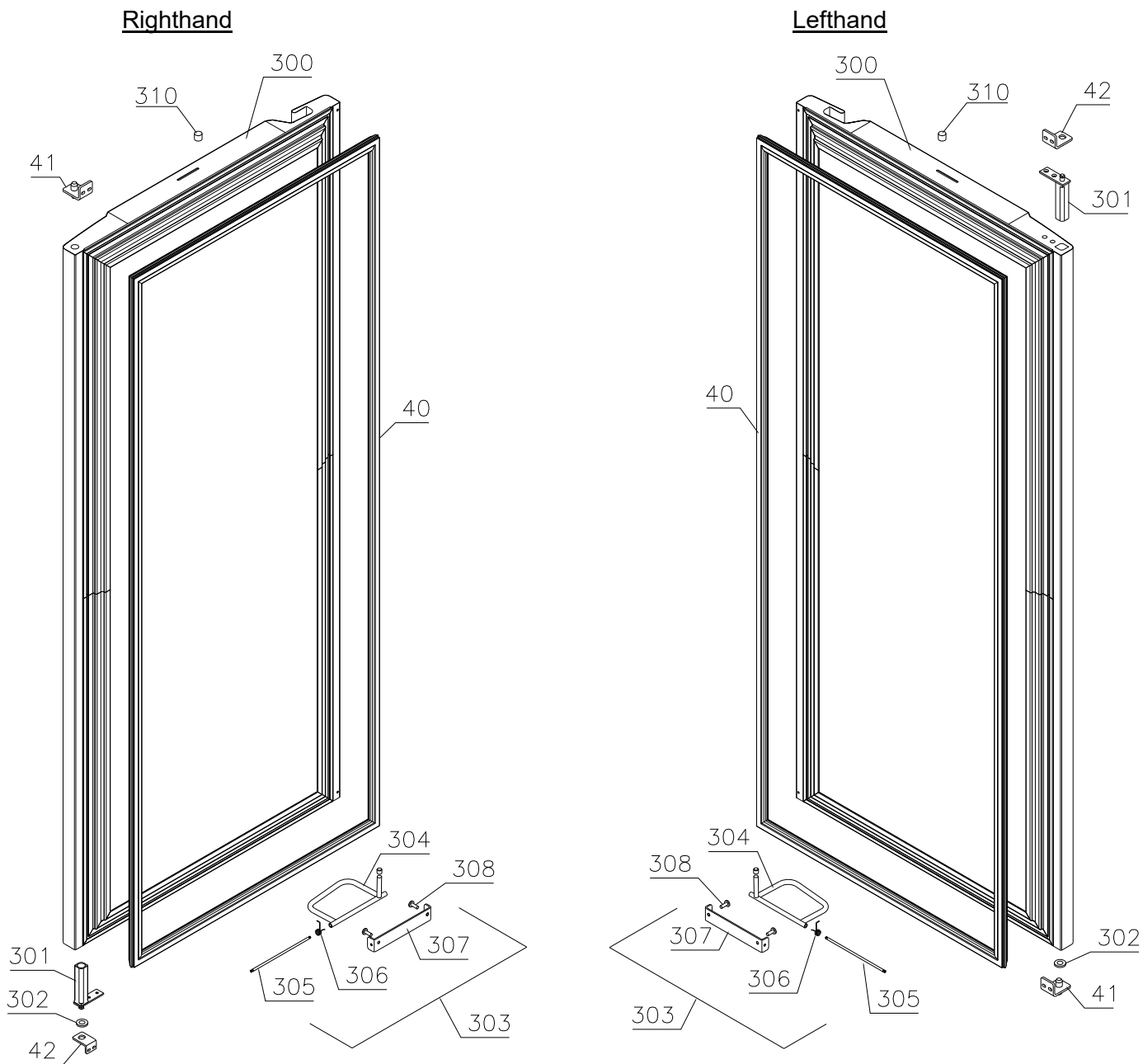


Description :

**Spare parts list for BioPlus/BioBlood  
ER/BR/RF/BF 600/660 D CG/LG**

Compiled.		Latest revision.			Discontinued	
Date	Name	Date	Name	Rev.no	Date	Name
23.05.07	JP	06.10.20	JP	031		

**Door**

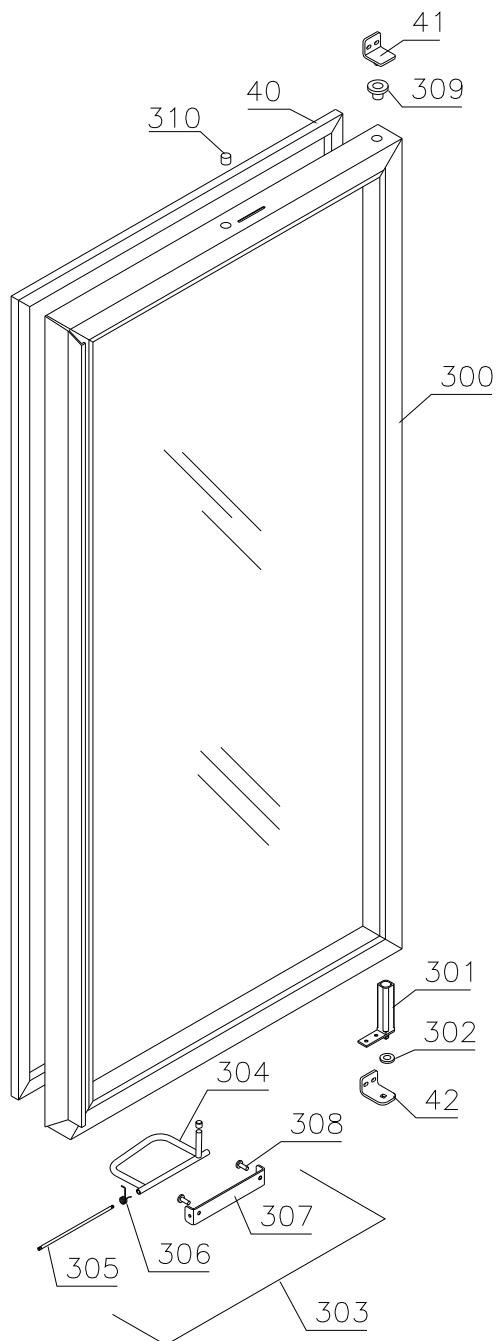


Description :

**Spare parts list for BioPlus/BioBlood  
 ER/BR/RF/BF 600/660 D CG/LG**

Compiled.		Latest revision.			Discontinued	
Date	Name	Date	Name	Rev.no	Date	Name
23.05.07	JP	06.10.20	JP	031		

Glass door

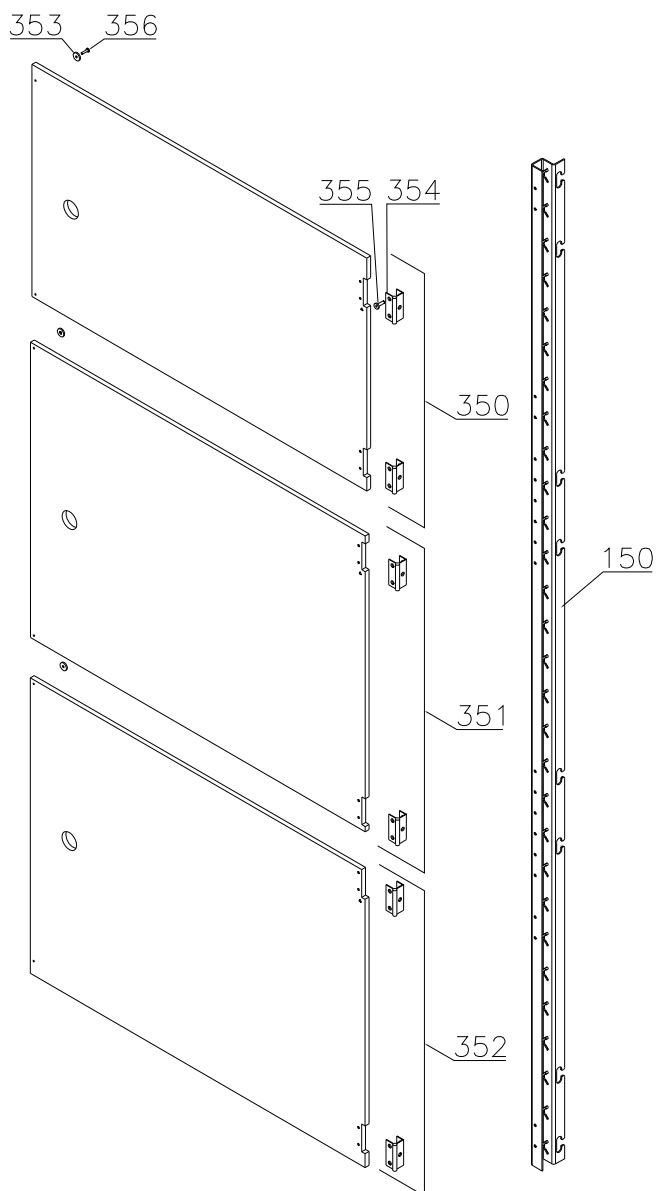


Description :

**Spare parts list for BioPlus/BioBlood  
ER/BR/RF/BF 600/660 D CG/LG**

Compiled.		Latest revision.			Discontinued	
Date	Name	Date	Name	Rev.no	Date	Name
23.05.07	JP	06.10.20	JP	031		

**Internal doors**



Description :

**Spare parts list for BioPlus/BioBlood  
ER/BR/RF/BF 600/660 D CG/LG**

Compiled.		Latest revision.			Discontinued	
Date	Name	Date	Name	Rev.no	Date	Name
23.05.07	JP	06.10.20	JP	031		

Item No.	Description	Gram part No.	week/year Issued	week/year Deleted
----------	-------------	---------------	---------------------	----------------------

**Essential spare parts**

Refrigeration system/cabinet

ER/BR 600/660 D:

1	Compressor TL 5 CNK	502900000	1007	
2	Starting device	453051002	1007	
3	Cover	452440293	1007	
4	Cord relief	452440300	1007	
5	Run capacitor	760073377	1007	
6	Condenser	612900500	1007	

RF/BF 600/660 D:

1	Compressor SC 12 CNX	502900001	1007	4210
1	Compressor SC 12 CNX.2	502900011	4210	
2	Starting device	453051004	1007	4210
2	Starting relay	410589042	4210	
3	Cover	452440280	1007	
4	Cord relief	452440292	1007	
5	Starting capacitor	451720019	4210	
6	Condenser	612900501	1007	
7	Drip water heater 6,5 W	765071698	1007	

Common parts:

8	Fan blade ø230 24°	612900200	1007	
9	Defrost heating element 350 W	765071819	1007	
10	Overheat safety thermostat	765070828	1007	2811
11	Rubber foot	760080519	1007	
12	Bush	760080521	1007	
13	Filter drier	762900156	1007	
14	Condenser fan guard	ER/BR 765080189	1007	
14	Condenser fan guard	RF/BF 765080190	1007	
15	Wire for fan motor	612900400	1007	3620
16	Condenser sensor	453531500	1007	
17	Evaporator	765080185	1007	
18	Heat exchanger	762900060	1007	
19	Evaporator fan complete	761234098	1007	

Description :

**Spare parts list for BioPlus/BioBlood  
ER/BR/RF/BF 600/660 D CG/LG**

Compiled.		Latest revision.			Discontinued	
Date	Name	Date	Name	Rev.no	Date	Name
23.05.07	JP	06.10.20	JP	031		

Item No.	Description	Gram part No.	week/year Issued	week/year Deleted
20	Fan blade, ø200	612900201	1007	3620
21	Cabinet sensor	453531500	1007	
22	Defrost sensor	453531501	1007	0712
22	Defrost sensor	453531504	0712	
23	E-sensor	453531504	1007	
24	Re-evap. heating element 60 W	761250778	1007	2714
24	Re-evap. heating element 60 W	765072862	2714	
25	Float switch	765072049	1007	

Control panel:

30	Controller, display part		612900050	1007	2210
30	Controller, display part		612900056	2210	
30	Controller, display part for LTP		612900057	3919	
31	Band cable L=1200		453582046	1007	
31	Band cable for LTP		765072970	3919	
32	Controller power part M5	ER	761256135	1007	
32	Controller power part M4	BR	761256133	1007	
32	Controller power part F5	RF/BF	761256134	1007	4414
32	Controller power part F51	RF/BF	761256162	4414	
32	Controller power part M5 batt.alm.	ER	761256146	1007	4511
32	Controller power part M4 batt.alm.	BR	761256145	1007	4511
32	Controller power part F5 batt.alm.	RF/BF	761256147	1007	4511
33	Label with keys		761230076	1007	1010
33	Label with keys		765041752	1010	

Door:

40	Door gasket	600	761259243	1007	
40	Door gasket	660	761259244	1007	
41	Hinge, upper right/bottom left		761258923	1007	
42	Hinge, bottom right/upper left		761258998	1007	

Description :

**Spare parts list for BioPlus/BioBlood  
ER/BR/RF/BF 600/660 D CG/LG**

Compiled.		Latest revision.			Discontinued	
Date	Name	Date	Name	Rev.no	Date	Name
23.05.07	JP	06.10.20	JP	031		

Item No.	Description	Gram part No.	week/year Issued	week/year Deleted
----------	-------------	---------------	---------------------	----------------------

**Other spare parts**

Cabinet

50	Air relief valve		765081206	1007	
51	Front panel – solid door, stainless		761231402	1007	
51	Front panel – solid door, white		761231497	1007	
51	Front panel – glass door, stainless		761234026	1007	
51	Front panel – glass door, white		761231498	1007	
52	Front panel plug		760250272	1007	
53	Hinge for front panel		761258926	1007	
55	Cover rail for evaporator		761254449	1007	1009
55	Cover for evaporator (one piece)		761254467	1009	
56	Cover plate, left		761254448	1007	1009
57	Cover plate, right		761254447	1007	1009
58	Suspension plate for evaporator		761255422	1007	
59	Heating element bracket		761254427	1007	
60	Fan holder		761258499	1007	3620
61	Cable clip		452470001	1007	
62	Drip water tray		761256010	1007	0509
62	Drip water tray		761256035	0509	
62	Drip water tray, insulated	RF/BF	761236010	0710	
63	Holder for drip water tray		761253441	1007	
63	Holder for drip water tray	RF/BF	761253442	0710	
64	Air distribution plate	600	761254429	1007	
64	Air distribution plate	660	761254430	1007	
65	Rail for air distribution plate		760243634	1007	
66	Re-evaporation tray		765081149	1007	
67	Cover plate for re-evap. tray		761255383	1007	
68	Water trap		760082891	1007	
69	Drain pipe		765081153	1007	
70	Heating element bracket		761255445	1007	2714
70	Heating element bracket		763250002	2714	
71	Float switch bracket		761255446	1007	2714
71	Float switch bracket		763250003	2714	
72	Lead and plug, DK 3-pin		765072555	1007	1709
72	Lead and plug, DK 3-pin		765072568	1709	
72	Lead and plug, EU		765072554	1007	1709
72	Lead and plug, EU		765072566	1709	
72	Lead and plug, GB		765072553	1007	1709
72	Lead and plug, GB		765072567	1709	

Description :

**Spare parts list for BioPlus/BioBlood  
ER/BR/RF/BF 600/660 D CG/LG**

Compiled.		Latest revision.			Discontinued	
Date	Name	Date	Name	Rev.no	Date	Name
23.05.07	JP	06.10.20	JP	031		

Item No.	Description	Gram part No.	week/year Issued	week/year Deleted
76	Screw for fan blade	612900100	1007	3620
77	Leg, stainless H=135-200	765080115	1007	
78	Fixed wheel, H=125	480270520	1007	
79	Castor wheel, with brake	480260050	1007	
80	Screw M8 x 12	420050100	1007	3610
80	Screw M8 x 16	422715065	3610	
81	Front panel filter	761258491	1007	
82	Front panel close latch	761253307	1007	
83	Front panel close keeper	761253301	1007	
84	Condenser filter	761114415	1007	
85	Attachment spring	761114417	1007	2809
85	Attachment plug	765081246	2809	
86	Door lock – solid door	765080092	1007	
86	Door lock – glass door	765080098	1007	
87	Key no. 1 (25010)	765080340	1007	
87	Key no. 2 (25020)	765080341	1007	
87	Key no. 3 (25030)	765080342	1007	
87	Key no. 4 (25040)	765080343	1007	
87	Key no. 5 (25050)	765080344	1007	
87	Master key	765080385	1007	
88	Junction box f. re-evap. heater	765070143	1007	
89	Bracket for lock	761258747	1007	
90	Bush ø12	761254345	1007	
91	Plastic cap	450450080	1007	
92	Re-evaporation heater kit complete	761255438	1007	2714
92	Re-evaporation heater kit complete	763254026	2714	
93	Cap for M5 hole	grey	765080501	1007
93	Cap for M5 hole	white	765080504	1007
94	Insulation plug	765080563	2309	
95	Plastic cap	501020023	2309	
96	Liquid container	765080384	1007	
97	Holder for liquid container	761256497	1007	
98	Fan guard	765081239	0509	

Description :

**Spare parts list for BioPlus/BioBlood  
ER/BR/RF/BF 600/660 D CG/LG**

Compiled.		Latest revision.			Discontinued	
Date	Name	Date	Name	Rev.no	Date	Name
23.05.07	JP	06.10.20	JP	031		

Item No.	Description	Gram part No.	week/year Issued	week/year Deleted
----------	-------------	---------------	---------------------	----------------------

Interior equipment:

150	Wall rail	600	761256462	1007
150	Wall rail - for internal doors	600	761230295	2010
150	Wall rail	660	761256454	1007
150	Wall rail - for internal doors	660	761230296	2010
151	Shelf support rail		761256455	1007
152	Stainless wire shelf		818880007	1007
152	Stainless wire shelf / internal doors		765080409	3210
152	Grey wire shelf		818880008	1007
153	Perforated shelf, stainless		761230083	1007
160	Alu drawer, complete		761230357	1007
161	Set of sliding rails		761234055	1007
162	Divider rail		761230016	1007
163	Holder for divider rail		761230367	1007
165	Plastic divider 1		761230021	1007
166	Plastic divider 2		761230022	1007
170	Stainless drawer, complete 30 kg		761231232	1007
171	Set of sliding rails		761234000	1008
180	BioBlood drawer complete 40 kg		761231202	1008
181	Set of sliding rails		761234058	1008
182	Divider, stainless		761230308	1008
183	Holder for divider, stainless		761230305	1008
184	Divider set complete		761231448	1008
185	Support for sliding rail		761230201	1008



**Description :**

**Spare parts list for BioPlus/BioBlood  
ER/BR/RF/BF 600/660 D CG/LG**

Compiled.		Latest revision.			Discontinued	
Date	Name	Date	Name	Rev.no	Date	Name
23.05.07	JP	06.10.20	JP	031		

Item No.	Description	Gram part No.	week/year Issued	week/year Deleted
<u>Control panel/electrical parts:</u>				
200	Junction box	761255431	1007	
200	Junction box - battery alarm	761230089	1007	
201	Cover for junction box	761255432	1007	
201	Cover for junction box – battery alarm	761230175	1007	
202	Door switch	450400113	1007	
203	Distance tube L=8.3 mm	765080021	1007	
204	Trafo for lights	760073650	1007	
205	Halogen light 10W	450742002	1007	
206	Bracket for door switch and lock	761259005	1007	
208	Mounting socket for halogen light	761251323	1007	
209	Wiring for halogen light	765071603	1007	
210	Spacer for PCB	451119515	1007	
211	Sensor plug holder	452260601	1007	
212	Sensor plug	452260600	1007	
213	Cable clip	424350001	1007	
214	Appliance inlet	451022002	1709	
215	Brace for mains cable	761230215	1709	
216	Chart recorder	761256438	1007	
218	Battery alarm PCB	453580116	1007	4511
219	Clear glass for LED	765080380	1007	4511
220	Light stick for LED	765080381	1007	4511
221	Spacer for LED	765080382	1007	4511
222	Relay	450200082	1007	4511
223	Relay socket	450200097	1007	4511
224	Battery	130080060	1007	4511
225	Box for alarm connection	761230356	1210	
226	Wire for klixon	765072664	2811	
227	Datalogger connector	453570037	4311	2315
228	Solid State relay	450200300	4715	
230	LTP controller	453580515	3919	
231	LTP sensor	453531533	3919	
232	PCB protection sheet	765072698	0718	
233	Screening plate	765073271	0718	
234	Dual locking spacer H=7.9 mm	451119525	0718	
235	Dual locking spacer H=15.9 mm	451119526	0718	
236	Push spacer H=7.9 mm	451119527	0718	

Description :

**Spare parts list for BioPlus/BioBlood  
ER/BR/RF/BF 600/660 D CG/LG**

Compiled.		Latest revision.			Discontinued	
Date	Name	Date	Name	Rev.no	Date	Name
23.05.07	JP	06.10.20	JP	031		

Item No.	Description	Gram part No.	week/year Issued	week/year Deleted
----------	-------------	---------------	---------------------	----------------------

Door :

300	Door, stainless	600	761251300	1007
300	Door, stainless	660	761251306	1007
300	Door, white	600	761251301	1007
300	Door, white	660	761251302	1007
300	Glass door	600	761259150	1007
300	Glass door	660	761259168	1007
301	Self-close device		761259909	1007
302	Washer		421708020	1007
303	Foot pedal complete, lefthand		761258167	1007
303	Foot pedal complete, righthand		761258166	1007
304	Pedal arm, lefthand		761258482	1007
304	Pedal arm, righthand		761258407	1007
305	Pedal spindle		761258406	1007
306	Spring for pedal, lefthand		760251364	1007
306	Spring for pedal, righthand		760251363	1007
307	Bracket for pedal		761258404	1007
308	Screw M5x12		420178203	1007
309	Hinge bush		760242041	1007
310	Magnet for door switch		450401002	1007

Internal doors:

350	Upper door, complete		761231885	2010
351	Intermediate door, complete	600	761231886	2010
351	Intermediate door, complete	660	761231887	2010
352	Lower door, complete		761231888	2010
353	Magnet		450401003	2010
354	Hinge		761230343	2010
355	Screw for hinge		420168174	2010
356	Screw for magnet		420168175	2010