

*Spare parts list*  
*BioCompact RF 310*  
*BioCompact II RF 310*

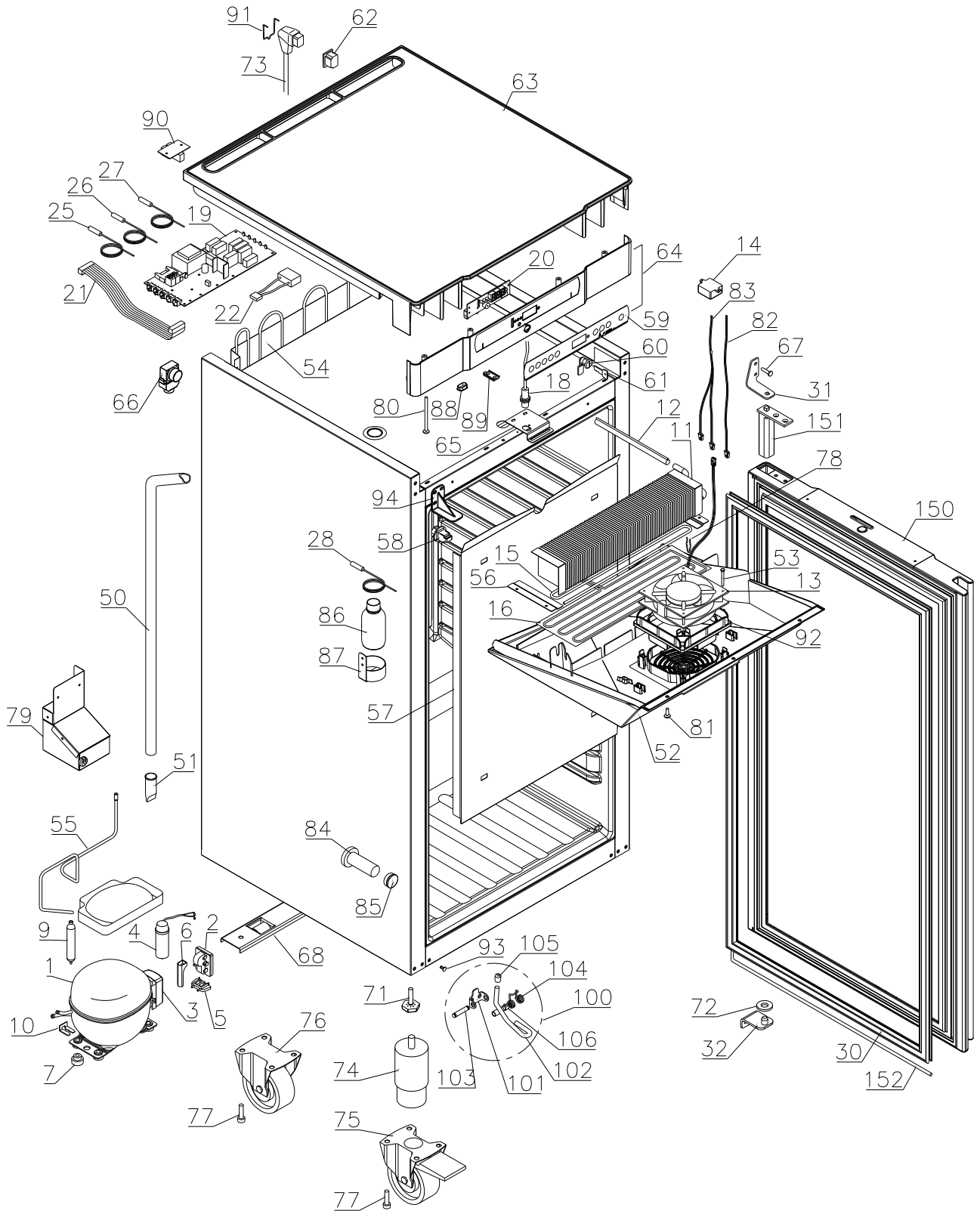


**Description :**

**Spare parts list for  
 BioCompact / BioCompact II RF 310**

| Compiled. |      | Latest revision. |      |        | Deleted. |      |
|-----------|------|------------------|------|--------|----------|------|
| Date      | Name | Date             | Name | Rev.no | Date     | Name |
| 25.01.12  | JP   | 21.09.22         | JP   | 020    |          |      |

**Exploded view IIRF 310**

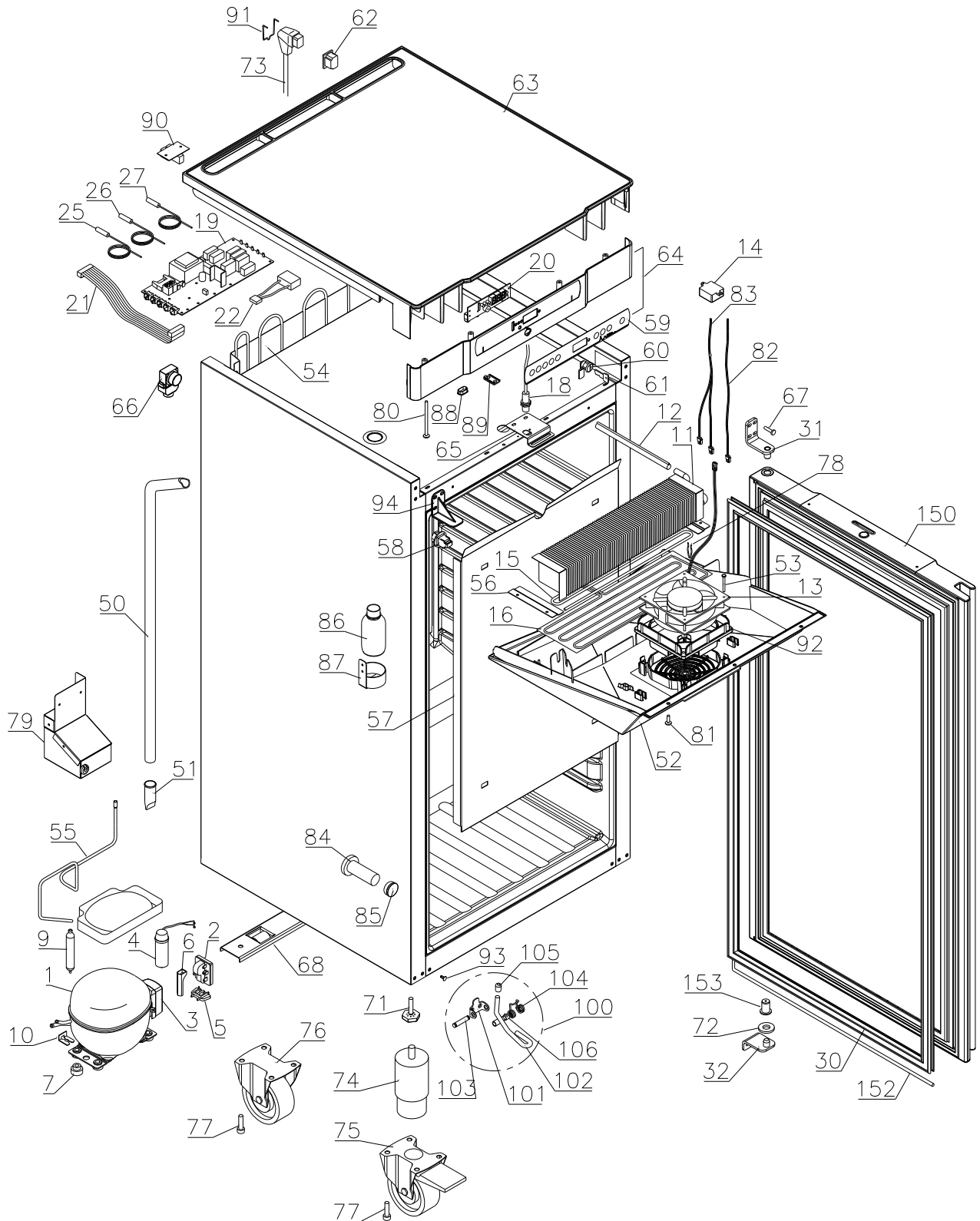


Description :

**Spare parts list for  
 BioCompact / BioCompact II RF 310**

| Compiled. |      | Latest revision. |      |        | Deleted. |      |
|-----------|------|------------------|------|--------|----------|------|
| Date      | Name | Date             | Name | Rev.no | Date     | Name |
| 25.01.12  | JP   | 21.09.22         | JP   | 020    |          |      |

**Exploded view RF 310**



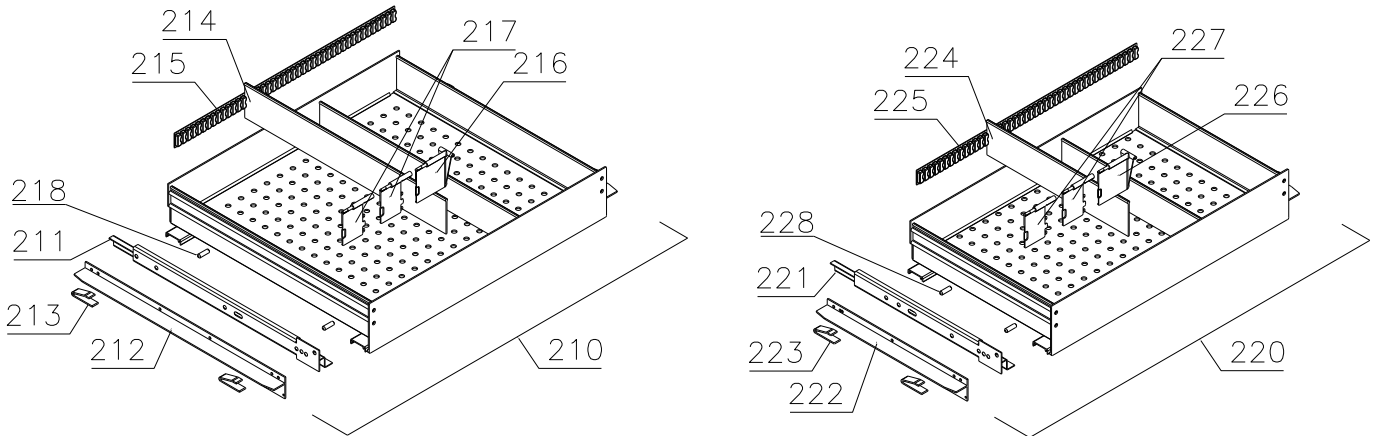
Description :

**Spare parts list for  
BioCompact / BioCompact II RF 310**

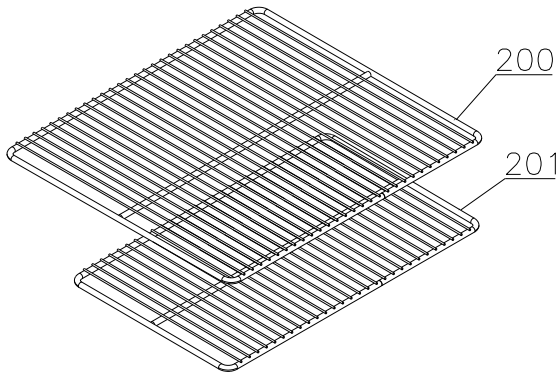
| Compiled. |      | Latest revision. |      |        | Deleted. |      |
|-----------|------|------------------|------|--------|----------|------|
| Date      | Name | Date             | Name | Rev.no | Date     | Name |
| 25.01.12  | JP   | 21.09.22         | JP   | 020    |          |      |

**Interior equipment**

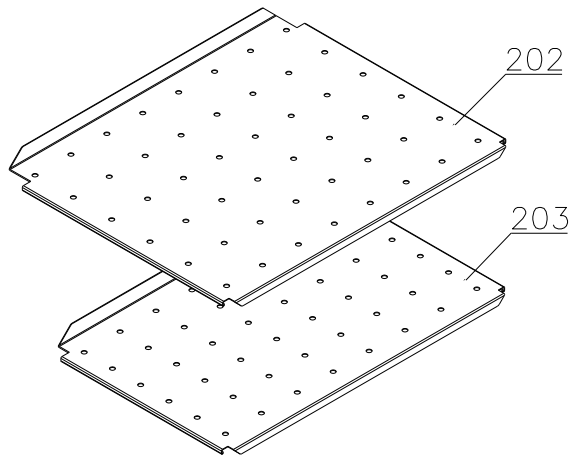
Alu drawers:



Wire shelves:



Perforated shelves:

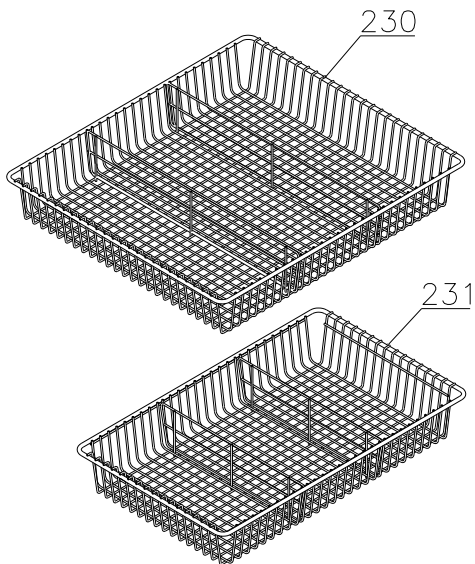


Description :

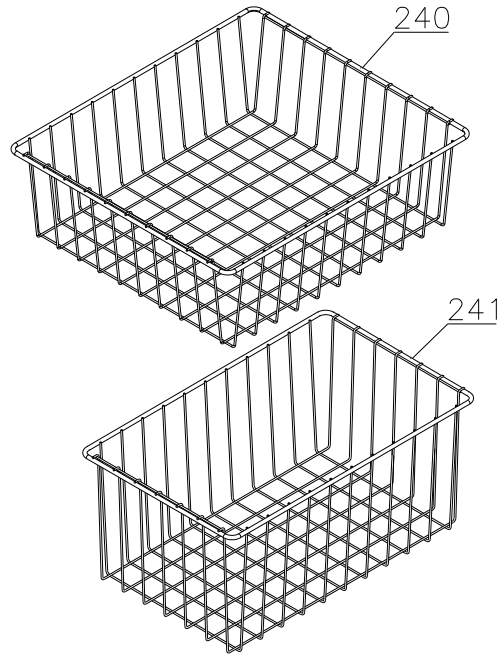
**Spare parts list for  
 BioCompact / BioCompact II RF 310**

| Compiled. |      | Latest revision. |      |        | Deleted. |      |
|-----------|------|------------------|------|--------|----------|------|
| Date      | Name | Date             | Name | Rev.no | Date     | Name |
| 25.01.12  | JP   | 21.09.22         | JP   | 020    |          |      |

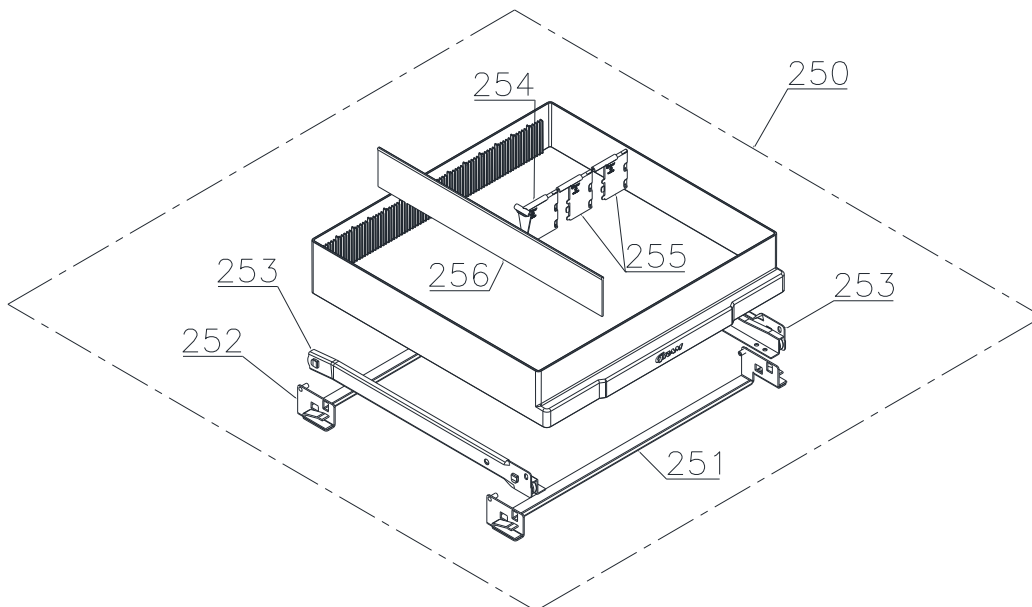
Wire drawers:



Wire baskets:



Plastic drawers:



Description :

**Spare parts list for  
BioCompact / BioCompact II RF 310**

| Compiled. |      | Latest revision. |      |        | Deleted. |      |
|-----------|------|------------------|------|--------|----------|------|
| Date      | Name | Date             | Name | Rev.no | Date     | Name |
| 25.01.12  | JP   | 21.09.22         | JP   | 020    |          |      |

| Item no. | Description | Gram part no. | Week/year:<br>Issued | Deleted |
|----------|-------------|---------------|----------------------|---------|
|----------|-------------|---------------|----------------------|---------|

**Essential spare parts**

| <u>RF 310 RG/LG</u> |                       |           |      |
|---------------------|-----------------------|-----------|------|
| 1                   | Compressor NLX13KK.1  | 500550096 | 0510 |
| 2                   | Starting device       | 453050178 | 0510 |
| 3                   | Cover                 | 452440293 | 0510 |
| 4                   | Run capacitor 4 µF    | 451723513 | 0510 |
| 5                   | Cord relief           | 452440297 | 0510 |
| 6                   | Protection screen PTC | 452440290 | 0510 |

| <u>RF 310 RH/LH – 50Hz</u> |                       |           |      |
|----------------------------|-----------------------|-----------|------|
| 1                          | Compressor NLY9FK     | 500550095 | 0510 |
| 2                          | Starting device       | 453050178 | 0510 |
| 3                          | Cover                 | 452440293 | 0510 |
| 4                          | Run capacitor 4µF     | 451723513 | 0510 |
| 5                          | Cord relief           | 452440297 | 0510 |
| 6                          | Protection screen PTC | 452440290 | 0510 |

| <u>RF 310 RH/LH – 60Hz</u> |                       |           |      |
|----------------------------|-----------------------|-----------|------|
| 1                          | Compressor NL10MF     | 500550531 | 0510 |
| 2                          | Starting device       | 453050151 | 0510 |
| 3                          | Cover                 | 452440294 | 0510 |
| 5                          | Cord relief           | 452440300 | 0510 |
| 6                          | Protection screen PTC | 452440290 | 0510 |

| <u>Common parts:</u> |  |           |      |
|----------------------|--|-----------|------|
| 7                    | Rubber bush                                | 760080519 | 0510 |
| 8                    | Re-evaporation tray, RG/LG                 | 410820011 | 0510 |
| 8                    | Re-evaporation tray, RH/LH                 | 410820010 | 0510 |
| 9                    | Filter drier                               | 761221322 | 1810 |
| 10                   | Compressor clip                            | 760082367 | 0510 |
| 11                   | Evaporator                                 | 765080207 | 0510 |
| 12                   | Heat exchanger                             | 761221406 | 0510 |
| 13                   | Evaporator fan 12V DC                      | 765071196 | 0510 |
| 14                   | Trafo for fan (kit)                        | 761234127 | 0510 |
| 14                   | Trafo for fan                              | 765072987 | 1521 |
| 15                   | Defrost heater                             | 765071197 | 0510 |
| 16                   | Drip tray heater incl wire/thermal limiter | 761234144 | 0510 |
| 18                   | Door switch                                | 450400111 | 0510 |
| 19                   | Electr.contr., power part F5+, IIRF        | 761256134 | 0510 |
| 19                   | Electr.contr., power part F51, IIRF        | 761256162 | 4214 |
| 19                   | Electr.contr., power part F6+, RF          | 761256153 | 0510 |
| 19                   | Electr.contr., power part F61, RF          | 761256163 | 4214 |
| 20                   | Electronic controller, display part        | 612900056 | 2210 |
| 21                   | Band cable                                 | 765072661 | 0510 |
| 22                   | Capacitor for condenser fan                | 765072790 | 5113 |

**Gram Commercial**  
**Technical information**

765041484

Description :

**Spare parts list for  
BioCompact / BioCompact II RF 310**

| Compiled. |      | Latest revision. |      |        | Deleted. |      |
|-----------|------|------------------|------|--------|----------|------|
| Date      | Name | Date             | Name | Rev.no | Date     | Name |
| 25.01.12  | JP   | 21.09.22         | JP   | 020    |          |      |

| Item no. | Description                    | Gram part no. | Week/year<br>Issued | Deleted |
|----------|--------------------------------|---------------|---------------------|---------|
| 25       | Room sensor                    | 453531501     | 0510                |         |
| 26       | Evaporator sensor              | 453531501     | 0510                |         |
| 27       | Condenser sensor               | 453531504     | 0510                |         |
| 28       | E-sensor, IIRF                 | 453531504     | 0510                |         |
| 30       | Door gasket                    | 761222728     | 0510                |         |
| 31       | Upper hinge                    | 761222906     | 0510                |         |
| 31       | Upper hinge, self-close, right | 761222806     | 4314                |         |
| 31       | Upper hinge, self-close, left  | 761222808     | 4314                |         |
| 32       | Lower hinge                    | 761222904     | 0510                |         |
| 32       | Lower hinge, self-close        | 761222805     | 4314                |         |

Description :

**Spare parts list for  
BioCompact / BioCompact II RF 310**

| Compiled. |      | Latest revision. |      |        | Deleted. |      |
|-----------|------|------------------|------|--------|----------|------|
| Date      | Name | Date             | Name | Rev.no | Date     | Name |
| 25.01.12  | JP   | 21.09.22         | JP   | 020    |          |      |

| Item no. | Description | Gram part no. | Week/year<br>Issued | Deleted |
|----------|-------------|---------------|---------------------|---------|
|----------|-------------|---------------|---------------------|---------|

**Other spare parts**

|    |                               |           |      |  |
|----|-------------------------------|-----------|------|--|
| 50 | Drain pipe                    | 761221758 | 0510 |  |
| 51 | Water trap                    | 760082891 | 0510 |  |
| 52 | Drip tray, grey               | 761223100 | 0510 |  |
| 52 | Drip tray, white              | 761223101 | 0510 |  |
| 53 | Screw for fan                 | 420790001 | 0811 |  |
| 54 | Condenser                     | 761222786 | 0510 |  |
| 55 | Re-evaporation pipework       | 760000323 | 0510 |  |
| 56 | Evaporator suspension bracket | 761223070 | 0510 |  |
| 57 | Air distribution plate, alu   | 761230268 | 0510 |  |
| 58 | Suspension plug, grey         | 765081214 | 0510 |  |
| 59 | Label for controller, IIRF    | 765041752 | 0510 |  |
| 59 | Label for controller, RF      | 765041754 | 0510 |  |
| 60 | Door lock                     | 765080093 | 0510 |  |
| 61 | Key                           | 761220166 | 0510 |  |
| 62 | Appliance inlet               | 451022002 | 0510 |  |
| 63 | Tabletop upper part, grey     | 761222891 | 0510 |  |
| 63 | Tabletop upper part, white    | 761222890 | 0510 |  |
| 64 | Tabletop front, grey IIRF     | 761230454 | 0510 |  |
| 64 | Tabletop front, grey RF       | 761234120 | 0510 |  |
| 64 | Tabletop front, white IIRF    | 761230455 | 0510 |  |
| 64 | Tabletop front, white RF      | 761234121 | 0510 |  |
| 65 | Lock bracket                  | 761222761 | 0510 |  |
| 66 | Air relief valve              | 765081206 | 0510 |  |
| 67 | Screw for hinge               | 420090100 | 0510 |  |
| 68 | Wheel bracket complete        | 761223051 | 0510 |  |
| 71 | Adjustment screw              | 761223055 | 0510 |  |
| 72 | Washer                        | 760250524 | 0510 |  |
| 73 | Mains cable, EU               | 765072630 | 0510 |  |
| 73 | Mains cable, UK               | 765072631 | 0510 |  |
| 73 | Mains cable, DK               | 765072632 | 0510 |  |
| 74 | Leg H=100-130 mm              | 765080118 | 0510 |  |
| 75 | Castor w/brake H=125 mm       | 480260050 | 0510 |  |
| 76 | Castor                        | 480270520 | 0510 |  |
| 77 | Screw M8x16                   | 422715065 | 0510 |  |
| 78 | Bracket for evaporator heater | 761222779 | 0510 |  |
| 79 | Condenser fan complete        | 761221780 | 0510 |  |



**Gram Commercial**  
**Technical information**

765041484

Description :

**Spare parts list for  
BioCompact / BioCompact II RF 310**

| Compiled. |      | Latest revision. |      |        | Deleted. |      |
|-----------|------|------------------|------|--------|----------|------|
| Date      | Name | Date             | Name | Rev.no | Date     | Name |
| 25.01.12  | JP   | 21.09.22         | JP   | 020    |          |      |

| Item no. | Description                              | Gram part no. | Week/year<br>Issued | Deleted |
|----------|--|---------------|---------------------|---------|
| 80       | Screw M4x70                              | 420178125     | 0510                |         |
| 81       | Screw M4x16                              | 422701019     | 0510                |         |
| 82       | Fan wire                                 | 765072646     | 0510                |         |
| 83       | Heater wire incl thermal limiter         | 765073327     | 0510                |         |
| 84       | Insulation plug                          | 765080563     | 0510                |         |
| 85       | Plastic cap                              | 501020023     | 0510                |         |
| 86       | Liquid container                         | 765080384     | 0510                |         |
| 87       | Bracket f. liquid container              | 761256451     | 0510                |         |
| 88       | Cap for programming cable                | 765080566     | 0510                |         |
| 89       | Cover plug, white                        | 765081247     | 0510                |         |
| 89       | Cover plug, grey                         | 765081248     | 0510                |         |
| 90       | Modular connector                        | 453570037     | 0510                |         |
| 91       | Brace for mains cable                    | 761230215     | 0510                |         |
| 92       | Rubber gasket                            | 761223110     | 0811                |         |
| 93       | Cover plug, grey                         | 765080501     | 0510                |         |
| 93       | Cover plug, white                        | 765080504     | 0510                |         |
| 94       | Cover bracket, white                     | 761222758     | 1111                |         |
| 94       | Cover bracket, grey                      | 761222759     | 1111                |         |
| 100      | Foot pedal complete                      | 819581052     | 0911                |         |
| 101      | Bracket for pedal                        | 761224006     | 0911                |         |
| 102      | Pedal arm                                | 761224002     | 0911                |         |
| 103      | Spindle                                  | 761224007     | 0911                |         |
| 104      | Spring                                   | 761224005     | 0911                |         |
| 105      | Plastic cap                              | 581400021     | 0911                |         |
| 106      | Bush                                     | 761224008     | 0911                |         |
| 150      | Door complete, stainless                 | 761232754     | 0510                |         |
| 150      | Door compl., stainless, selfclose, right | 761232936     | 4314                |         |
| 150      | Door compl., stainless, selfclose, left  | 761232946     | 4314                |         |
| 150      | Door complete, white                     | 761232759     | 0510                |         |
| 150      | Door compl., white, selfclose, right     | 761232937     | 4314                |         |
| 150      | Door compl., white, selfclose, left      | 761232947     | 4314                |         |
| 151      | Self-close device                        | 763251779     | 4314                |         |
| 152      | Neoprene strip ø 5                       | 470490036     | 4816                |         |
| 153      | Bush                                     | 761220936     | 0510                |         |

Description :

**Spare parts list for  
BioCompact / BioCompact II RF 310**

| Compiled. |      | Latest revision. |      |        | Deleted. |      |
|-----------|------|------------------|------|--------|----------|------|
| Date      | Name | Date             | Name | Rev.no | Date     | Name |
| 25.01.12  | JP   | 21.09.22         | JP   | 020    |          |      |

| Item no.                   | Description                 | Gram part no. | Week/year<br>Issued | Deleted |
|----------------------------|-----------------------------|---------------|---------------------|---------|
| <u>Interior equipment:</u> |                             |               |                     |         |
| 200                        | Wire shelf large, grey      | 818721020     | 0510                |         |
| 200                        | Wire shelf large, white     | 818721001     | 0510                |         |
| 200                        | Wire shelf large, stainless | 818721006     | 0510                |         |
| 201                        | Wire shelf small, grey      | 818721021     | 0510                |         |
| 201                        | Wire shelf small, white     | 818721019     | 0510                |         |
| 201                        | Wire shelf small, stainless | 818721007     | 0510                |         |
| 202                        | Perforated shelf, large     | 761230416     | 0510                |         |
| 203                        | Perforated shelf, small     | 761230417     | 0510                |         |
| 210                        | Alu drawer complete, large  | 761230456     | 0510                |         |
| 211                        | Set of sliding rails        | 761230317     | 0510                |         |
| 212                        | T-profile                   | 761230442     | 0510                |         |
| 213                        | Plastic clip                | 761230044     | 0510                |         |
| 214                        | Divider rail                | 761230435     | 0510                |         |
| 215                        | Holder for divider rail     | 761230436     | 0510                |         |
| 216                        | Plastic divider 1           | 761230021     | 0510                |         |
| 217                        | Plastic divider 2           | 761230022     | 0510                |         |
| 218                        | Centre screw M6x20          | 420788200     | 0510                |         |
| 220                        | Alu drawer complete, small  | 761230457     | 0510                |         |
| 221                        | Set of sliding rails        | 761230347     | 0510                |         |
| 222                        | T-profile                   | 761230447     | 0510                |         |
| 223                        | Plastic clip                | 761230044     | 0510                |         |
| 224                        | Divider rail                | 761230448     | 0510                |         |
| 225                        | Holder for divider rail     | 761230436     | 0510                |         |
| 226                        | Plastic divider 1           | 761230021     | 0510                |         |
| 227                        | Plastic divider 2           | 761230022     | 0510                |         |
| 228                        | Centre screw M6x20          | 420788200     | 0510                |         |
| 230                        | Wire drawer, large          | 761232966     | 0510                |         |
| 231                        | Wire drawer, small          | 761232967     | 0510                |         |
| 240                        | Wire basket, large          | 818721022     | 0510                |         |
| 241                        | Wire basket, small          | 818721029     | 0510                |         |
| 250                        | Plastic drawer complete     | 761230972     | 4312                |         |
| 251                        | Bracket for drawer, front   | 761230957     | 4312                |         |
| 252                        | Bracket for drawer, back    | 761233290     | 4312                |         |
| 253                        | Set of sliding rails        | 761230428     | 4312                |         |
| 254                        | Plastic divider 1           | 761230021     | 4312                |         |
| 255                        | Plastic divider 2           | 761230022     | 4312                |         |
| 256                        | Divider rail                | 761230088     | 4312                |         |