

*Spare parts - BioPlus / BioBlood*  
*EF/PF 600/660 W*

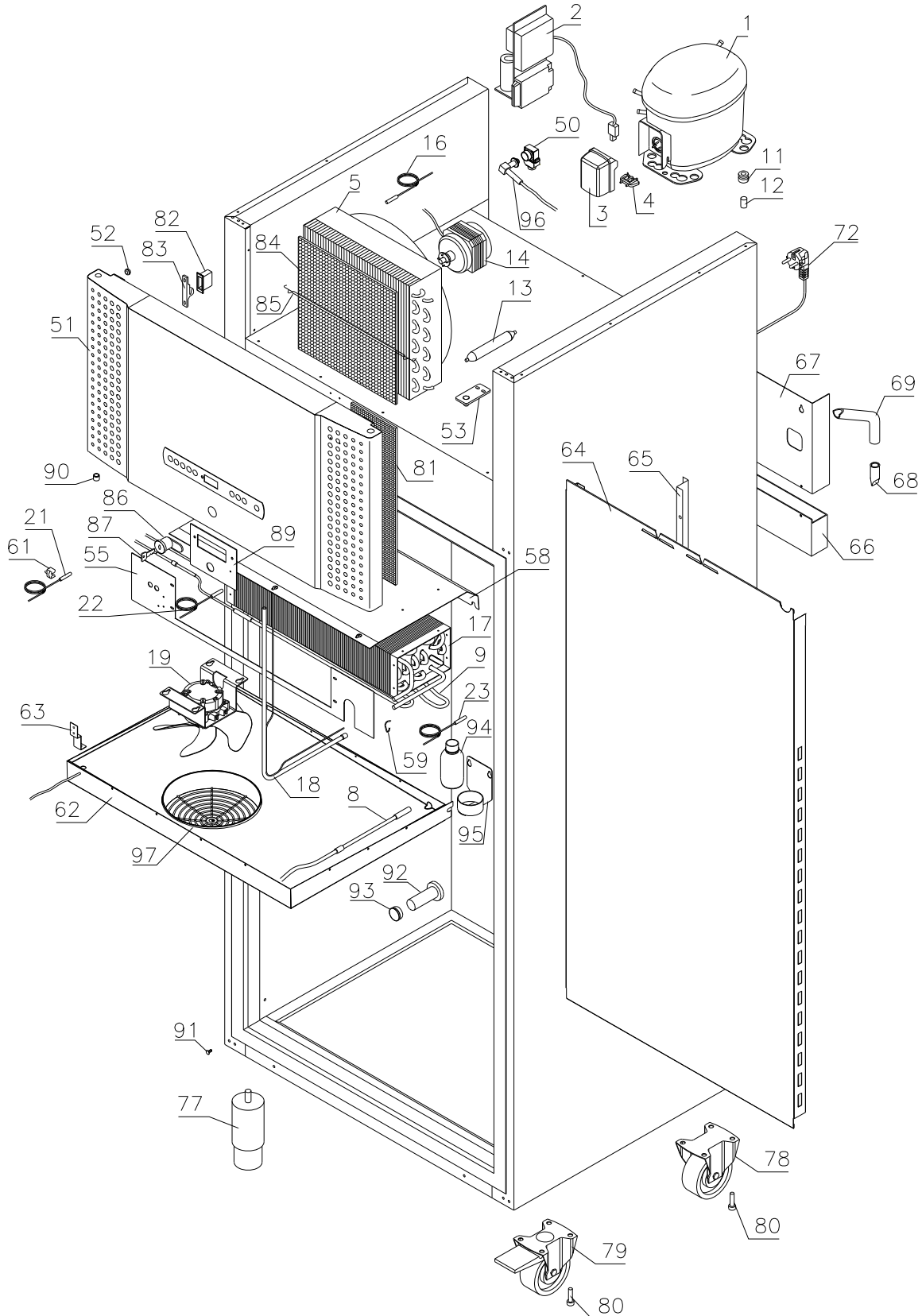


Description :

Spare parts list for BioPlus / BioBlood  
EF/PF 600/660 W

Compiled.		Latest revision.			Discontinued	
Date	Name	Date	Name	Rev.no	Date	Name
07.04.09	JP	06.10.20	JP	022		

EF/PF 600/660 W – single compressor models

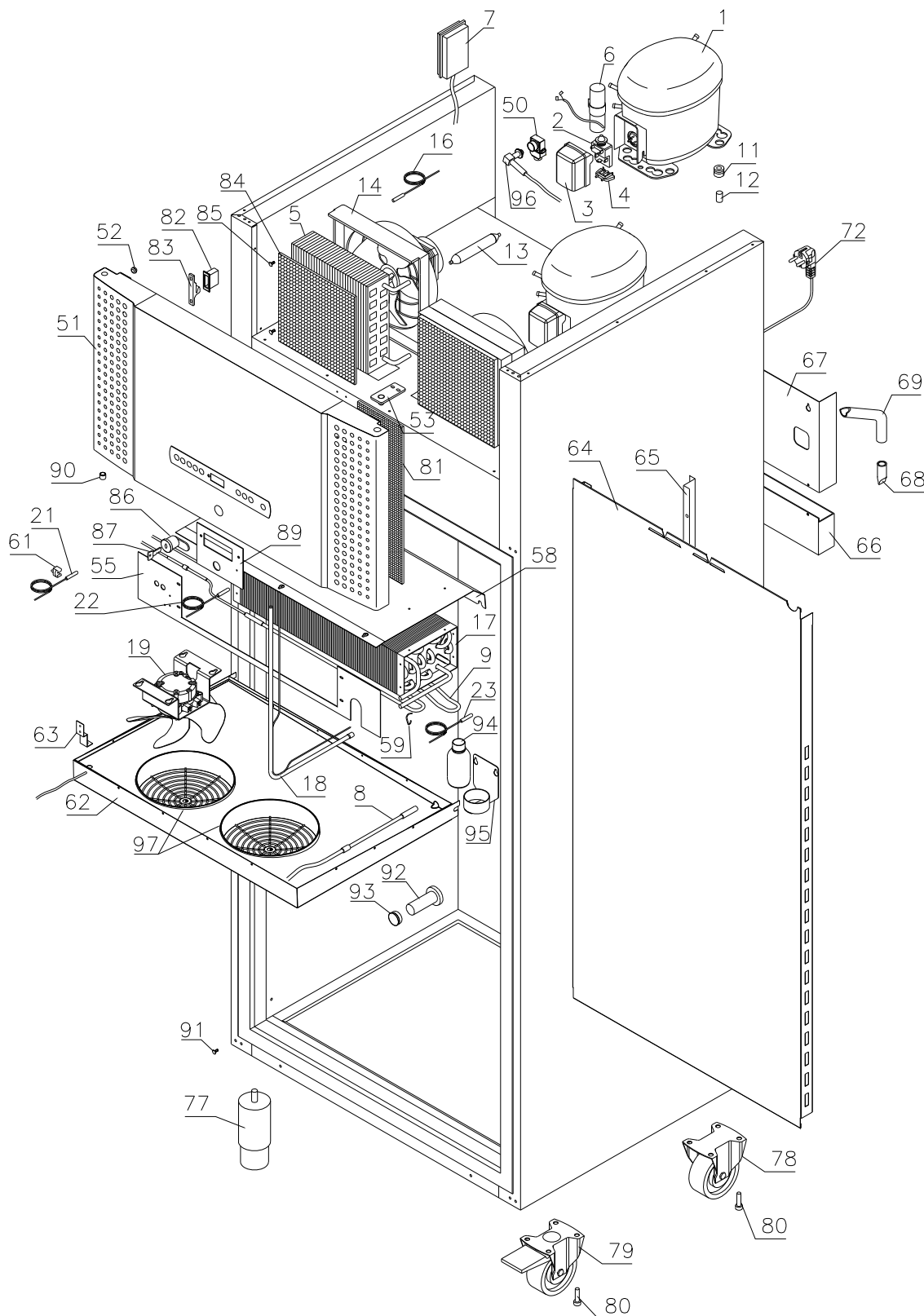


Description :

Spare parts list for BioPlus / BioBlood  
EF/PF 600/660 W

Compiled.		Latest revision.			Discontinued	
Date	Name	Date	Name	Rev.no	Date	Name
07.04.09	JP	06.10.20	JP	022		

EF/PF 600/660 W – dual compressor models



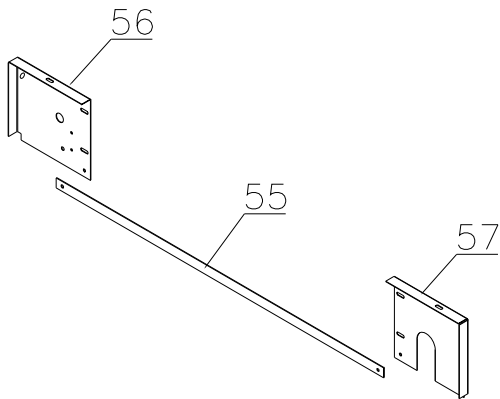
Description :

Spare parts list for BioPlus / BioBlood  
EF/PF 600/660 W

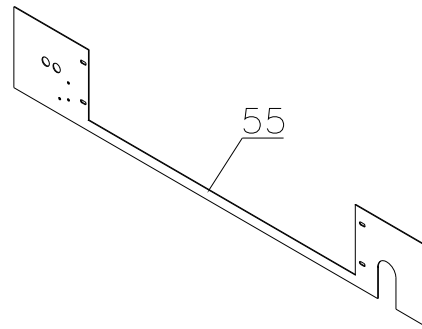
Compiled.		Latest revision.			Discontinued	
Date	Name	Date	Name	Rev.no	Date	Name
07.04.09	JP	06.10.20	JP	022		

Evaporator cover

1007 – 1009

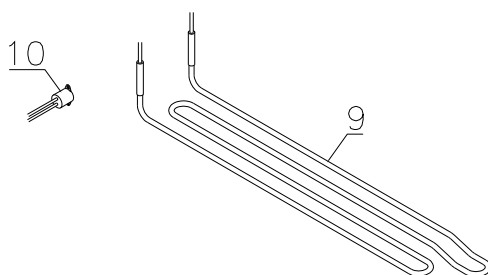


1009 -

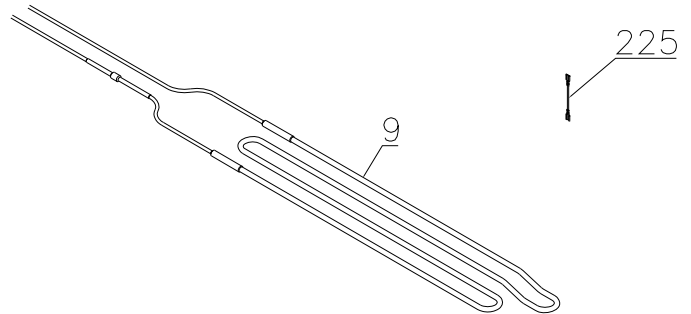


Defrost heater

1007 – 2811

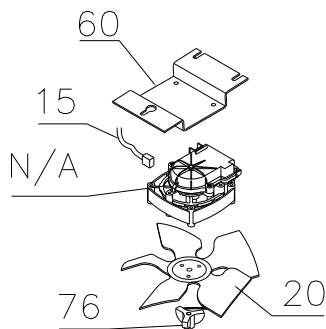


2811 -

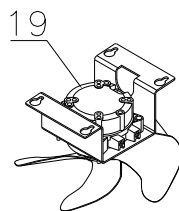


Evaporator fan

1007 – 3620



3620 -



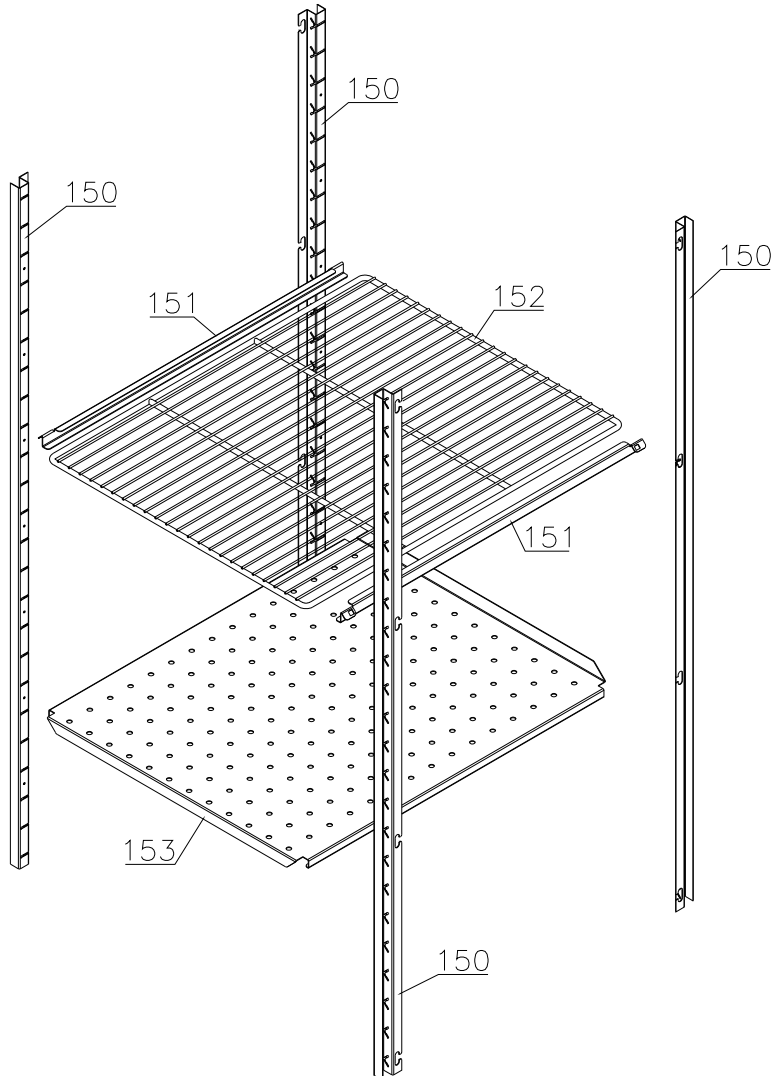
Description :

**Spare parts list for BioPlus / BioBlood  
 EF/PF 600/660 W**

Compiled.		Latest revision.			Discontinued	
Date	Name	Date	Name	Rev.no	Date	Name
07.04.09	JP	06.10.20	JP	022		

**Interior equipment**

Shelves:

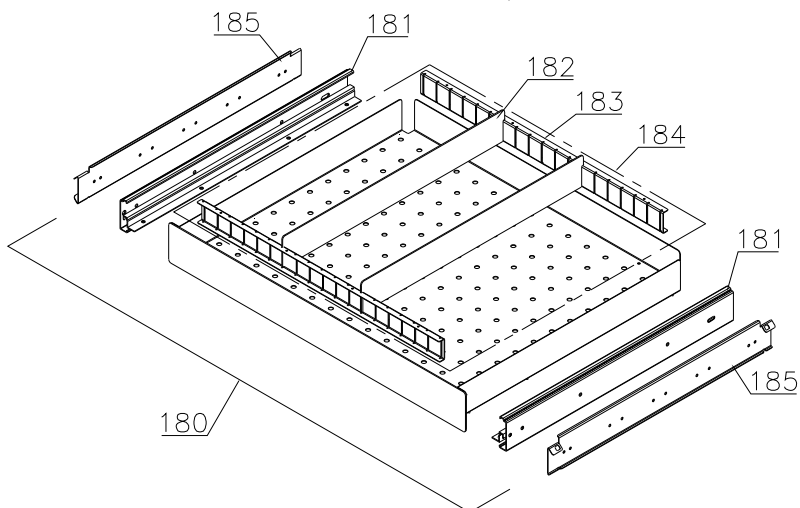
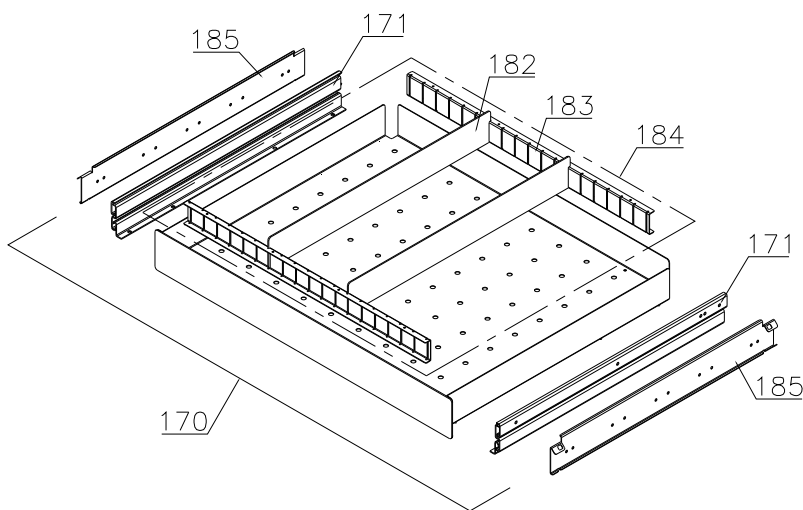
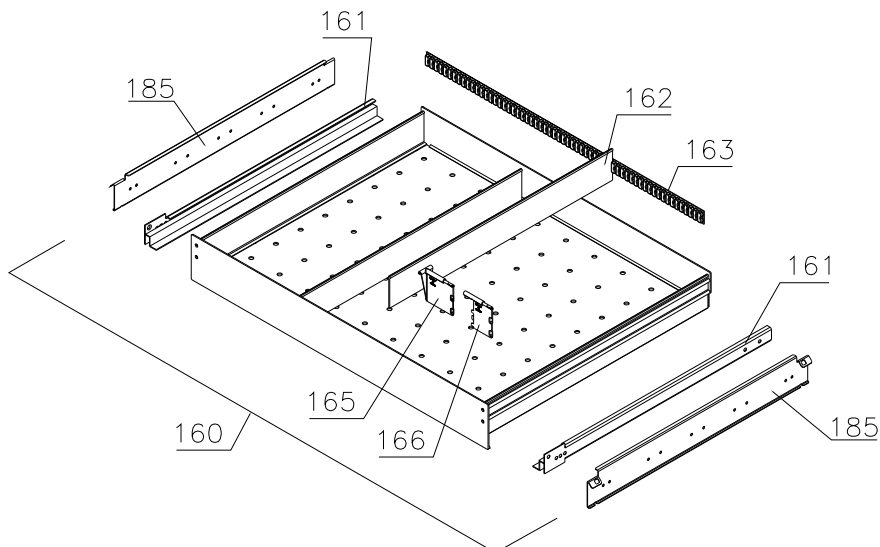


Description :

**Spare parts list for BioPlus / BioBlood  
EF/PF 600/660 W**

Compiled.		Latest revision.			Discontinued	
Date	Name	Date	Name	Rev.no	Date	Name
07.04.09	JP	06.10.20	JP	022		

Drawers:



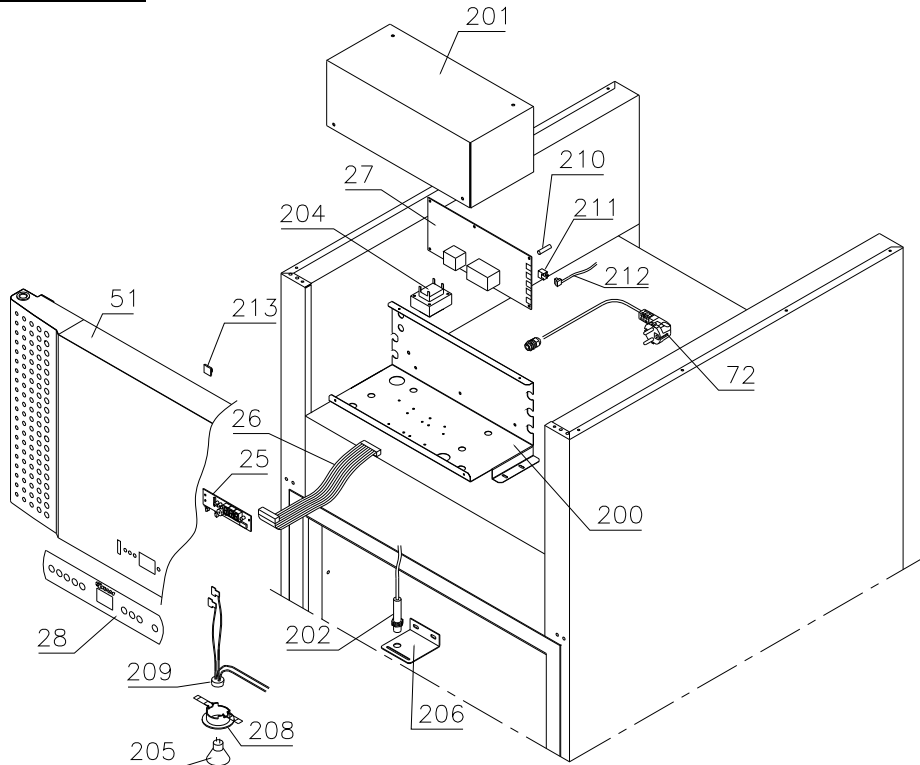
Description :

**Spare parts list for BioPlus / BioBlood  
EF/PF 600/660 W**

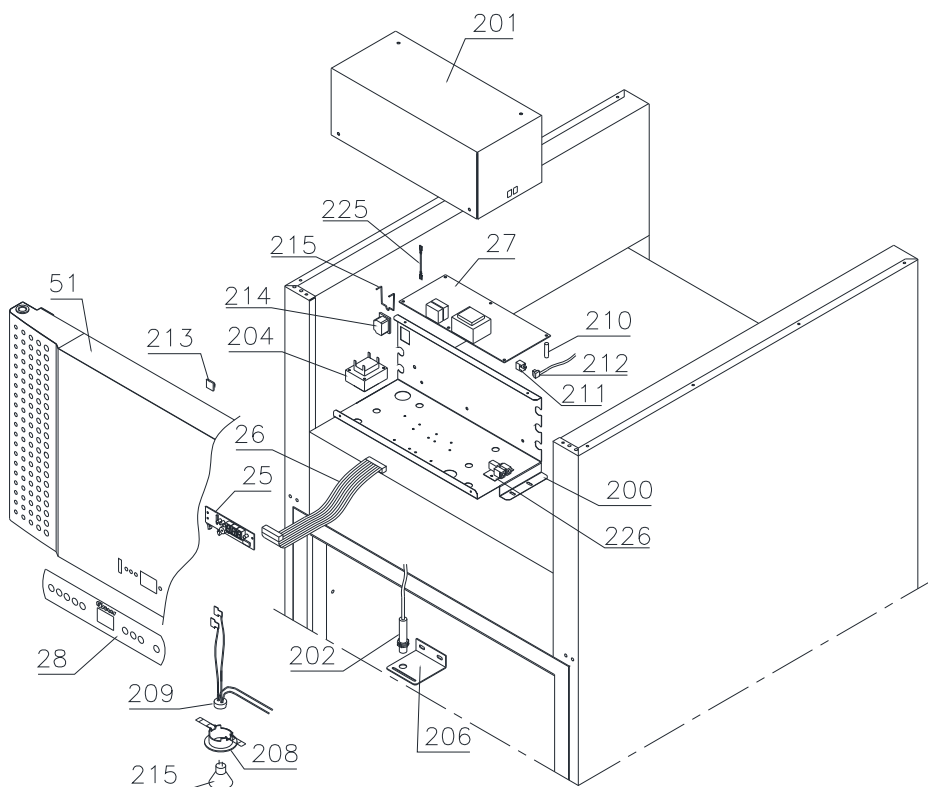
Compiled.		Latest revision.			Discontinued	
Date	Name	Date	Name	Rev.no	Date	Name
07.04.09	JP	06.10.20	JP	022		

**Control panel / electrical parts**

1007 - 1709



1709 - 5015

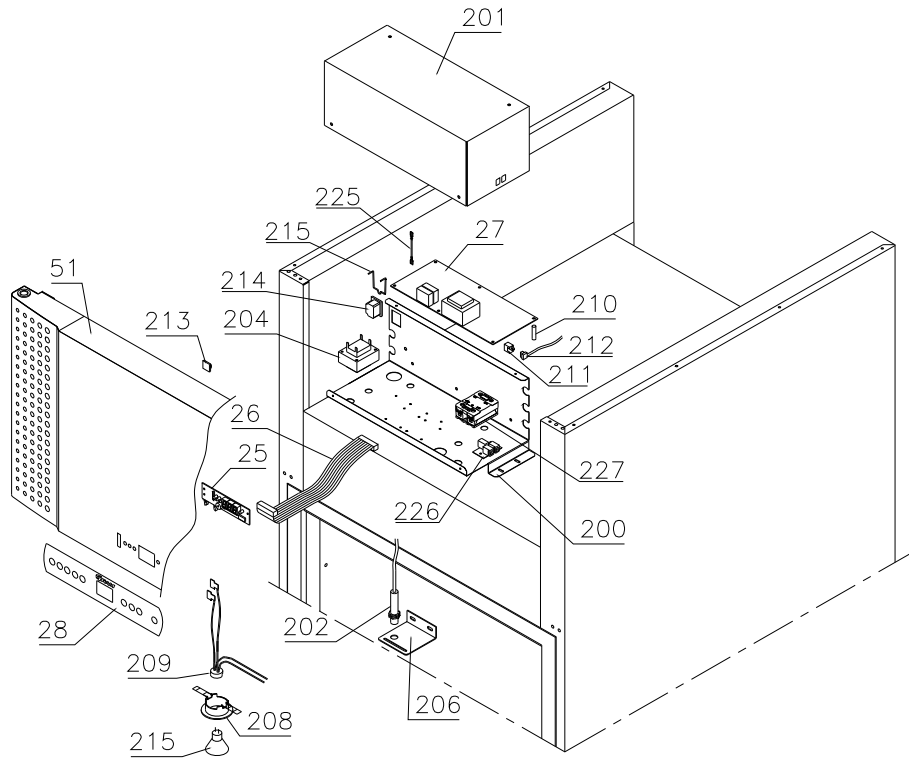


**Description :**

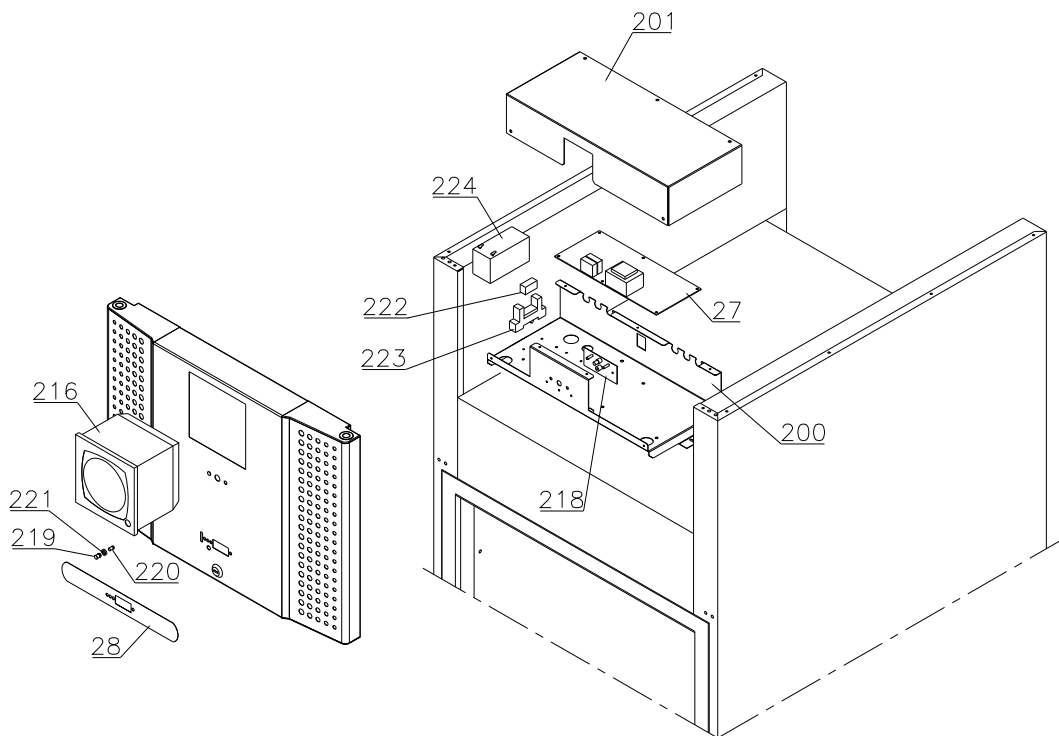
**Spare parts list for BioPlus / BioBlood  
 EF/PF 600/660 W**

Compiled.		Latest revision.			Discontinued	
Date	Name	Date	Name	Rev.no	Date	Name
07.04.09	JP	06.10.20	JP	022		

**5015 -**



**Optional parts**





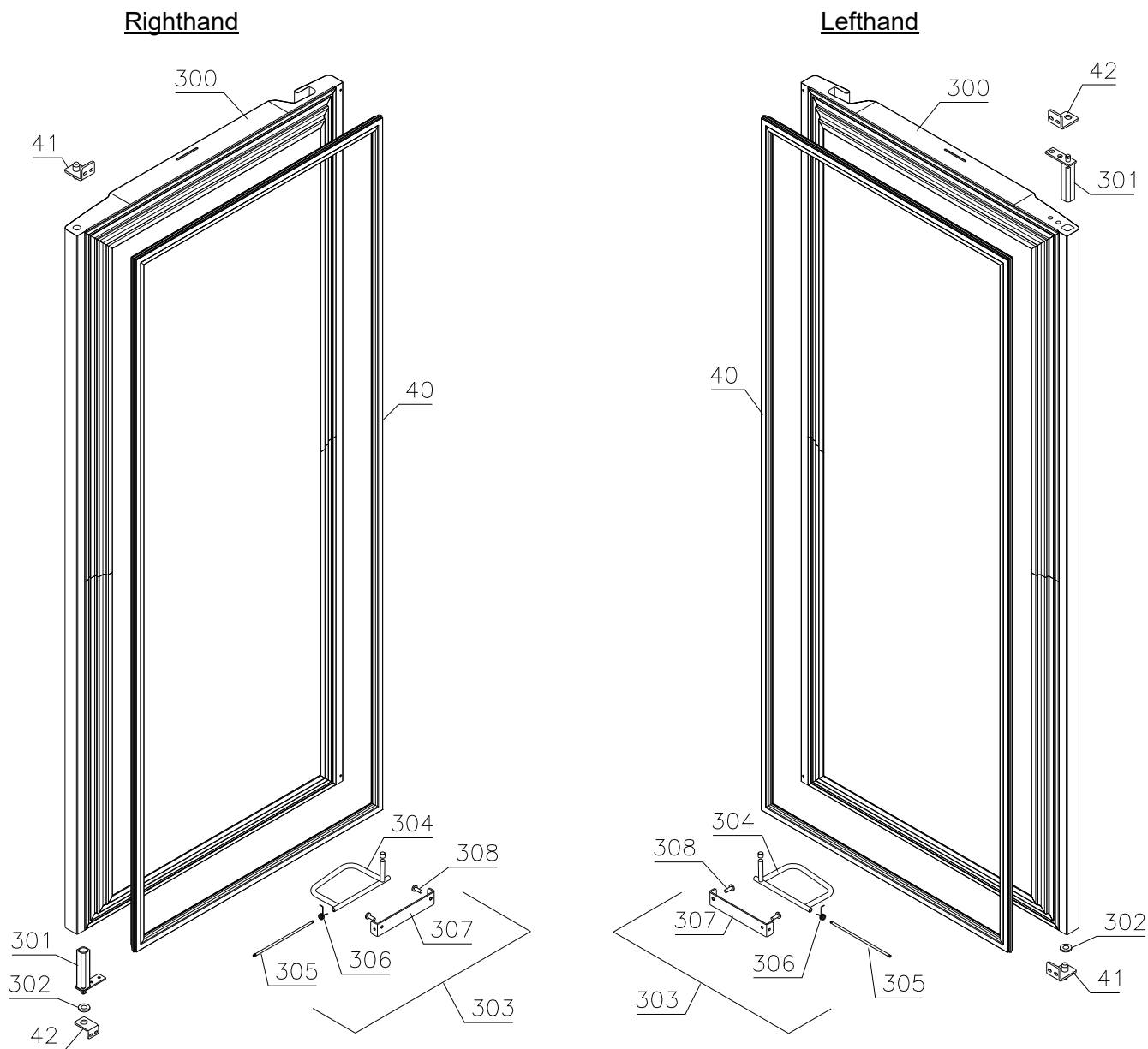
Description :

**Spare parts list for BioPlus / BioBlood  
EF/PF 600/660 W**

Compiled.		Latest revision.			Discontinued	
Date	Name	Date	Name	Rev.no	Date	Name
07.04.09	JP	06.10.20	JP	022		

**Door**

1007 - 2111

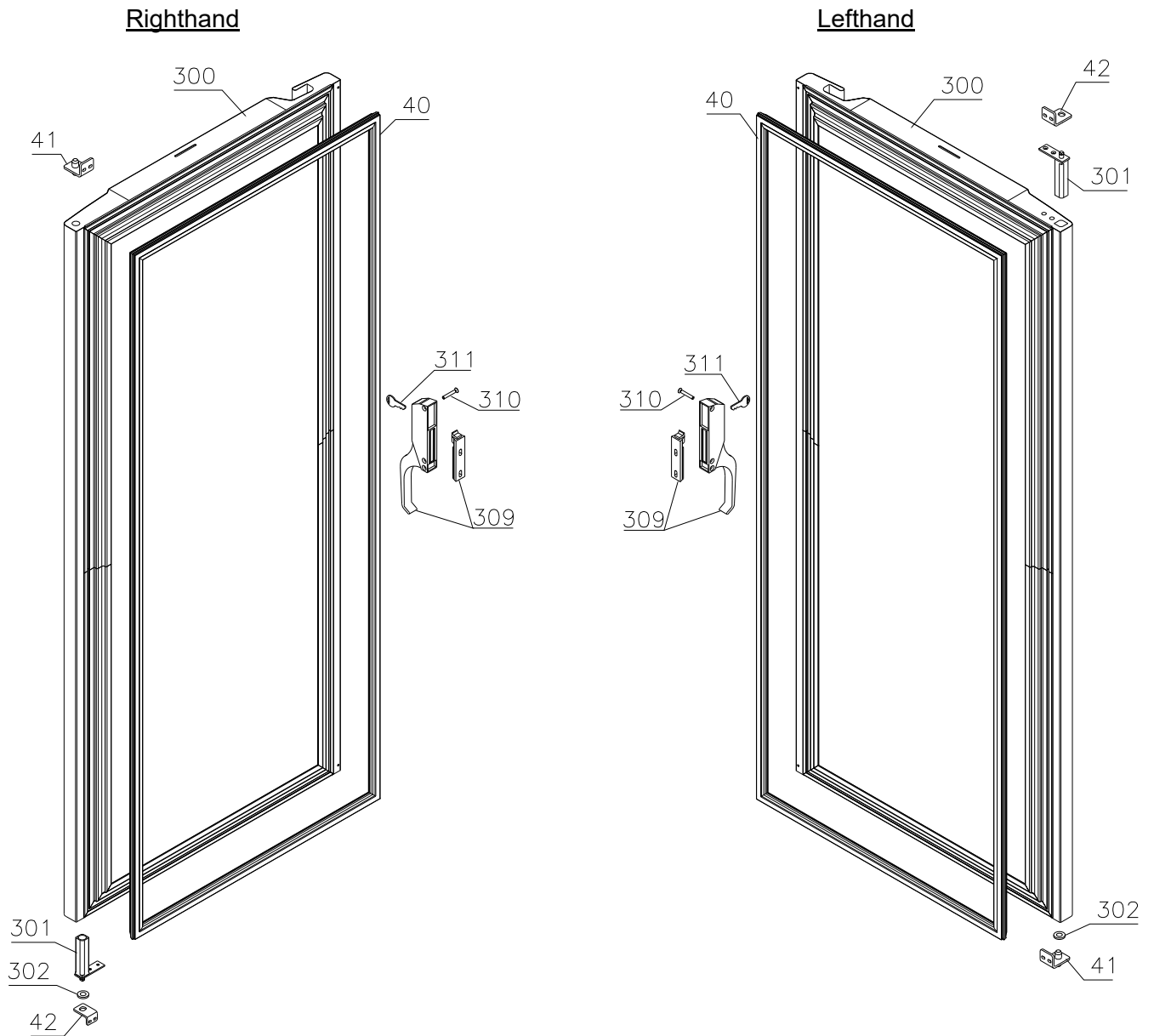


Description :

**Spare parts list for BioPlus / BioBlood  
EF/PF 600/660 W**

Compiled.		Latest revision.			Discontinued	
Date	Name	Date	Name	Rev.no	Date	Name
07.04.09	JP	06.10.20	JP	022		

2111 -

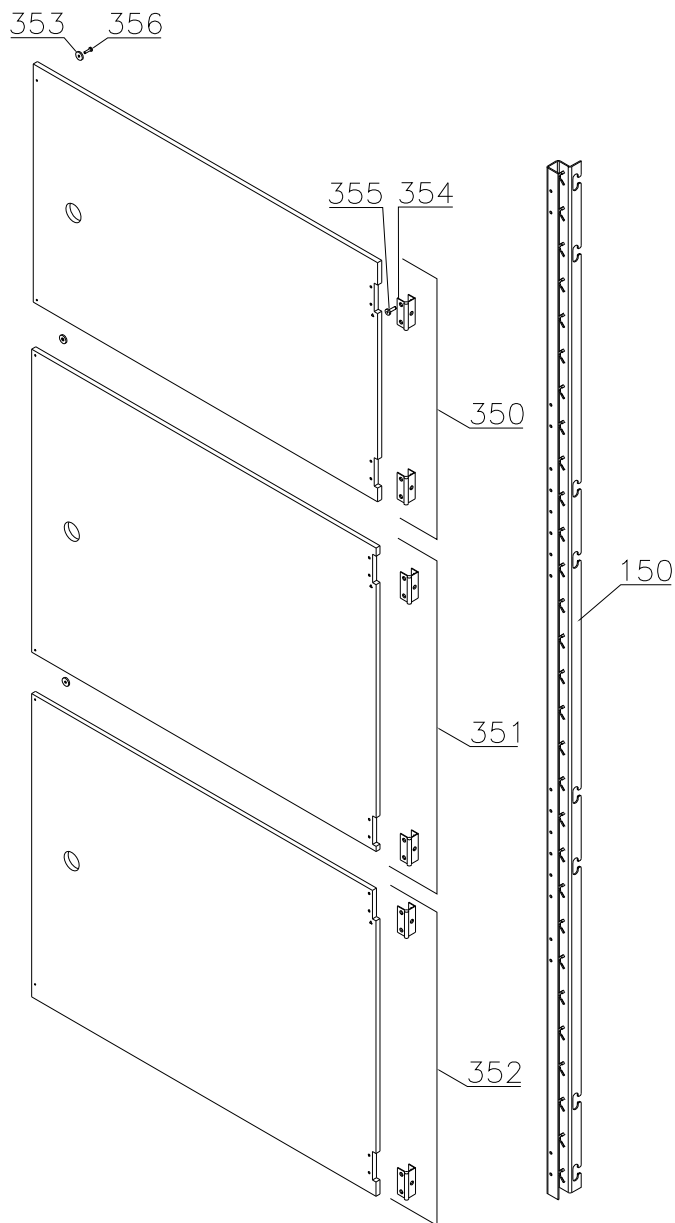


Description :

**Spare parts list for BioPlus / BioBlood  
EF/PF 600/660 W**

Compiled.		Latest revision.			Discontinued	
Date	Name	Date	Name	Rev.no	Date	Name
07.04.09	JP	06.10.20	JP	022		

**Draught shields**



Description :

**Spare parts list for BioPlus / BioBlood  
EF/PF 600/660 W**

Compiled.		Latest revision.			Discontinued	
Date	Name	Date	Name	Rev.no	Date	Name
07.04.09	JP	06.10.20	JP	022		

Item No.	Description	Gram part No.	week/year Issued	week/year Deleted
----------	-------------	---------------	---------------------	----------------------

**Essential spare parts**

Refrigeration system/cabinet

EF/PF 600/660 W ..G (R290) - single compressor:

1	Compressor SC 18 CNX	502900004	1007
2	Starting device	453050041	1007
3	Cover	452440280	1007
4	Cord relief	452440292	1007
5	Condenser	762900020	1007

EF/PF 600/660 W ..G (R290) - dual compressors:

1	Compressor SC 15 CNX	502900007	1007
2	Starting relay	410589041	1007
3	Cover	452440280	1007
4	Cord relief	452440292	1007
5	Condenser	762900020	1007
6	Start capacitor	451720019	1007

EF/PF 600/660 W ..H (R404A) - single compressor:

1	Compressor SC 18 CL	500520304	1007
2	Starting device	453051001	1007
3	Cover	452440280	1007
4	Cord relief	452440292	1007
5	Condenser	762900020	1007

EF/PF 600/660 W ..H (R404A) - dual compressors:

1	Compressor SC 12 CLX.2	500520257	1007
2	Starting relay	410589038	1007
3	Cover	452440291	1007
4	Cord relief	452440292	1007
5	Condenser	765080163	1007
6	Start capacitor	451720019	1007
7	Timer relay	450200150	1007

Description :

**Spare parts list for BioPlus / BioBlood  
EF/PF 600/660 W**

Compiled.		Latest revision.			Discontinued	
Date	Name	Date	Name	Rev.no	Date	Name
07.04.09	JP	06.10.20	JP	022		

Item No.	Description	Gram part No.	week/year Issued	week/year Deleted
----------	-------------	---------------	---------------------	----------------------

Common parts:

8	Drip water heater 6,5 W	765071698	1007	
9	Defrost heating element 350 W	765071819	1007	
10	Overheat safety thermostat	765070828	1007	2811
11	Rubber foot	760080519	1007	
12	Bush	760080521	1007	
13	Filter drier	762900157	1007	
14	Condenser fan motor	single compr. 760071617	1007	
14	Condenser fan guard complete	dual compr. 765080188	1007	
15	Wire for fan motor	612900400	1007	
16	Condenser sensor	453531500	1007	
17	Evaporator complete	single compr. 762900090	1007	
17	Evaporator complete	dual compr. 761254749	1007	
17	Evaporator	single compr. 765080185	1007	
17	Evaporator	dual compr. 765080178	1007	
18	Heat exchanger	762900060	1007	
19	Evaporator fan complete	761234098	1007	
20	Fan blade, ø200	612900201	1007	3620
21	Cabinet sensor	453531500	1007	
22	Defrost sensor	453531501	1007	0712
22	Defrost sensor	453531504	0712	
23	E-sensor	453531504	1007	

Control panel:

25	Electronic control, display part	612900056	1007	
26	Band cable L=1200	453582046	1007	
27	Electr. contr., power part – E1+	761256140	1007	
27	Electr. contr., power part – E1+ batt.alm.	761256148	1007	
28	Label with keys	765041752	1007	

Door:

40	Door gasket	600	761259246	1007
40	Door gasket	660	761259247	1007
41	Hinge, upper right/bottom left		761258923	1007
42	Hinge, bottom right/upper left		761258998	1007

Description :

**Spare parts list for BioPlus / BioBlood  
EF/PF 600/660 W**

Compiled.		Latest revision.			Discontinued	
Date	Name	Date	Name	Rev.no	Date	Name
07.04.09	JP	06.10.20	JP	022		

Item No.	Description	Gram part No.	week/year Issued	week/year Deleted
----------	-------------	---------------	---------------------	----------------------

**Other spare parts**

Cabinet

50	Air relief valve		765081206	1007	
51	Front panel, stainless		761231464	1007	
51	Front panel, white		761231465	1007	
52	Front panel plug		760250272	1007	
53	Hinge for front panel		761258926	1007	
55	Cover rail for evaporator		761254449	1007	1009
55	Cover for evaporator (one piece)		761254469	1009	
56	Cover plate, left		761255454	1007	1009
57	Cover plate, right		761255453	1007	1009
58	Suspension plate for evaporator		761255455	1007	
59	Heating element bracket		761254427	1007	
60	Fan holder		761258499	1007	3620
61	Cable clip		452470001	1007	
62	Drip tray, insulated	single compr.	761256048	1007	
62	Drip tray, insulated	dual compr.	761256044	1007	
63	Holder for drip water tray		761253441	1007	4209
63	Holder for drip water tray		761253442	4209	
64	Air distribution plate	600	761254480	1007	
64	Air distribution plate	660	761254481	1007	
65	Rail for air distribution plate		760243634	1007	
66	Re-evaporation tray		765081149	1007	
67	Cover plate for re-evap. tray		761255383	1007	
68	Water trap		760082891	1007	
69	Drain pipe		765081153	1007	
72	Lead and plug, DK 3-pin		765072555	1007	
72	Lead and plug, Schuko		765072554	1007	
72	Lead and plug, GB		765072553	1007	

Description :

**Spare parts list for BioPlus / BioBlood  
EF/PF 600/660 W**

Compiled.		Latest revision.			Discontinued	
Date	Name	Date	Name	Rev.no	Date	Name
07.04.09	JP	06.10.20	JP	022		

Item No.	Description	Gram part No.	week/year Issued	week/year Deleted
76	Screw for fan blade	612900100	1007	3620
77	Leg, stainless H=135-200	765080115	1007	
78	Fixed wheel, H=125	480270520	1007	
79	Castor wheel, with brake	480260050	1007	
80	Screw M8 x 12	420050100	1007	
81	Front panel filter	761258491	1007	
82	Front panel close latch	761253307	1007	
83	Front panel close keeper	761253301	1007	
84	Condenser filter	single compr. 761114423	1007	
84	Condenser filter	dual compr. 761114415	1007	
85	Attachment spring	single compr. 762110375	1007	
85	Attachment plug	dual compr. 765081233	1007	
86	Door lock	765080092	1007	
87	Key no. 1 (25010)	765080340	1007	
87	Key no. 2 (25020)	765080341	1007	
87	Key no. 3 (25030)	765080342	1007	
87	Key no. 4 (25040)	765080343	1007	
87	Key no. 5 (25050)	765080344	1007	
87	Master key	765080385	1007	
89	Bracket for lock	761258747	1007	
90	Bush ø12	761254345	1007	
91	Cap for M5 hole	grey 765080501	1007	
91	Cap for M5 hole	white 765080504	1007	
92	Insulation plug	765080563	2309	
93	Plastic cap	501020023	2309	
94	Liquid container	765080384	1007	
95	Holder for liquid container	761256497	1007	
96	Air valve heater	765072017	1810	
97	Fan guard	765081239	0509	

Description :

**Spare parts list for BioPlus / BioBlood  
EF/PF 600/660 W**

Compiled.		Latest revision.			Discontinued	
Date	Name	Date	Name	Rev.no	Date	Name
07.04.09	JP	06.10.20	JP	022		

Item No.	Description	Gram part No.	week/year Issued	week/year Deleted
----------	-------------	---------------	---------------------	----------------------

Interior equipment:

150	Wall rail	600	761256462	1007
150	Wall rail	660	761256454	1007
150	Wall rail, front - for internal doors	600	761230295	4209
150	Wall rail, front - for internal doors	660	761230296	4209
151	Shelf support rail (single piece)		760248857	1007
151	Shelf support rail (set of 2)		818790030	1007
152	Stainless wire shelf		818799967	1007
152	Stainless wire shelf / internal doors		765080403	3210
152	Grey wire shelf		818799968	1007
153	Perforated shelf, stainless		761230058	1007
160	Alu drawer, complete		761230030	1007
161	Set of sliding rails		761234056	1007
162	Divider rail		761230053	1007
163	Holder for divider rail		761230366	1007
165	Plastic divider 1		761230021	1007
166	Plastic divider 2		761230022	1007
170	Stainless drawer, complete 30 kg		761231233	1007
171	Set of sliding rails		761234007	1007
180	BioBlood drawer, complete 40 kg		761231200	1008
181	Set of sliding rails		761234057	1008
182	Divider, stainless		761230312	2409
183	Holder for divider, stainless		761230311	2409
184	Divider set complete		761231449	2409
185	Support for sliding rail		761230218	1008



Description :

**Spare parts list for BioPlus / BioBlood  
EF/PF 600/660 W**

Compiled.		Latest revision.			Discontinued	
Date	Name	Date	Name	Rev.no	Date	Name
07.04.09	JP	06.10.20	JP	022		

Item No.	Description	Gram part No.	week/year Issued	week/year Deleted
<u>Control panel/electrical parts:</u>				
200	Junction box	761230090	1007	
201	Cover for junction box	761255432	1007	
202	Door switch	450400113	1007	
203	Distance tube L=8.3 mm	765080021	1007	
204	Trafo for lights	760073650	1007	
205	Halogen light 10W	450742002	1007	
206	Bracket for door switch and lock	761259005	1007	
208	Mounting socket for halogen light	761251323	1007	
209	Wiring for halogen light	765071603	1007	
210	Spacer for PCB	451119515	1007	
211	Sensor plug holder	452260601	1007	
212	Sensor plug	452260600	1007	
213	Cable clip	424350001	1007	
214	Appliance inlet	451022002	1709	
215	Brace for mains cable	761230215	1709	
216	Chart recorder	761256438	1007	
218	Battery alarm PCB	453580116	1007	4511
219	Clear glass for LED	765080380	1007	4511
220	Light stick for LED	765080381	1007	4511
221	Spacer for LED	765080382	1007	4511
222	Relay	450200082	1007	4511
223	Relay socket	450200097	1007	4511
224	Battery	130080060	1007	4511
225	Wire for klixon	765072664	2811	
226	Datalogger connector	453570037	4311	2315
227	Solid State relay	450200300	5015	

Description :

**Spare parts list for BioPlus / BioBlood  
EF/PF 600/660 W**

Compiled.		Latest revision.			Discontinued	
Date	Name	Date	Name	Rev.no	Date	Name
07.04.09	JP	06.10.20	JP	022		

Item No.	Description	Gram part No.	week/year Issued	week/year Deleted
----------	-------------	---------------	---------------------	----------------------

Door :

300	Door, stainless	600	761230947	1007	
300	Door, stainless	660	761234013	1007	
300	Door, white	600	761234046	1007	
300	Door, white	660	761230936	1007	
301	Self-close device		761259909	1007	
302	Washer		421708020	1007	
303	Foot pedal complete, lefthand		761258167	1007	2211
303	Foot pedal complete, righthand		761258166	1007	2211
304	Pedal arm, lefthand		761258482	1007	2211
304	Pedal arm, righthand		761258407	1007	2211
305	Pedal spindle		761258406	1007	2211
306	Spring for pedal, lefthand		760251364	1007	2211
306	Spring for pedal, righthand		760251363	1007	2211
307	Bracket for pedal		761258404	1007	2211
308	Screw M5x12		420178203	1007	2211
309	Handle		761257665	2211	
310	Screw		420168209	2211	
311	Key		765080345	2211	

Draught shields:

350	Upper door, complete		761231889	4209	
351	Intermediate door, complete	600	761231890	4209	
351	Intermediate door, complete	660	761231891	4209	
352	Lower door, complete		761231892	4209	
353	Magnet		450401003	4209	
354	Hinge		761230343	4209	
355	Screw for hinge		420168174	4209	
356	Screw for magnet		420168175	4209	