

Spare parts
BioPlus / BioBlood
ER/BR/RF/BF 1270/1400
CG/LG

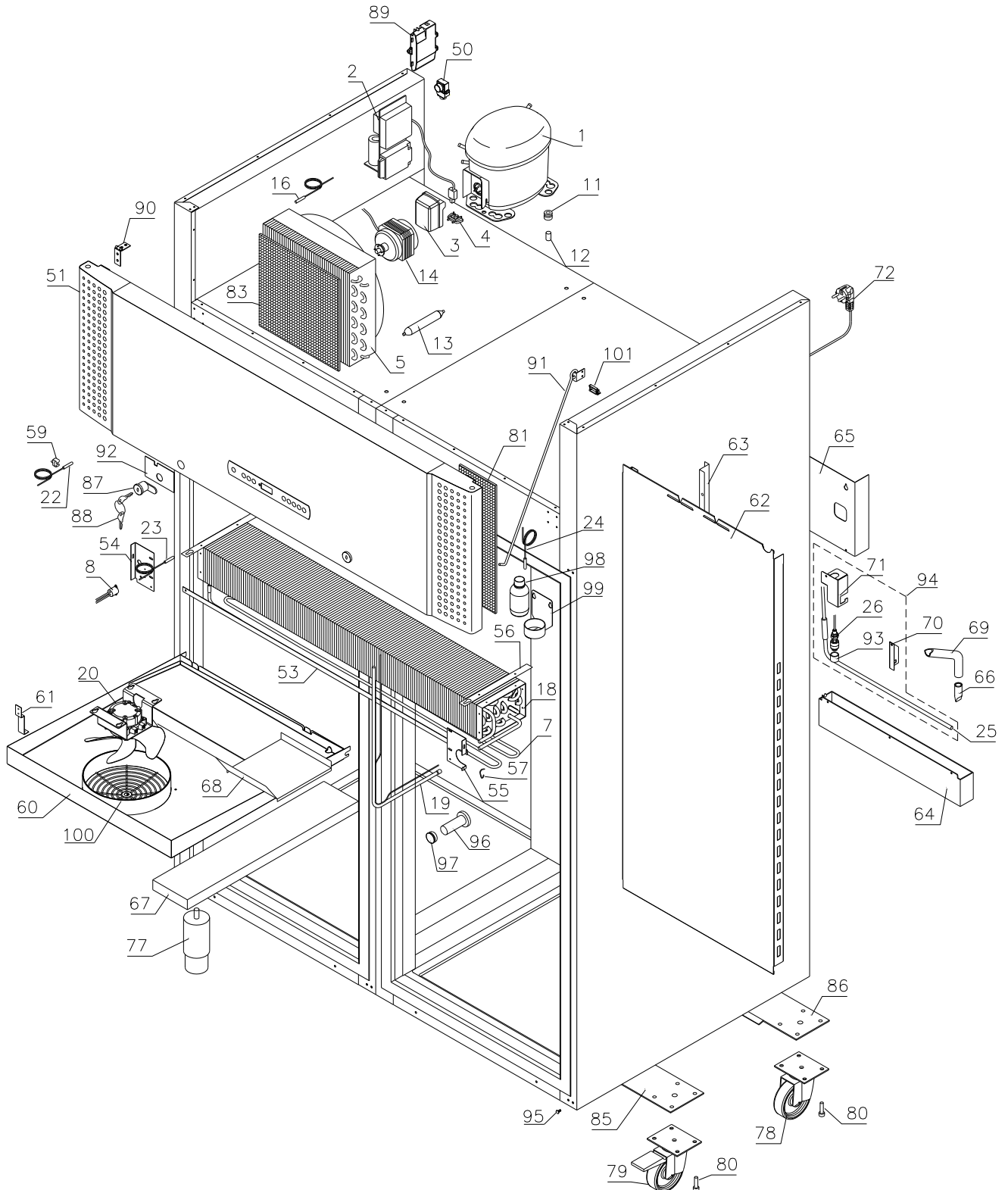


Description :

**Spare parts list for BioPlus/BioBlood
 ER/BR/RF/BF 1270/1400 CG/LG**

| Compiled. | | Latest revision. | | | Discontinued | |
|-----------|------|------------------|------|--------|--------------|------|
| Date | Name | Date | Name | Rev.no | Date | Name |
| 22.06.07 | JP | 06.11.25 | JOLU | 036 | | |

Exploded view – ER/BR 1270/1400

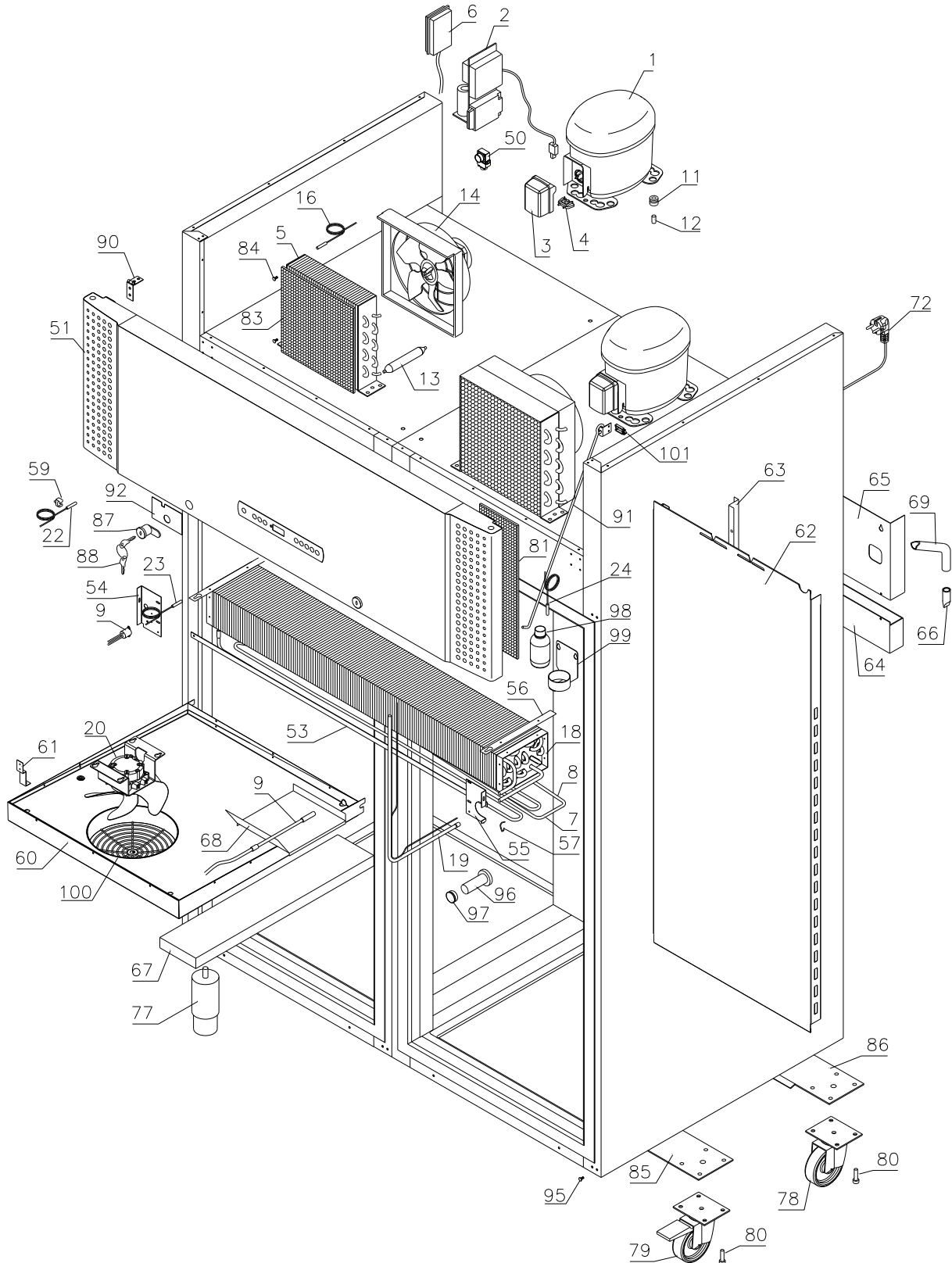


Description :

**Spare parts list for BioPlus/BioBlood
 ER/BR/RF/BF 1270/1400 CG/LG**

| Compiled. | | Latest revision. | | | Discontinued | |
|-----------|------|------------------|------|--------|--------------|------|
| Date | Name | Date | Name | Rev.no | Date | Name |
| 22.06.07 | JP | 06.11.25 | JOLU | 036 | | |

Exploded view – RF/BF 1270/1400



Description :

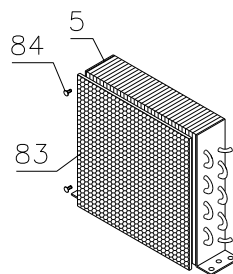
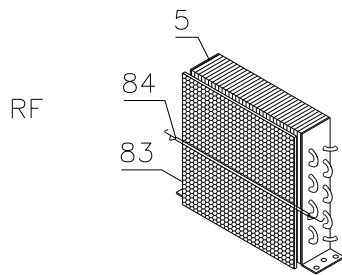
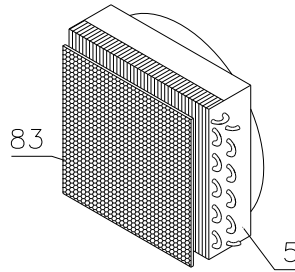
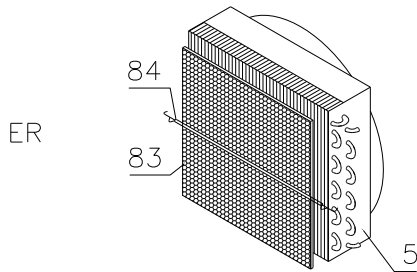
**Spare parts list for BioPlus/BioBlood
 ER/BR/RF/BF 1270/1400 CG/LG**

| Compiled. | | Latest revision. | | | Discontinued | |
|-----------|------|------------------|------|--------|--------------|------|
| Date | Name | Date | Name | Rev.no | Date | Name |
| 22.06.07 | JP | 06.11.25 | JOLU | 036 | | |

Condenser filter

1007 – 2809

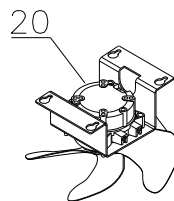
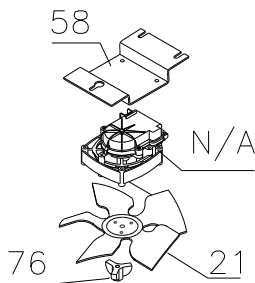
2809 -



Evaporator fan

1007 – 3620

3620 –



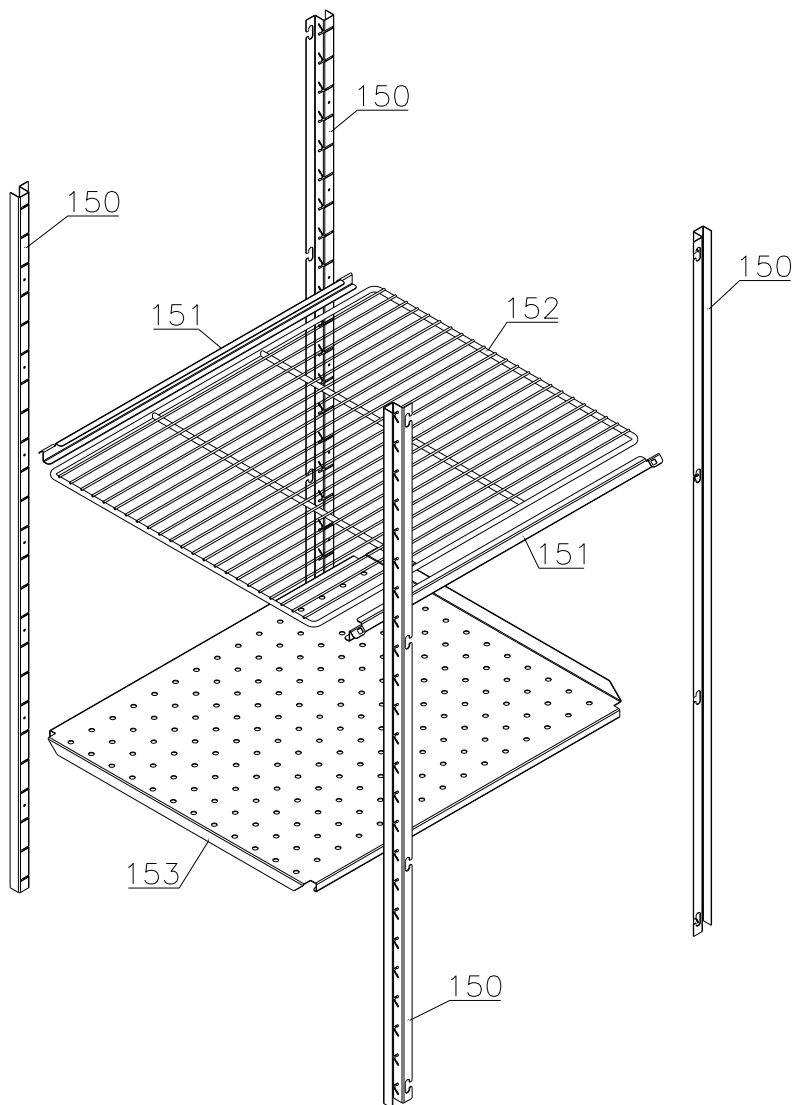
Description :

**Spare parts list for BioPlus/BioBlood
ER/BR/RF/BF 1270/1400 CG/LG**

| Compiled. | | Latest revision. | | | Discontinued | |
|-----------|------|------------------|------|--------|--------------|------|
| Date | Name | Date | Name | Rev.no | Date | Name |
| 22.06.07 | JP | 06.11.25 | JOLU | 036 | | |

Interior equipment

Shelves:

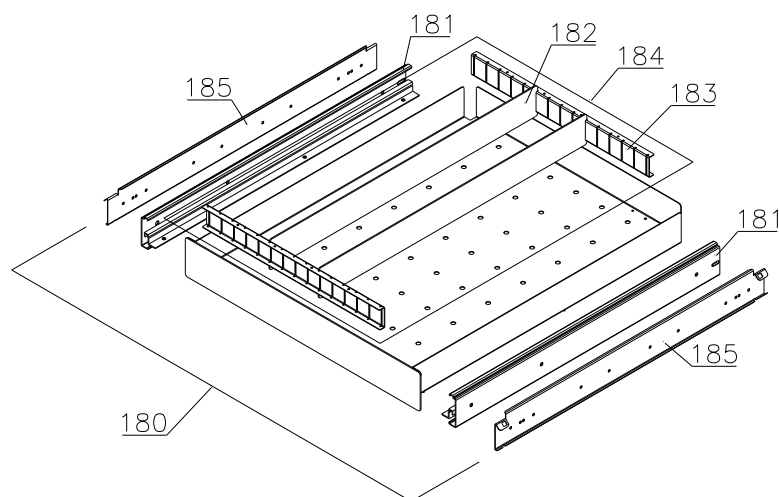
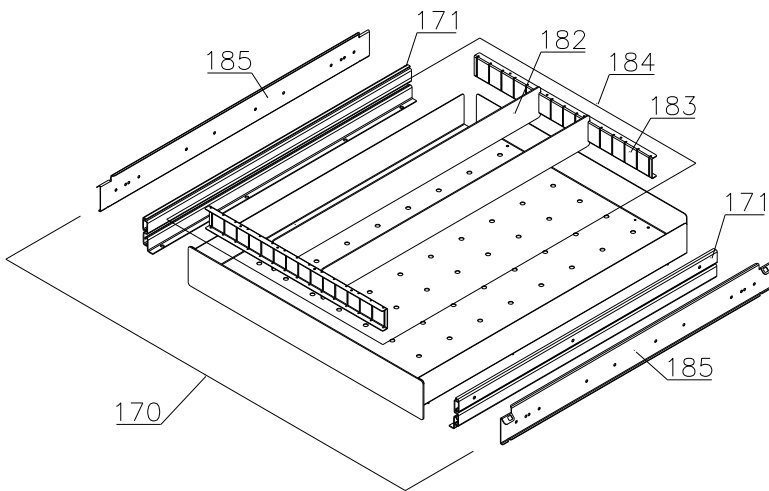
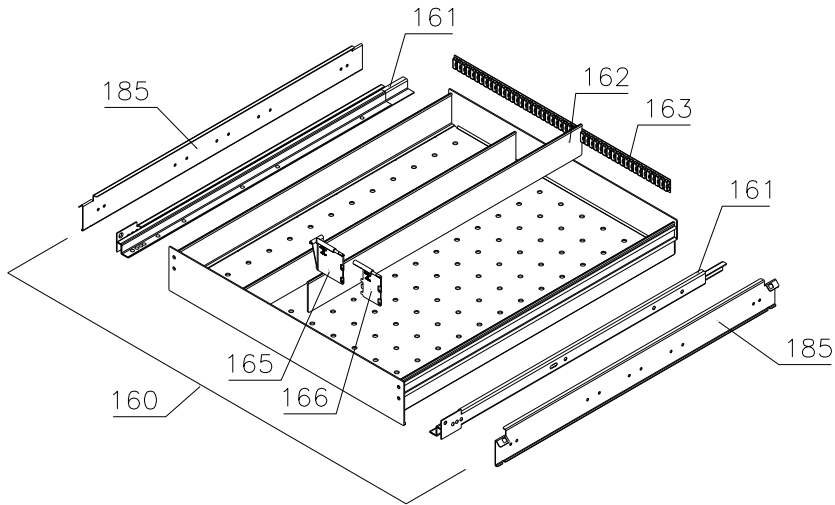


Description :

**Spare parts list for BioPlus/BioBlood
 ER/BR/RF/BF 1270/1400 CG/LG**

| Compiled. | | Latest revision. | | | Discontinued | |
|-----------|------|------------------|------|--------|--------------|------|
| Date | Name | Date | Name | Rev.no | Date | Name |
| 22.06.07 | JP | 06.11.25 | JOLU | 036 | | |

Drawers:



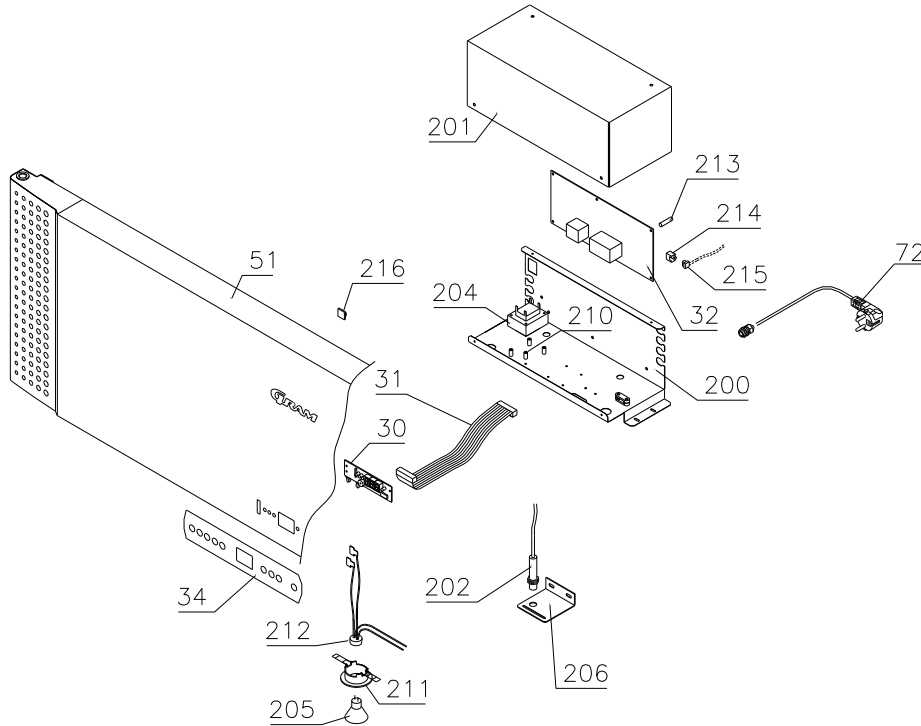
Description :

**Spare parts list for BioPlus/BioBlood
ER/BR/RF/BF 1270/1400 CG/LG**

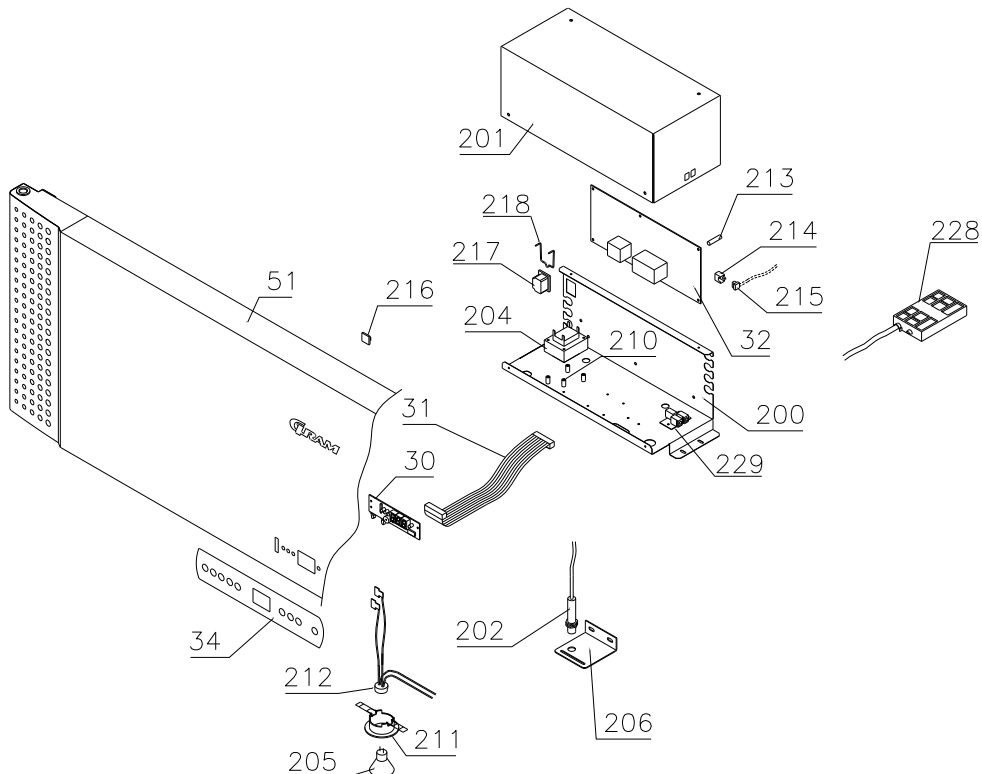
| Compiled. | | Latest revision. | | | Discontinued | |
|-----------|------|------------------|------|--------|--------------|------|
| Date | Name | Date | Name | Rev.no | Date | Name |
| 22.06.07 | JP | 06.11.25 | JOLU | 036 | | |

Control panel/electric parts

1007 - 1709



1709 - 3716

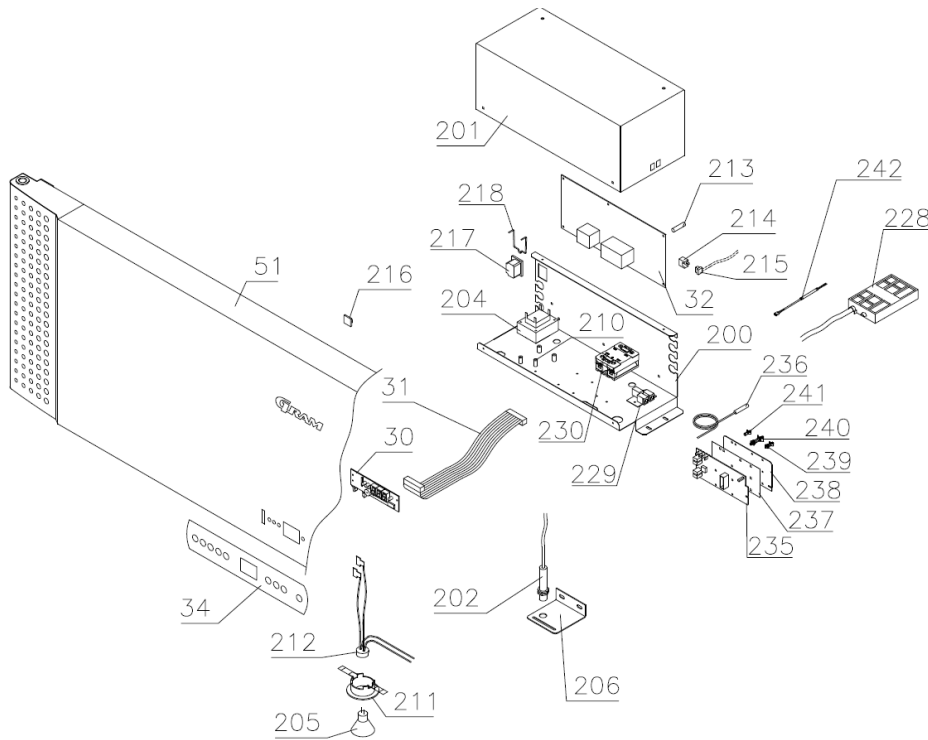


Description :

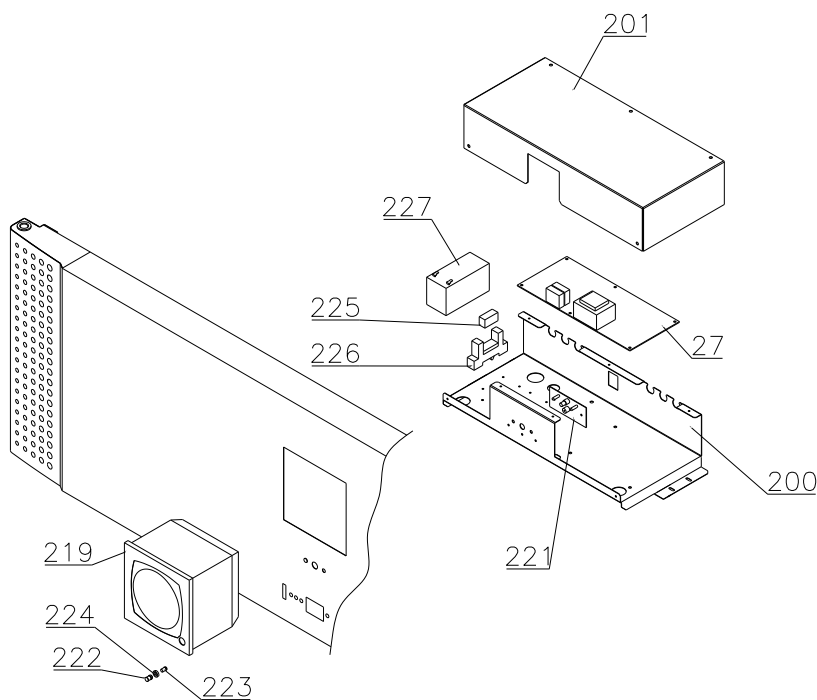
**Spare parts list for BioPlus/BioBlood
ER/BR/RF/BF 1270/1400 CG/LG**

| Compiled. | | Latest revision. | | | Discontinued | |
|-----------|------|------------------|------|--------|--------------|------|
| Date | Name | Date | Name | Rev.no | Date | Name |
| 22.06.07 | JP | 06.11.25 | JOLU | 036 | | |

3716 -



Optional parts

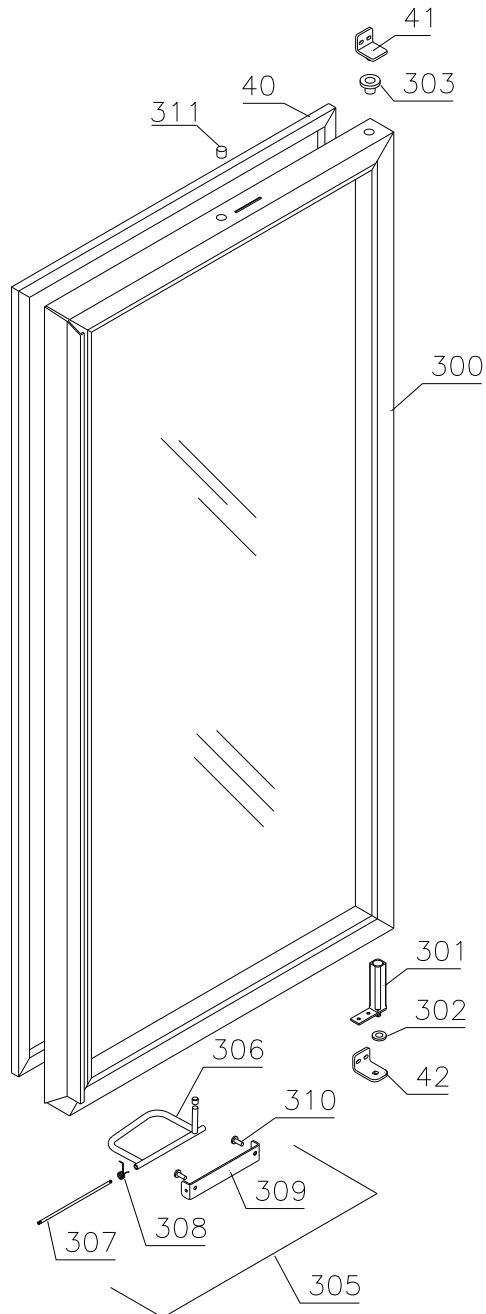


Description :

**Spare parts list for BioPlus/BioBlood
ER/BR/RF/BF 1270/1400 CG/LG**

| Compiled. | | Latest revision. | | | Discontinued | |
|-----------|------|------------------|------|--------|--------------|------|
| Date | Name | Date | Name | Rev.no | Date | Name |
| 22.06.07 | JP | 06.11.25 | JOLU | 036 | | |

Glass door

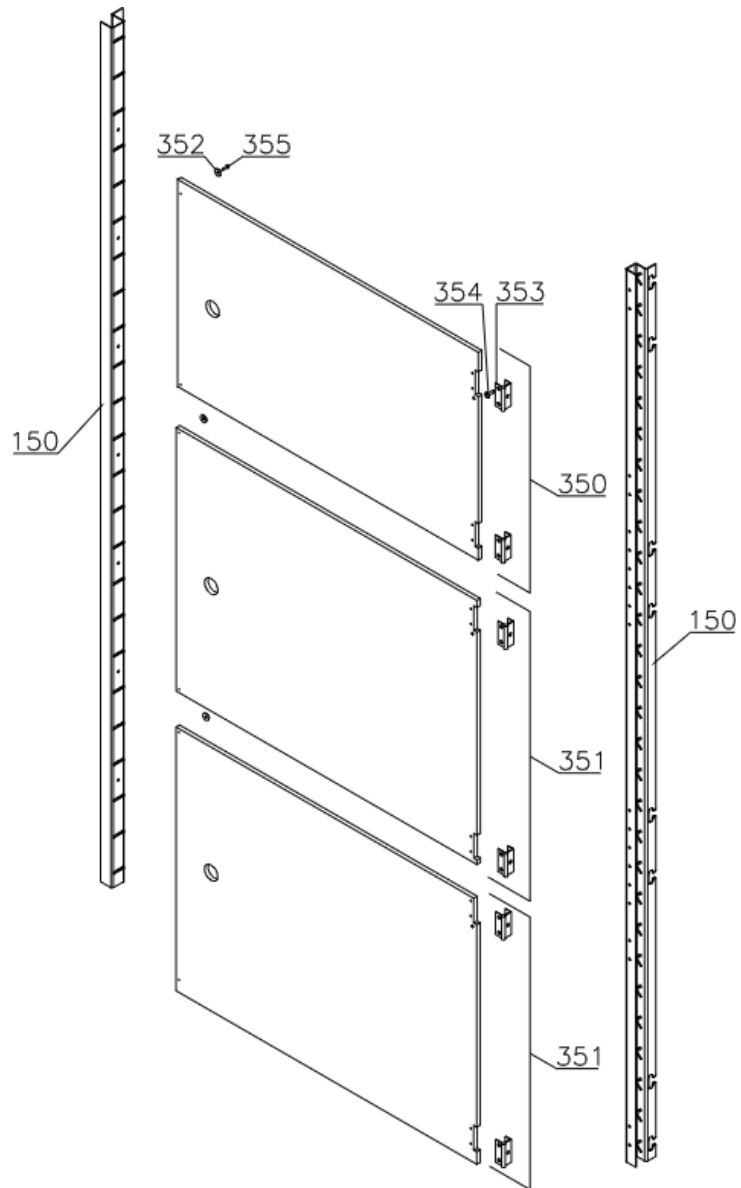


Description :

**Spare parts list for BioPlus/BioBlood
ER/BR/RF/BF 1270/1400 CG/LG**

| Compiled. | | Latest revision. | | | Discontinued | |
|-----------|------|------------------|------|--------|--------------|------|
| Date | Name | Date | Name | Rev.no | Date | Name |
| 22.06.07 | JP | 06.11.25 | JOLU | 036 | | |

Internal doors



Description :

**Spare parts list for BioPlus/BioBlood
ER/BR/RF/BF 1270/1400 CG/LG**

| Compiled. | | Latest revision. | | | Discontinued | |
|-----------|------|------------------|------|--------|--------------|------|
| Date | Name | Date | Name | Rev.no | Date | Name |
| 22.06.07 | JP | 06.11.25 | JOLU | 036 | | |

| Item No. | Description | Gram part No. | week/year Issued | week/year Deleted |
|----------|-------------|---------------|---------------------|----------------------|
|----------|-------------|---------------|---------------------|----------------------|

1. Essential spare parts

ER/BR 1270/1400

Single compressor versions:

| | | | |
|---|----------------------|-----------|------|
| 1 | Compressor SC 12 CNX | 502900001 | 1007 |
| 2 | Starting device | 453051003 | 1007 |
| 3 | Cover | 452440291 | 1007 |
| 4 | Cord relief | 452440292 | 1007 |
| 5 | Condenser | 762900020 | 1007 |

Dual compressor versions:

| | | | |
|---|------------------|-----------|------|
| 1 | Compressor NL9CN | 502900006 | 1007 |
| 2 | Starting device | 453050151 | 1007 |
| 3 | Cover | 452440293 | 1007 |
| 4 | Cord relief | 452440300 | 1007 |
| 5 | Condenser | 765080163 | 1007 |
| 6 | Timer relay | 450200150 | 1007 |

Common parts:

| | | | |
|----|-------------------------------|-----------|------|
| 7 | Defrost heating element 800 W | 765071105 | 1007 |
| 8 | Overheat safety thermostat | 765070828 | 1007 |
| 11 | Rubber foot | 760080519 | 1007 |
| 12 | Bush | 760080521 | 1007 |
| 13 | Filter drier | 762900156 | 1007 |
| 14 | Condenser fan motor | 760071617 | 1007 |
| 14 | Condenser fan motor | 765080190 | 1308 |
| 15 | Wire for fan motor | 612900400 | 1007 |
| 16 | Condenser sensor | 453531500 | 1007 |
| | | | 3620 |
| 18 | Evaporator | 762900114 | 1007 |
| 19 | Heat exchanger | 762900059 | 1007 |
| 20 | Evaporator fan complete | 761234098 | 1007 |
| 20 | Evaporator fan complete | 761234129 | 3921 |
| 21 | Fan blade, ø200 34° | 612900201 | 1007 |
| 22 | Room sensor | 453531500 | 1007 |
| 23 | Defrost sensor | 453531501 | 1007 |
| 23 | Defrost sensor | 453531504 | 0712 |
| 24 | E-sensor | 453531504 | 1007 |
| 25 | Re-evap. heating element 60 W | 761250778 | 1007 |
| 25 | Re-evap. heating element 60 W | 765072862 | 2714 |
| 26 | Float switch | 765072049 | 1007 |

Gram Commercial
Technical information

765041225

Description :

**Spare parts list for BioPlus/BioBlood
ER/BR/RF/BF 1270/1400 CG/LG**

| Compiled. | | Latest revision. | | | Discontinued | |
|-----------|------|------------------|------|--------|--------------|------|
| Date | Name | Date | Name | Rev.no | Date | Name |
| 22.06.07 | JP | 06.11.25 | JOLU | 036 | | |

| Item No. | Description | Gram part No. | week/year Issued | week/year Deleted |
|------------------------|-------------------------------|---------------|---------------------|----------------------|
| <u>RF/BF 1270/1400</u> | | | | |
| 1 | Compressor SC 12 CNX | 502900001 | 1007 | |
| 2 | Starting device | 453051003 | 1007 | |
| 3 | Cover | 452440291 | 1007 | |
| 4 | Cord relief | 452440292 | 1007 | |
| 5 | Condenser | 612900501 | 1007 | |
| 6 | Timer relay | 450200150 | 1007 | |
| 7 | Defrost heating element 200 W | 765071106 | 1007 | |
| 8 | Overheat safety thermostat | 765070828 | 1007 | |
| 9 | Drip water heater 6,5 W | 765071698 | 1007 | |
| 11 | Rubber foot | 760080519 | 1007 | |
| 12 | Bush | 760080521 | 1007 | |
| 13 | Filter drier | 762900156 | 1007 | |
| 14 | Condenser fan guard | 765080190 | 1007 | |
| 15 | Wire for fan motor | 612900400 | 1007 | 3620 |
| 16 | Condenser sensor | 453531500 | 1007 | |
| 18 | Evaporator | 762900114 | 1007 | |
| 19 | Heat exchanger | 765080076 | 1007 | |
| 20 | Evaporator fan complete | 761234098 | 1007 | |
| 21 | Fan blade, ø200 34° | 612900201 | 1007 | 3620 |
| 22 | Room sensor | 453531500 | 1007 | |
| 23 | Defrost sensor | 453531501 | 1007 | 0712 |
| 23 | Defrost sensor | 453531504 | 0712 | |
| 24 | E-sensor | 453531504 | 1007 | |

Gram Commercial
Technical information

765041225

Description :

Spare parts list for BioPlus/BioBlood
ER/BR/RF/BF 1270/1400 CG/LG

| Compiled. | | Latest revision. | | | Discontinued | |
|-----------|------|------------------|------|--------|--------------|------|
| Date | Name | Date | Name | Rev.no | Date | Name |
| 22.06.07 | JP | 06.11.25 | JOLU | 036 | | |

| Item No. | Description | Gram part No. | week/year Issued | week/year Deleted |
|----------|-------------|---------------|---------------------|----------------------|
|----------|-------------|---------------|---------------------|----------------------|

Control panel:

| | | | | |
|----|--|-----------------|------|------|
| 30 | Electronic control, display part | 612900050 | 1007 | 2210 |
| 30 | Electronic control, display part | 612900056 | 2210 | |
| 30 | Electronic control, display part for LTP | 612900057 | 3919 | |
| 31 | Band cable L=1200 | 453582046 | 1007 | |
| 31 | Band cable for LTP | 765072970 | 3919 | |
| 32 | Controller power part M5 | ER 761256135 | 1007 | |
| 32 | Controller power part M4 | BR 761256133 | 1007 | |
| 32 | Controller power part F5 | RF/BF 761256134 | 1007 | 4814 |
| 32 | Controller power part F51 | RF/BF 761256162 | 4814 | |
| 32 | Controller power part CO5 EB | ER 761234159 | 4125 | |
| 32 | Controller power part CO6 EB | RF 761234158 | 4125 | |
| 32 | Controller power part M5 batt.alm. | ER 761256146 | 1007 | |
| 32 | Controller power part M4 batt.alm. | BR 761256145 | 1007 | |
| 32 | Controller power part F5 batt.alm. | RF/BF 761256147 | 1007 | |
| 34 | Label with keys | 761230076 | 1007 | 1010 |
| 34 | Label with keys | 765041752 | 1010 | |

Door :

| | | | | |
|----|--------------------------------|------|-----------|------|
| 40 | Door gasket | 1270 | 761259243 | 1007 |
| 40 | Door gasket | 1400 | 761259244 | 1007 |
| 41 | Hinge, upper right/bottom left | | 761258934 | 1007 |
| 42 | Hinge, bottom right/upper left | | 761258998 | 1007 |

Description :

**Spare parts list for BioPlus/BioBlood
ER/BR/RF/BF 1270/1400 CG/LG**

| Compiled. | | Latest revision. | | | Discontinued | |
|-----------|------|------------------|------|--------|--------------|------|
| Date | Name | Date | Name | Rev.no | Date | Name |
| 22.06.07 | JP | 06.11.25 | JOLU | 036 | | |

| Item No. | Description | Gram part No. | week/year Issued | week/year Deleted |
|----------|-------------|---------------|---------------------|----------------------|
|----------|-------------|---------------|---------------------|----------------------|

2. Other spare parts

Cabinet

| | | | | | |
|----|-------------------------------------|-------|-----------|------|------|
| 50 | Air relief valve | | 765081206 | 1007 | |
| 51 | Front panel – solid door, stainless | | 761234030 | 1007 | |
| 51 | Front panel – solid door, white | | 761231483 | 1007 | |
| 51 | Front panel – glass door, stainless | | 761234031 | 1007 | |
| 51 | Front panel – glass door, white | | 761234032 | 1007 | |
| 53 | Cover rail for evaporator | | 761257136 | 1007 | |
| 54 | Cover plate, left | | 761257125 | 1007 | |
| 55 | Cover plate, right | | 761257126 | 1007 | |
| 56 | Suspension bracket for evaporator | | 761257114 | 1007 | |
| 57 | Heating element bracket | | 761254427 | 1007 | |
| 58 | Fan holder | | 761258499 | 1007 | 3620 |
| 59 | Cable clip | | 452470001 | 1007 | |
| 60 | Drip water tray | ER/BR | 761256035 | 1007 | |
| 60 | Drip water tray, insulated | RF/BF | 761236010 | 0710 | |
| 61 | Holder for drip water tray | | 761253441 | 1007 | |
| 61 | Holder for drip water tray | RF/BF | 761253442 | 0710 | |
| 62 | Air distribution plate | 1270 | 761254429 | 1007 | |
| 62 | Air distribution plate | 1400 | 761254430 | 1007 | |
| 63 | Rail for air distribution plate | | 760243634 | 1007 | |
| 64 | Re-evaporation tray | | 765081149 | 1007 | |
| 65 | Cover plate for re-evap. tray | | 761255383 | 1007 | |
| 66 | Water trap | | 760082891 | 1007 | |
| 67 | Intermediate division bar | | 761257239 | 1007 | |
| 68 | Drip plate | | 761257135 | 1007 | |
| 69 | Drain pipe | | 765081253 | 1007 | |
| 70 | Heating element bracket | ER/BR | 761255445 | 1007 | 2714 |
| 70 | Heating element bracket | ER/BR | 763250021 | 2714 | |
| 71 | Float switch bracket | ER/BR | 761255446 | 1007 | 2714 |
| 71 | Float switch bracket | ER/BR | 763250020 | 2714 | |
| 72 | Lead and plug, DK 3-pin | | 765072555 | 1007 | 1709 |
| 72 | Lead and plug, DK 3-pin | | 765072568 | 1709 | |
| 72 | Lead and plug, EU | | 765072554 | 1007 | 1709 |
| 72 | Lead and plug, EU | | 765072566 | 1709 | |
| 72 | Lead and plug, GB | | 765072553 | 1007 | 1709 |
| 72 | Lead and plug, GB | | 765072567 | 1709 | |

Gram Commercial
Technical information

765041225

Description :

**Spare parts list for BioPlus/BioBlood
ER/BR/RF/BF 1270/1400 CG/LG**

| Compiled. | | Latest revision. | | | Discontinued | |
|-----------|------|------------------|------|--------|--------------|------|
| Date | Name | Date | Name | Rev.no | Date | Name |
| 22.06.07 | JP | 06.11.25 | JOLU | 036 | | |

| Item No. | Description | Gram part No. | week/year Issued | week/year Deleted |
|----------|------------------------------------|-----------------|---------------------|----------------------|
| 76 | Screw for fan blade | 612900100 | 1007 | 3620 |
| 77 | Leg, stainless H=135-200 | 765080115 | 1007 | |
| 78 | Castor wheel, H=125 | 480260100 | 1007 | |
| 79 | Castor wheel, with brake | 480260050 | 1007 | |
| 80 | Screw M8 x 20 | 422715070 | 1007 | |
| 81 | Front panel filter | 761258491 | 1007 | |
| 83 | Condenser filter | 761114423 | 1007 | |
| 84 | Attachment plug | 765081246 | 1007 | |
| 85 | Base frame, front | 761253902 | 1007 | |
| 86 | Base frame, back | 761257449 | 1007 | |
| 87 | Door lock – solid door | 765080092 | 1007 | |
| 87 | Door lock – glass door | 765080098 | 1007 | |
| 88 | Key no. 1 (25010) | 765080340 | 1007 | |
| 88 | Key no. 2 (25020) | 765080341 | 1007 | |
| 88 | Key no. 3 (25030) | 765080342 | 1007 | |
| 88 | Key no. 4 (25040) | 765080343 | 1007 | |
| 88 | Key no. 5 (25050) | 765080344 | 1007 | |
| 88 | Master key | 765080385 | 1007 | |
| 89 | Junction box f. re-evap. heater | ER/BR 765070143 | 1007 | |
| 90 | Front panel hinge | 761259017 | 1007 | |
| 91 | Front panel support rod | 761257589 | 1007 | |
| 92 | Bracket for lock | 760248748 | 1007 | |
| 93 | Plastic cap | 450450080 | 1007 | |
| 94 | Re-evaporation heater kit complete | 763254026 | 1007 | |
| 95 | Cap for M5 hole | grey 765080501 | 1007 | |
| 95 | Cap for M5 hole | white 765080504 | 1007 | |
| 96 | Insulation plug | 765080563 | 2309 | |
| 97 | Plastic cap | 501020023 | 2309 | |
| 98 | Liquid container | 765080384 | 1007 | |
| 99 | Holder for liquid container | 761256497 | 1007 | |
| 100 | Fan guard | 765081239 | 0509 | |
| 101 | Plastic clip | 452470013 | 1007 | |

Gram Commercial
Technical information

765041225

Description :

**Spare parts list for BioPlus/BioBlood
ER/BR/RF/BF 1270/1400 CG/LG**

| Compiled. | | Latest revision. | | | Discontinued | |
|-----------|------|------------------|------|--------|--------------|------|
| Date | Name | Date | Name | Rev.no | Date | Name |
| 22.06.07 | JP | 06.11.25 | JOLU | 036 | | |

| Item No. | Description | Gram part No. | week/year Issued | week/year Deleted |
|----------|-------------|---------------|---------------------|----------------------|
|----------|-------------|---------------|---------------------|----------------------|

Optional equipment:

| | | | | | |
|-----|---------------------------------------|------|-----------|------|------|
| 150 | Wall rail | 1270 | 761230151 | 1007 | 0808 |
| 150 | Wall rail | 1270 | 761256462 | 0808 | |
| 150 | Wall rail, left | 1400 | 761230149 | 1007 | 0808 |
| 150 | Wall rail, right | 1400 | 761230150 | 1007 | 0808 |
| 150 | Wall rail | 1400 | 761256454 | 0808 | |
| 150 | Wall rail - for internal doors | 1270 | 761230295 | 2010 | |
| 150 | Wall rail - for internal doors | 1400 | 761230296 | 2010 | |
| 151 | Shelf support rail | | 761256455 | 1007 | |
| 152 | Stainless wire shelf | | 818880007 | 1007 | |
| 152 | Grey wire shelf | | 818880008 | 1007 | |
| 152 | Stainless wire shelf / internal doors | | 765080409 | 3210 | |
| 153 | Perforated shelf, stainless | | 761230083 | 1007 | |
| 160 | Alu drawer, complete | | 761230357 | 1007 | |
| 161 | Set of sliding rails | | 761234055 | 1007 | |
| 162 | Divider rail | | 761230016 | 1007 | |
| 163 | Holder for divider rail | | 761230367 | 1007 | |
| 165 | Plastic divider 1 | | 761230021 | 1007 | |
| 166 | Plastic divider 2 | | 761230022 | 1007 | |
| 170 | Stainless drawer, complete 30 kg | | 761231232 | 1007 | |
| 171 | Set of sliding rails | | 761234000 | 1008 | |
| 180 | BioBlood drawer complete 40 kg | | 761231202 | 1008 | |
| 181 | Set of sliding rails | | 761234058 | 1008 | |
| 182 | Divider, stainless | | 761230308 | 1008 | |
| 183 | Holder for divider, stainless | | 761230305 | 1008 | |
| 184 | Divider set complete | | 761231448 | 1008 | |
| 185 | Support for sliding rail | | 761230201 | 1008 | |

Description :

**Spare parts list for BioPlus/BioBlood
ER/BR/RF/BF 1270/1400 CG/LG**

| Compiled. | | Latest revision. | | | Discontinued | |
|-----------|------|------------------|------|--------|--------------|------|
| Date | Name | Date | Name | Rev.no | Date | Name |
| 22.06.07 | JP | 06.11.25 | JOLU | 036 | | |

| Item No. | Description | Gram part No. | week/year Issued | week/year Deleted |
|--|-------------------------------------|---------------|---------------------|----------------------|
| <u>Control panel/electrical parts:</u> | | | | |
| 200 | Junction box | 761230090 | 1007 | |
| 201 | Cover for junction box | 761255432 | 1007 | |
| 202 | Door switch | 450400113 | 1007 | |
| 203 | Distance tube L=8.3 mm | 765080021 | 1007 | |
| 204 | Trafo for lights | 760073650 | 1007 | |
| 205 | Halogen light 10W | 450742002 | 1007 | |
| 206 | Bracket for door switch and lock | 761259005 | 1007 | |
| 207 | Appliance inlet | 451022002 | 1007 | |
| 210 | Distance bush L=16 | 451119513 | 1007 | |
| 211 | Mounting socket for halogen light | 761251323 | 1007 | |
| 212 | Wiring for halogen light | 765071603 | 1007 | |
| 213 | Spacer for PCB | 451119515 | 1007 | |
| 214 | Sensor plug holder | 452260601 | 1007 | |
| 215 | Sensor plug | 452260600 | 1007 | |
| 216 | Cable clip | 424350001 | 1007 | |
| 217 | Appliance inlet | 451022002 | 1709 | |
| 218 | Brace for mains cable | 761230215 | 1709 | |
| 219 | Chart recorder | 761256438 | 1007 | |
| 221 | Battery alarm PCB | 453580116 | 1007 | |
| 222 | Clear glass for LED | 765080380 | 1007 | |
| 223 | Light stick for LED | 765080381 | 1007 | |
| 224 | Spacer for LED | 765080382 | 1007 | |
| 225 | Relay | 450200082 | 1007 | |
| 226 | Relay socket | 450200097 | 1007 | |
| 227 | Battery | 130080060 | 1007 | |
| 228 | Box for alarm connection | 761230356 | 1210 | |
| 229 | Datalogger connector | 453570037 | 4311 | |
| 230 | Solid State relay | 450200300 | 3716 | |
| 235 | LTP controller | 453580515 | 3919 | |
| 236 | LTP sensor | 453531533 | 3919 | |
| 237 | PCB protection sheet | 765072698 | 0718 | |
| 238 | Screening plate | 765073271 | 0718 | |
| 239 | Dual locking spacer H=7.9 mm | 451119525 | 0718 | |
| 240 | Dual locking spacer H=15.9 mm | 451119526 | 0718 | |
| 241 | Push spacer H=7.9 mm | 451119527 | 0718 | |
| 242 | Cable to SSR incl. resistance | 765071445 | 1023 | |
| 242 | Cable to SSR incl. resistance "LTP" | 765071449 | 1023 | |

Description :

**Spare parts list for BioPlus/BioBlood
ER/BR/RF/BF 1270/1400 CG/LG**

| Compiled. | | Latest revision. | | | Discontinued | |
|-----------|------|------------------|------|--------|--------------|------|
| Date | Name | Date | Name | Rev.no | Date | Name |
| 22.06.07 | JP | 06.11.25 | JOLU | 036 | | |

| Item No. | Description | Gram part No. | week/year Issued | week/year Deleted |
|----------|-------------|---------------|---------------------|----------------------|
|----------|-------------|---------------|---------------------|----------------------|

Door :

| | | | | |
|-----|----------------------------|------|-----------|------|
| 300 | Door stainless, left | 1270 | 761251307 | 1007 |
| 300 | Door white, left | 1270 | 761251319 | 1007 |
| 300 | Door stainless, right | 1270 | 761251300 | 1007 |
| 300 | Door white, right | 1270 | 761251301 | 1007 |
| 300 | Door stainless, left | 1400 | 761251313 | 1007 |
| 300 | Door white, left | 1400 | 761251322 | 1007 |
| 300 | Door stainless, right | 1400 | 761251306 | 1007 |
| 300 | Door white, right | 1400 | 761251302 | 1007 |
| 300 | Glass door | 1270 | 761259150 | 1007 |
| 300 | Glass door | 1400 | 761259168 | 1007 |
| 301 | Self-close device left | | 761259910 | 1007 |
| 301 | Self-close device right | | 761259909 | 1007 |
| 302 | Washer, right | | 421708020 | 1007 |
| 302 | Washer, left | | 760250524 | 1007 |
| 303 | Hinge bush | | 760242041 | 1007 |
| 305 | Foot pedal complete, left | | 761258167 | 1007 |
| 305 | Foot pedal complete, right | | 761258166 | 1007 |
| 306 | Pedal arm, left | | 761258482 | 1007 |
| 306 | Pedal arm, right | | 761258407 | 1007 |
| 307 | Pedal spindle | | 761258406 | 1007 |
| 308 | Spring for pedal, left | | 760251364 | 1007 |
| 308 | Spring for pedal, right | | 760251363 | 1007 |
| 309 | Bracket for pedal | | 761258404 | 1007 |
| 310 | Screw M5x12 | | 420178203 | 1007 |
| 311 | Magnet for door switch | | 450401002 | 1007 |

Internal doors:

| | | | | |
|-----|-----------------------------|------|-----------|------|
| 350 | Upper door, complete | | 761231885 | 2010 |
| 351 | Intermediate door, complete | 1270 | 761231886 | 2010 |
| 351 | Intermediate door, complete | 1400 | 761231887 | 2010 |
| 352 | Lower door, complete | | 761231888 | 2010 |
| 353 | Magnet | | 450401003 | 2010 |
| 354 | Hinge | | 761230343 | 2010 |
| 355 | Screw for hinge | | 420168174 | 2010 |
| 356 | Screw for magnet | | 420168175 | 2010 |