

Spare parts - BioMidi
RR/RF 425/625
RG/LG/CG

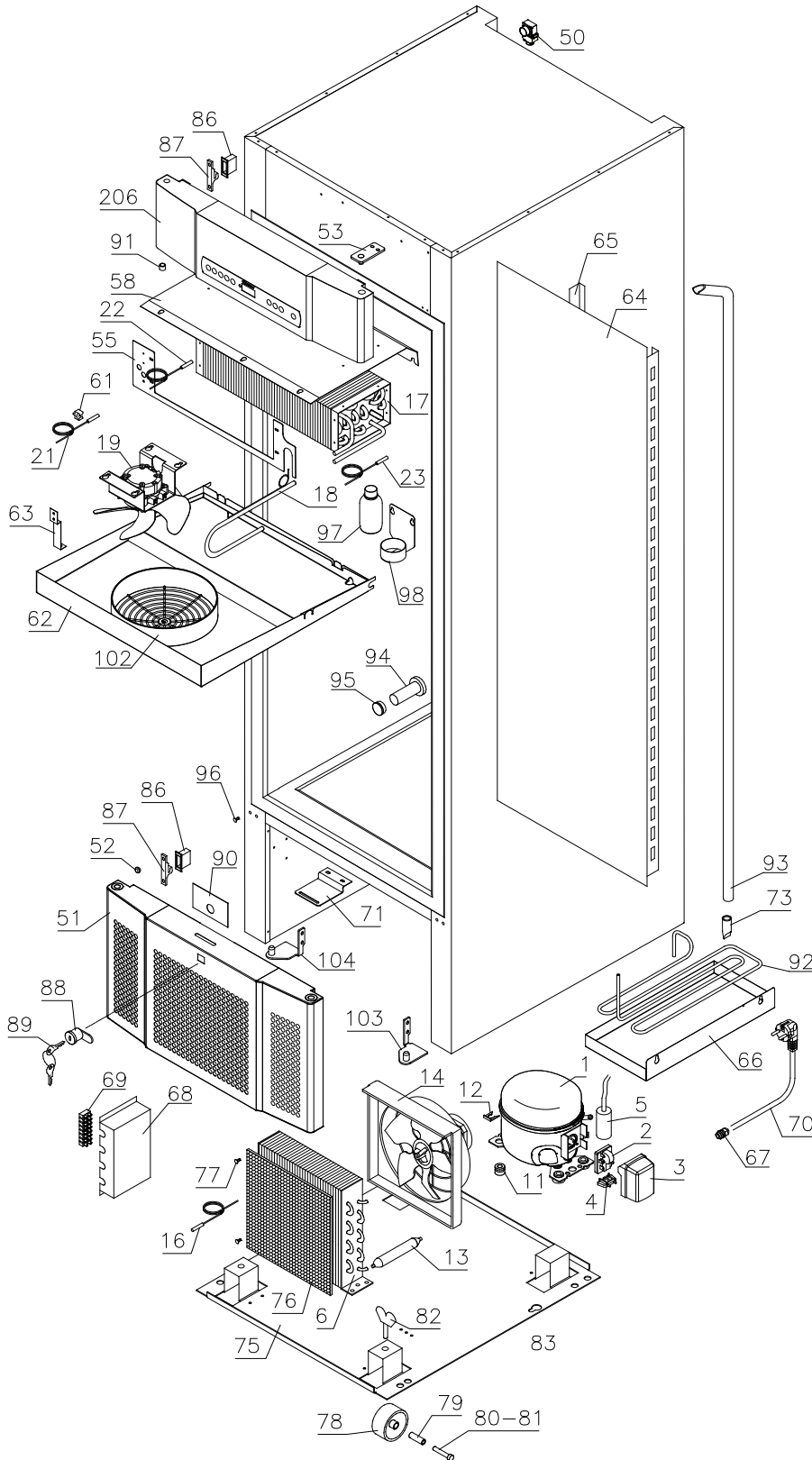


Description :

Spare parts list for BioMidi
 RR/RF 425/625 RG/LG/CG

Compiled.		Latest revision.			Deleted.	
Date	Name	Date	Name	Rev.no	Date	Name
25.06.07	JP	23.01.25	jolu	039		

RR 425/625 w/glass door

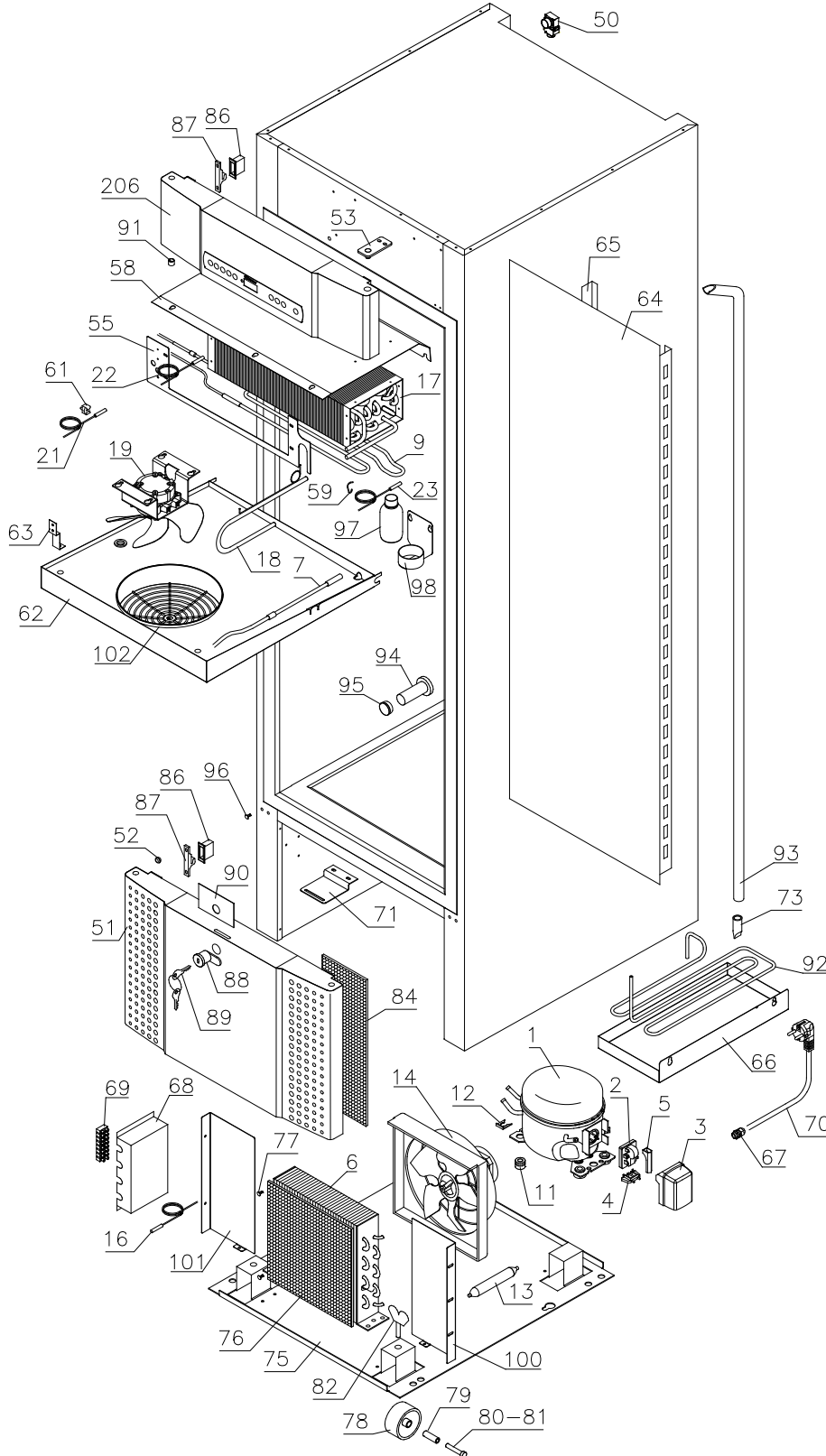


Description :

Spare parts list for BioMidi
 RR/RF 425/625 RG/LG/CG

Compiled.		Latest revision.			Deleted.	
Date	Name	Date	Name	Rev.no	Date	Name
25.06.07	JP	23.01.25	jolu	039		

RF 425

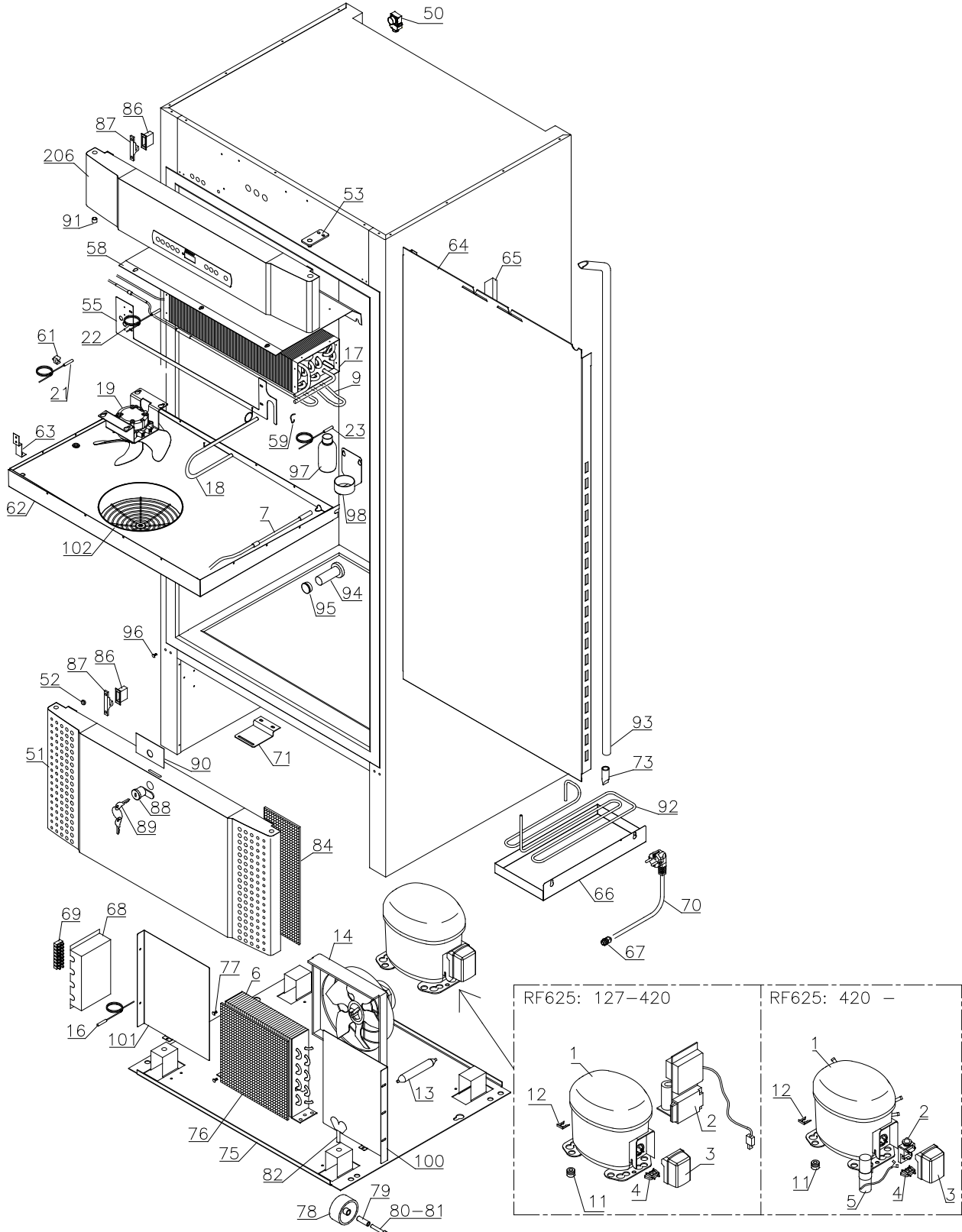


Description :

Spare parts list for BioMidi
 RR/RF 425/625 RG/LG/CG

Compiled.		Latest revision.			Deleted.	
Date	Name	Date	Name	Rev.no	Date	Name
25.06.07	JP	23.01.25	jolu	039		

RF 625



Description :

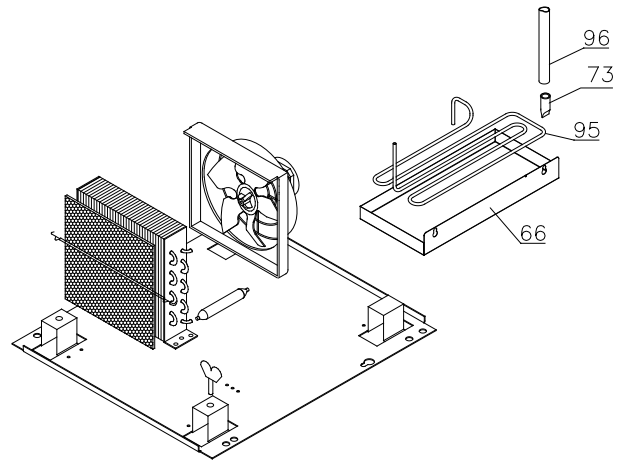
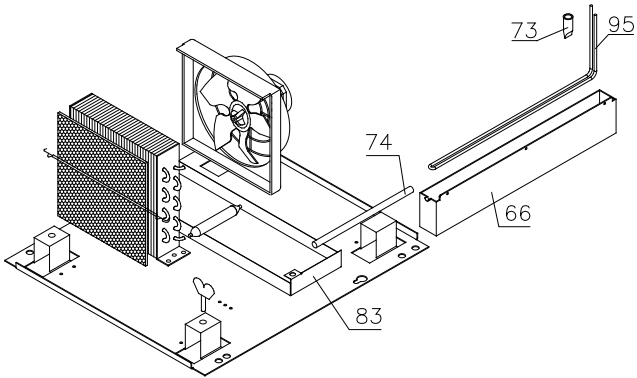
**Spare parts list for BioMidi
RR/RF 425/625 RG/LG/CG**

Compiled.		Latest revision.			Deleted.	
Date	Name	Date	Name	Rev.no	Date	Name
25.06.07	JP	23.01.25	jolu	039		

Re-evaporation parts

1207 – 4308

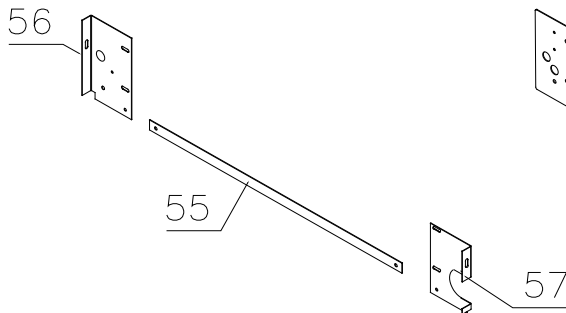
4308 -



Evaporator cover

1207 – 1009

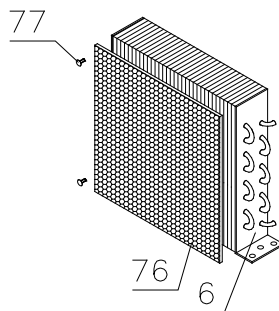
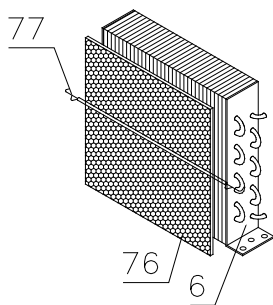
1009 -



Condenser filter

1207 – 2809

2809 -



Description :

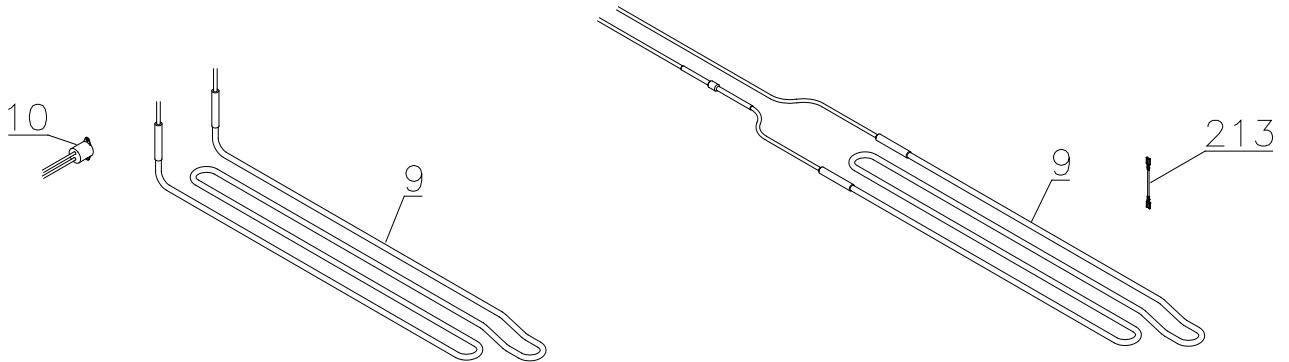
**Spare parts list for BioMidi
RR/RF 425/625 RG/LG/CG**

Compiled.		Latest revision.			Deleted.	
Date	Name	Date	Name	Rev.no	Date	Name
25.06.07	JP	23.01.25	jolu	039		

Defrost heater – RF 425/625

625: 1207 – 2811
425: 1207 – 0112

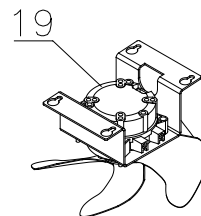
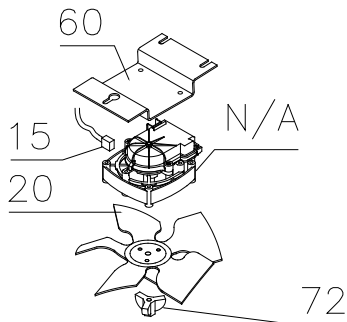
625: 2811 -
425: 0112 -



Evaporator fan

1207 – 3620

3620 -



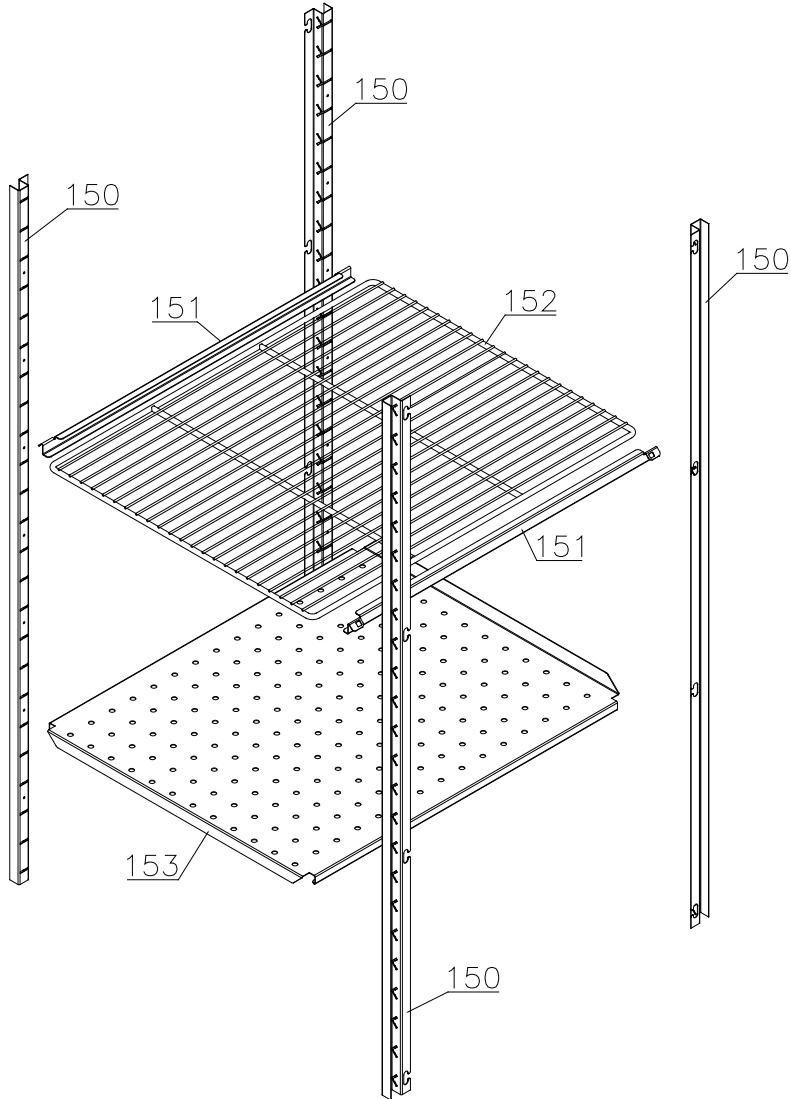
Description :

**Spare parts list for BioMidi
 RR/RF 425/625 RG/LG/CG**

Compiled.		Latest revision.			Deleted.	
Date	Name	Date	Name	Rev.no	Date	Name
25.06.07	JP	23.01.25	jolu	039		

Interior equipment

Shelves:



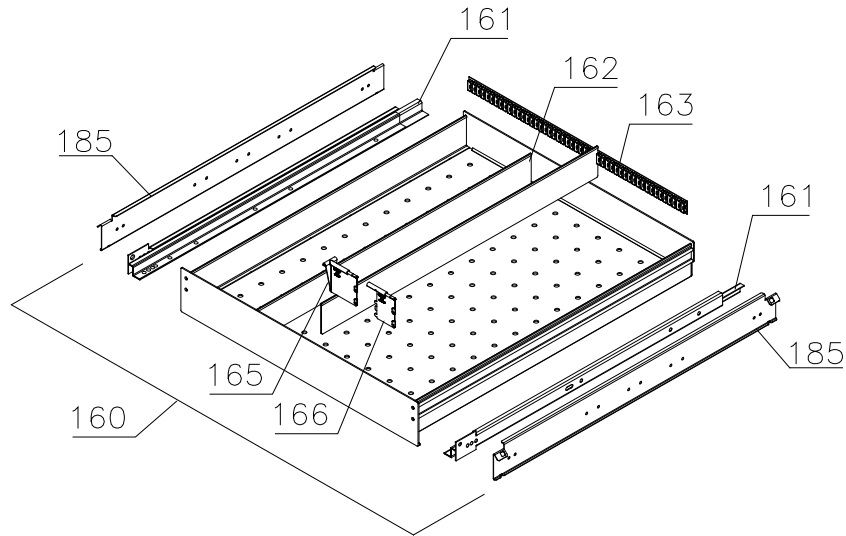
Description :

**Spare parts list for BioMidi
RR/RF 425/625 RG/LG/CG**

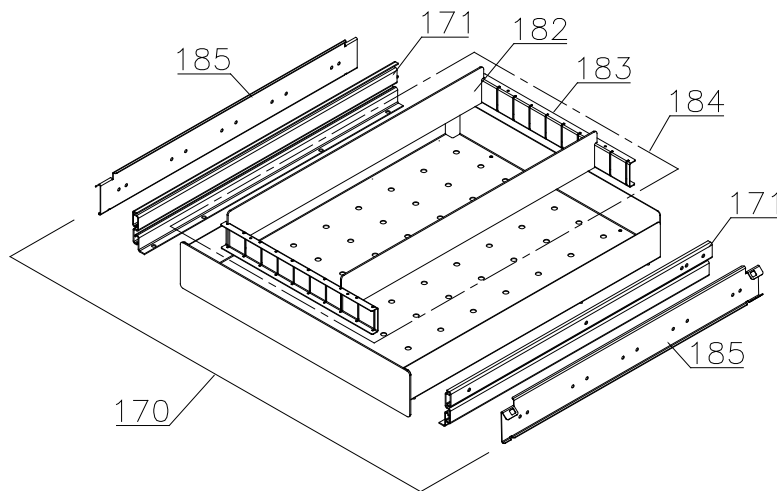
Compiled.		Latest revision.			Deleted.	
Date	Name	Date	Name	Rev.no	Date	Name
25.06.07	JP	23.01.25	jolu	039		

Drawers:

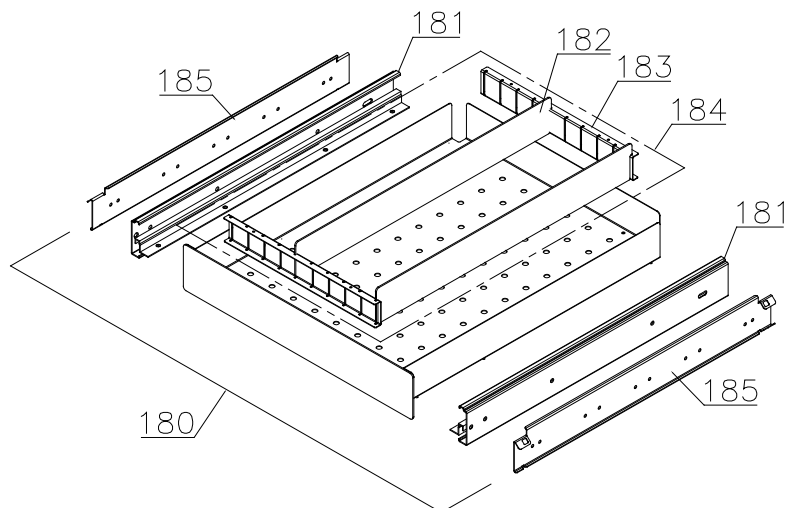
Alu



Stainless – 30 kg



Stainless – 40 kg

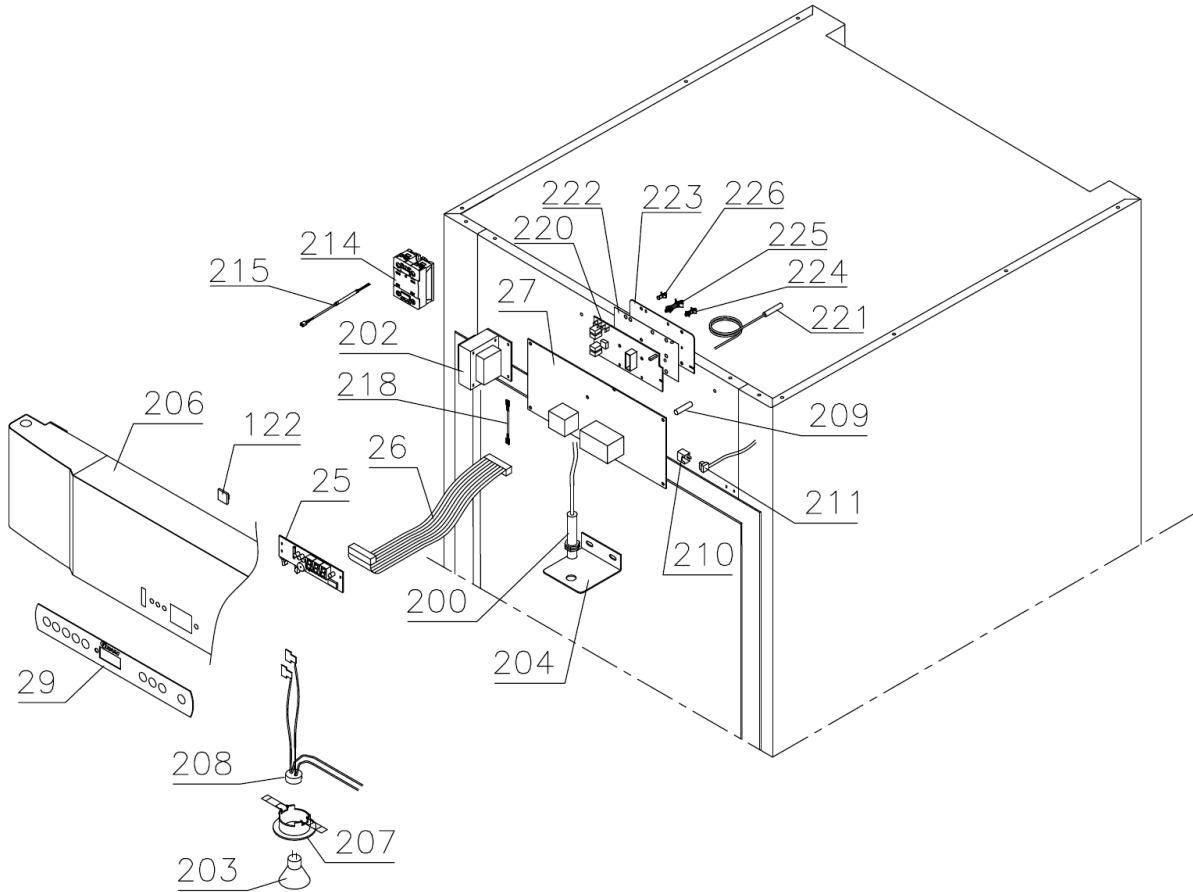


Description :

**Spare parts list for BioMidi
 RR/RF 425/625 RG/LG/CG**

Compiled.		Latest revision.			Deleted.	
Date	Name	Date	Name	Rev.no	Date	Name
25.06.07	JP	23.01.25	jolu	039		

Control panel/electrical parts



Description :

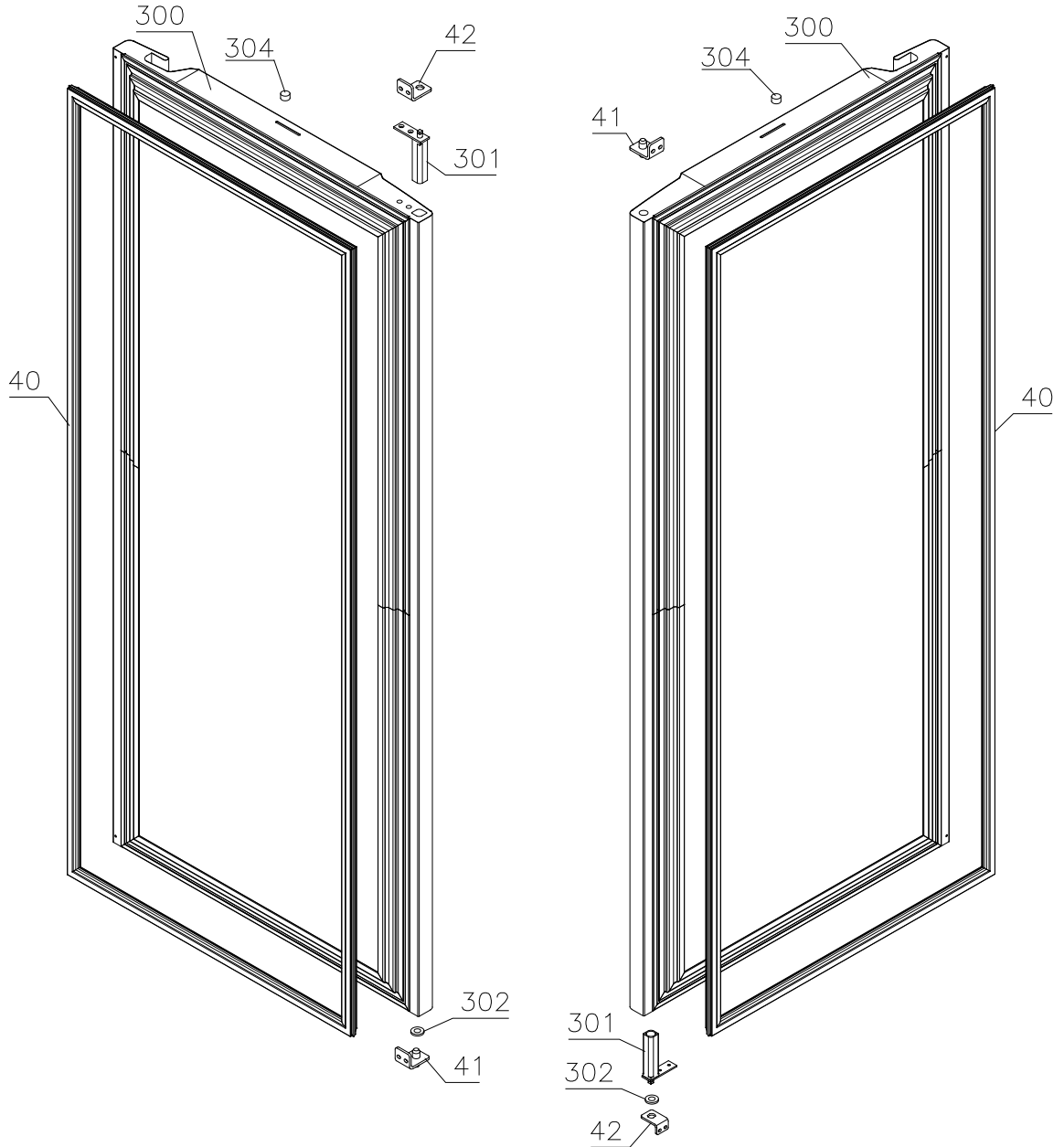
**Spare parts list for BioMidi
 RR/RF 425/625 RG/LG/CG**

Compiled.		Latest revision.			Deleted.	
Date	Name	Date	Name	Rev.no	Date	Name
25.06.07	JP	23.01.25	jolu	039		

Door

Lefthand:

Righthand:

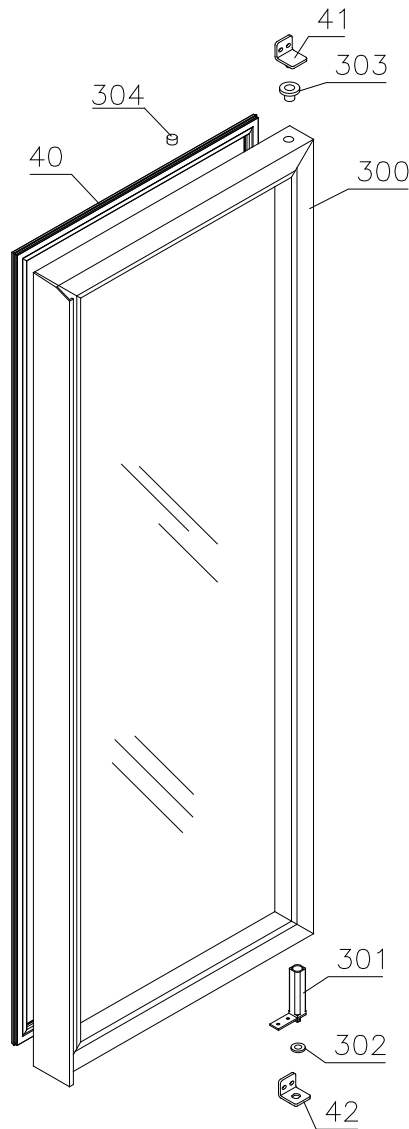


Description :

**Spare parts list for BioMidi
 RR/RF 425/625 RG/LG/CG**

Compiled.		Latest revision.			Deleted.	
Date	Name	Date	Name	Rev.no	Date	Name
25.06.07	JP	23.01.25	jolu	039		

Glass door

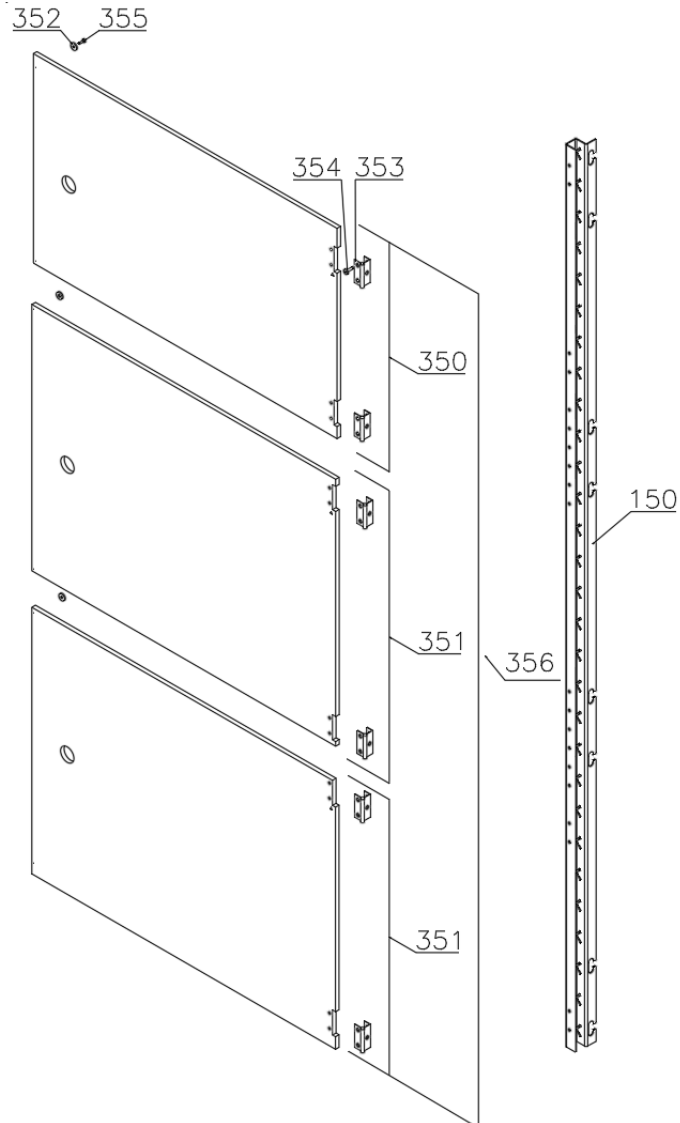


Description :

**Spare parts list for BioMidi
 RR/RF 425/625 RG/LG/CG**

Compiled.		Latest revision.			Deleted.	
Date	Name	Date	Name	Rev.no	Date	Name
25.06.07	JP	23.01.25	jolu	039		

Draught shields



Description :

Spare parts list for BioMidi
RR/RF 425/625 RG/LG/CG

Compiled.		Latest revision.			Deleted.	
Date	Name	Date	Name	Rev.no	Date	Name
25.06.07	JP	23.01.25	jolu	039		

Item No.	Description	Gram part No.	week/year Issued	week/year Deleted
----------	-------------	---------------	---------------------	----------------------

Essential spare parts

Refrigeration system/cabinet

RR 425/625:

1	Compressor TL 5 CNK	502900000	1207
2	Starting device	453051002	1207
3	Cover	452440293	1207
4	Cord relief	452440300	1207
5	Run capacitor	760073377	1207
6	Condenser	612900500	1207

RF 425:

1	Compressor NL 9 CNK	502900006	1207
2	Starting device	453050151	1207
3	Cover	452440293	1207
4	Cord relief	452440292	1207
5	Cover for starting device	452440290	1207
6	Condenser	612900501	1207
7	Drip water heater 6,5 W	765071698	1207

RF 625:

1	Compressor SC 12 CNX	502900001	1207	4210
1	Compressor SC 12 CNX.2	502900011	4210	
2	Starting device	453051004	1207	4210
2	Starting relay	410589042	4210	
3	Cover	452440280	1207	
4	Cord relief	452440292	1207	
5	Starting capacitor	451720020	4210	
6	Condenser	612900501	1207	
7	Drip water heater 6,5 W	765071698	1207	

RF 425/625:

9	Defrost heating element 250 W	425	765072055	1207	
9	Defrost heating element 350 W	625	765071819	1207	
10	Overheat safety thermostat	425	765070828	1207	0112
10	Overheat safety thermostat	625	765070828	1207	2811

Description :

Spare parts list for BioMidi
RR/RF 425/625 RG/LG/CG

Compiled.		Latest revision.			Deleted.	
Date	Name	Date	Name	Rev.no	Date	Name
25.06.07	JP	23.01.25	jolu	039		

Item No.	Description	Gram part No.	week/year Issued	week/year Deleted
----------	-------------	---------------	---------------------	----------------------

Common parts:

11	Rubber foot	760080519	1207	
12	Clip f. fastening	760082367	1207	
13	Filter drier	762900157	1207	
14	Condenser fan guard	RR 765080189	1207	
14	Condenser fan guard	RF 765080190	1207	
15	Wire for fan motor	612900400	1207	3620
16	Condenser sensor	453531500	1207	
17	Evaporator	425 762900113	1207	
17	Evaporator	625 765080185	1207	
18	Heat exchanger	762900062	1207	
19	Evaporator fan complete	761234098	1207	3921
19	Evaporator fan complete	761234129	3921	
20	Fan blade, ø200 34°	612900201	1207	3620
21	Cabinet sensor	453531500	1207	
22	Defrost sensor	453531501	1207	
23	E-sensor	453531504	1207	

Control panel/electrical parts:

25	Electronic control, display part	612900056	1207	
25	Electronic control, display part for LTP	612900057	3919	
26	Band cable L=700	453582047	1207	
26	Band cable for LTP	425 765072967	3919	
26	Band cable for LTP	625 Door right 765072971	3919	
26	Band cable for LTP	625 Door left 765072970	3919	
27	Electr. contr., power part – K2+	761256120	1207	
27	Electr. contr., power part – F5+	761256134	1207	4414
27	Electr. contr., power part – F51	761256162	4414	
29	Label with keys	761230076	1207	1010
29	Label with keys	765041752	1010	

Door:

40	Door gasket	425 760248045	1207	
40	Door gasket	625 760248046	1207	
41	Hinge, top	761258923	1207	
42	Hinge, bottom	761258998	1207	

Description :

Spare parts list for BioMidi
RR/RF 425/625 RG/LG/CG

Compiled.		Latest revision.			Deleted.	
Date	Name	Date	Name	Rev.no	Date	Name
25.06.07	JP	23.01.25	jolu	039		

Item No.	Description	Gram part No.	week/year Issued	week/year Deleted
----------	-------------	---------------	---------------------	----------------------

Other spare parts

Cabinet

50	Air relief valve		765081206	1207	
51	Front panel, stainless	425	760246128	1207	
51	Front panel, stainless/glass door	425	760246132	1207	
51	Front panel, stainless	625	760246129	1207	
51	Front panel, stainless/glass door	625	760246133	1207	
51	Front panel, white	425	760246130	1207	
51	Front panel, white/glass door	425	760246134	1207	
51	Front panel, white	625	760246131	1207	
51	Front panel, white/glass door	625	760246135	1207	
52	Front panel plug		760250272	1207	
53	Hinge for front panel		761258926	1207	
55	Cover rail for evaporator	425	760243620	1207	1009
55	Cover for evaporator	425	760246054	1009	
55	Cover rail for evaporator	625	761254449	1207	1009
55	Cover for evaporator	625	761254469	1009	
56	Cover plate, left		760245226	1207	1009
57	Cover plate, right		760245227	1207	1009
58	Suspension plate for evaporator	425	760245213	1207	
58	Suspension plate for evaporator	625	760245209	1207	
59	Heating element bracket	RF	761254427	1207	
60	Fan holder		761258499	1207	3620
61	Cable clip		452470001	1207	
62	Drip water tray	425	760246030	1207	0409
62	Drip water tray	425	760246050	0409	
62	Drip water tray, insulated	RF425	761236000	0710	
62	Drip water tray	625	761256013	1207	5108
62	Drip water tray	625	761256032	5108	
62	Drip water tray, insulated	RF625	761256048	0710	
63	Holder for drip water tray		761253441	1207	
63	Holder for drip water tray	RF	761253442	0710	
64	Air distribution plate	425	760243559	1207	
64	Air distribution plate	625	760243561	1207	
65	Rail for air distribution plate		760243634	1207	
66	Re-evaporation tray		765081149	1207	4308
66	Re-evaporation tray		761255531	4308	
67	Cord relief		761271351	1207	
68	Cover for terminal board		761230077	1207	
69	Terminal board 12-pole		451580018	1207	
70	Lead and plug, DK 3-pin		765072558	1207	
70	Lead and plug, Schuko		765072557	1207	
70	Lead and plug, GB		765072556	1207	

Gram Scientific
Technical information

765041229

Description :

Spare parts list for BioMidi
RR/RF 425/625 RG/LG/CG

Compiled.		Latest revision.			Deleted.	
Date	Name	Date	Name	Rev.no	Date	Name
25.06.07	JP	23.01.25	jolu	039		

Item No.	Description	Gram part No.	week/year Issued	week/year Deleted
71	Bracket for lock	760249008	1207	
72	Screw for fan blade	612900100	1207	3620
73	Water trap	760082891	1207	
74	Hose for re-evap. tray	RR 580020018	1207	4308
75	Compressor baseplate	425 760243981	1207	
75	Compressor baseplate	625 760243982	1207	
76	Condenser filter	761114416	1207	
77	Attachment spring	761114417	1207	2809
77	Attachment plug	765081246	2809	
78	Nylon wheel ø70	480100027	1207	
79	Wheel bush	760242404	1207	
80	Hex. screw M8 x 30	420042286	1207	
81	Hex. nut M8	421092007	1207	
82	Wing screw, brass M6 x 30	420730060	1207	
83	Supplement re-evap. tray	RR 425 760245524	1207	4308
83	Supplement re-evap. tray	RR 625 760245525	1207	4308
84	Front panel filter	761258491	1207	
86	Front panel close keeper	761253307	1207	
87	Front panel close catch	761253301	1207	
88	Door lock	765080092	1207	
89	Key no. 1 (25010)	765080340	1207	
89	Key no. 2 (25020)	765080341	1207	
89	Key no. 3 (25030)	765080342	1207	
89	Key no. 4 (25040)	765080343	1207	
89	Key no. 5 (25050)	765080344	1207	
89	Master key	765080385	1207	
90	Bracket for lock	760248748	1207	
91	Bush ø12	761254345	1207	
92	Re-evaporation pipe	760000307	4308	
93	Drip water pipe	760245276	4308	
94	Insulation plug	765080563	2309	
95	Plastic cap	501020023	2309	
96	Cap for M5 hole	grey 765080501	1207	
96	Cap for M5 hole	white 765080504	1207	
97	Liquid container	765080384	1207	
98	Holder for liquid container	761256497	1207	
100	Condenser air guide, right	F 425 760246047	1710	
100	Condenser air guide, right	F 625 760246044	1710	
101	Condenser air guide, left	F 425 760246060	1710	
101	Condenser air guide, left	F 625 760246064	1710	
102	Fan guard	765081239	0509	
103	Hinge for front panel, right	glassdoor 760248992	1909	
104	Hinge for front panel, left	glassdoor 760248993	1909	

Description :

Spare parts list for BioMidi
RR/RF 425/625 RG/LG/CG

Compiled.		Latest revision.			Deleted.	
Date	Name	Date	Name	Rev.no	Date	Name
25.06.07	JP	23.01.25	jolu	039		

Item No.	Description	Gram part No.	week/year Issued	week/year Deleted
<u>Interior equipment:</u>				
150	Wall rail	760248853	1207	
150	Wall rail, front - for draught shields	761230294	2210	
151	Shelf support rail	760248857	1207	
152	Wire shelf, grey	425 818779962	1207	
152	Wire shelf, stainless	425 818779961	1207	
152	Wire shelf, stainless/int. doors	425 765080408	3210	
152	Wire shelf, grey	625 818799968	1207	
152	Wire shelf, stainless	625 818799967	1207	
152	Wire shelf, stainless/int. doors	625 765080403	3210	
153	Perforated shelf	425 761230103	1207	
153	Perforated shelf	625 761230058	1207	
160	Alu drawer, complete	425 761230360	1207	
160	Alu drawer, complete	625 761230358	1207	
161	Set of sliding rails	761234056	1207	
162	Divider rail	425 761230020	1207	
162	Divider rail	625 761230053	1207	
163	Holder for divider rail	425 761230368	1207	
163	Holder for divider rail	625 761230366	1207	
165	Plastic divider 1	761230021	1207	
166	Plastic divider 2	761230022	1207	
170	Stainless drawer, complete 30 kg	425 761231230	1008	
170	Stainless drawer, complete 30 kg	625 761231233	1008	
171	Set of sliding rails	761234007	1008	
180	Stainless drawer, complete 40 kg	425 761231203	1008	
180	Stainless drawer, complete 40 kg	625 761231200	1008	
181	Set of sliding rails	761234057	1008	
182	Divider, stainless	425 761230320	2409	
182	Divider, stainless	625 761230312	2409	
183	Holder for divider, stainless	425 761230318	2409	
183	Holder for divider, stainless	625 761230311	2409	
184	Divider set complete	425 761231453	2409	
184	Divider set complete	625 761231449	2409	
185	Support for sliding rail	761230218	1008	

Description :

Spare parts list for BioMidi
RR/RF 425/625 RG/LG/CG

Compiled.		Latest revision.			Deleted.	
Date	Name	Date	Name	Rev.no	Date	Name
25.06.07	JP	23.01.25	jolu	039		

Item No.	Description	Gram part No.	week/year Issued	week/year Deleted
----------	-------------	---------------	---------------------	----------------------

Control panel/electrical parts:

200	Door switch	450400113	1207	
201	Distance tube L=8.3 mm	765080021	1207	
202	Trafo for lights	760073650	1207	
203	Halogen light 10 W	450742002	1207	
204	Bracket for door switch	760249007	1207	
205	Distance bush L=16	451119513	1207	
206	Control panel, stainless	425 761231103	1207	0225
206	Control panel, stainless	425 761231481	1207	0325
206	Control panel, stainless	625 761231109	1207	0225
206	Control panel, stainless	625 761234043	1207	0325
206	Control panel, white	425 761231110	1207	0225
206	Control panel, white	425 761234162	1207	0325
206	Control panel, white	625 761231111	1207	0225
206	Control panel, white	625 761234161	1207	0325
207	Mounting socket for halogen light	425 761251324	1207	
207	Mounting socket for halogen light	625 761251323	1207	
208	Wiring for halogen light	765071603	1207	
209	Spacer for PCB	451119515	1207	
210	Sensor plug holder	452260601	1207	
211	Sensor plug	452260600	1207	
212	Cable clip	424350001	1207	
213	Wire for klixon	RF 765072664	2811	
214	Solid State relay	450200300	5015	
215	Cable to SSR incl. resistance	765071445	1023	
215	Cable to SSR incl. resistance "LTP"	765071449	1023	
220	LTP controller	453580515	3919	
221	LTP sensor	453531530	3919	
222	PCB protection sheet	765072698	1218	
223	Screening plate	765073271	1218	
224	Dual locking spacer H=7.9 mm	451119525	1218	
225	Dual locking spacer H=15.9 mm	451119526	1218	
226	Push spacer H=7.9 mm	451119527	1218	

Description :

Spare parts list for BioMidi
RR/RF 425/625 RG/LG/CG

Compiled.		Latest revision.			Deleted.	
Date	Name	Date	Name	Rev.no	Date	Name
25.06.07	JP	23.01.25	jolu	039		

Item No.	Description	Gram part No.	week/year Issued	week/year Deleted
----------	-------------	---------------	---------------------	----------------------

Door:

300	Door, stainless	425	760245463	1207
300	Door, stainless	625	760245464	1207
300	Door, white	425	760245465	1207
300	Door, white	625	760245466	1207
300	Glass door	425	760245356	1207
300	Glass door	625	760245352	1207
301	Self-close device		761259909	1207
302	Washer, righthand		421708020	1207
302	Washer, lefthand		760250524	1207
303	Hinge bush		760242041	1207
304	Magnet for door switch		450401002	1207

Draught shields:

350	Upper door, complete	425	761231895	2010
350	Upper door, complete	625	761231897	2010
351	Lower door, complete (2 off)	425	761231896	2010
351	Lower door, complete (2 off)	625	761231898	2010
352	Magnet		450401003	2010
353	Hinge		761230343	2010
354	Screw for hinge		420168174	2010
355	Screw for magnet		420168175	2010
356	Draught shields set Left		761234152	0225
356	Draught shields set Right		761234147	0225