

Spare parts - BioCompact
RR 610 H

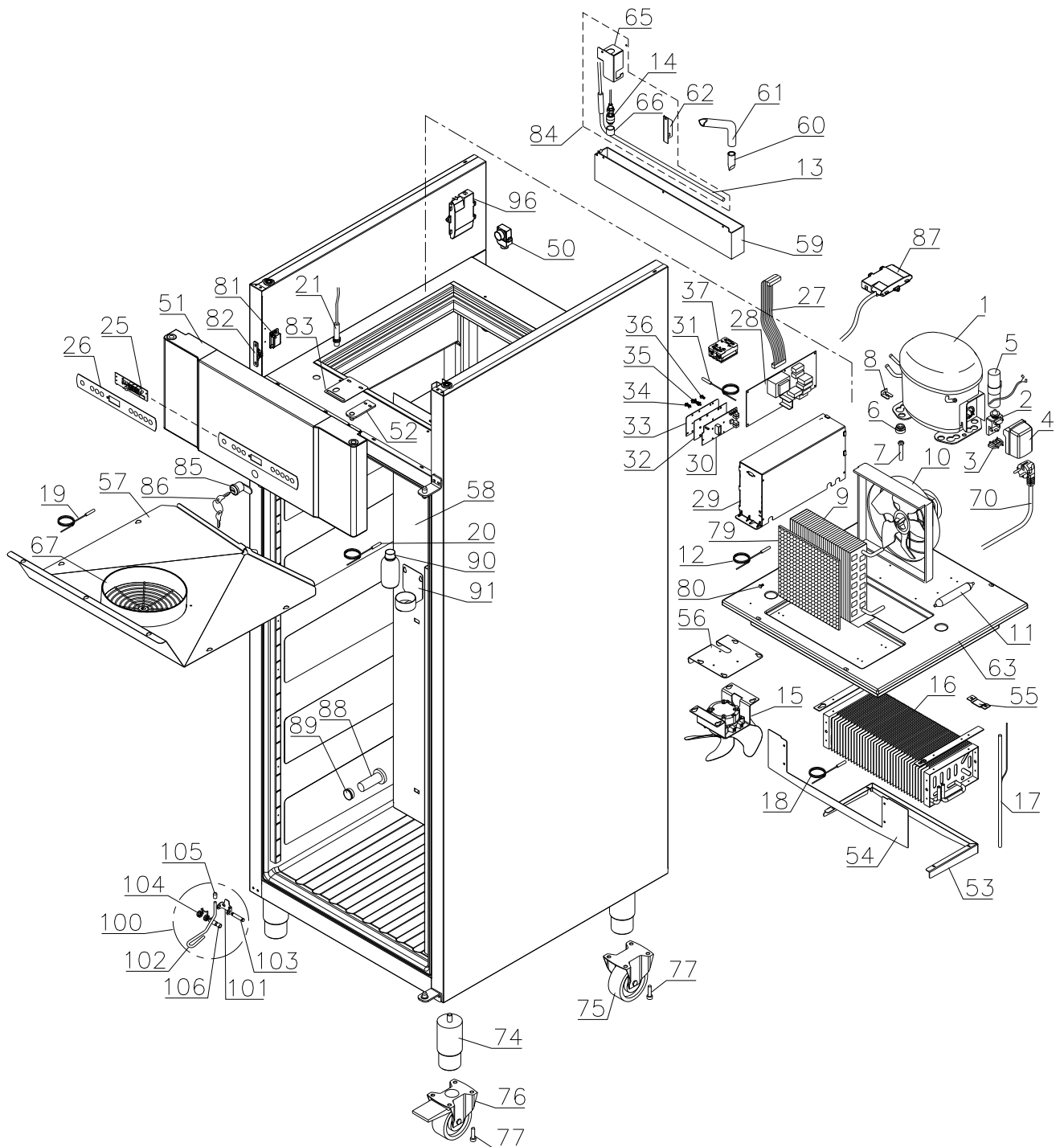


Description :

Spare parts list for BioCompact
RR 610 H

Compiled.		Latest revision.			Deleted.	
Date	Name	Date	Name	Rev.no	Date	Name
12.01.09	JP	25.11.20	JP	021		

Exploded view RR 610



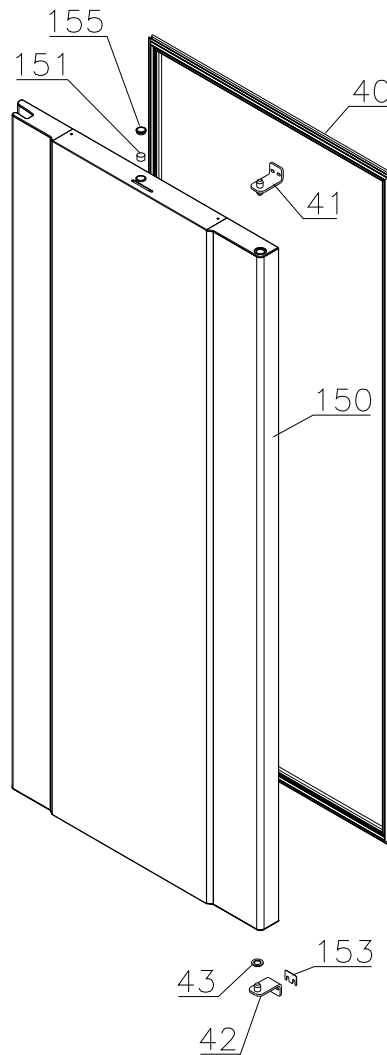
Description :

**Spare parts list for BioCompact
RR 610 H**

Compiled.		Latest revision.			Deleted.	
Date	Name	Date	Name	Rev.no	Date	Name
12.01.09	JP	25.11.20	JP	021		

Door

0508-4314

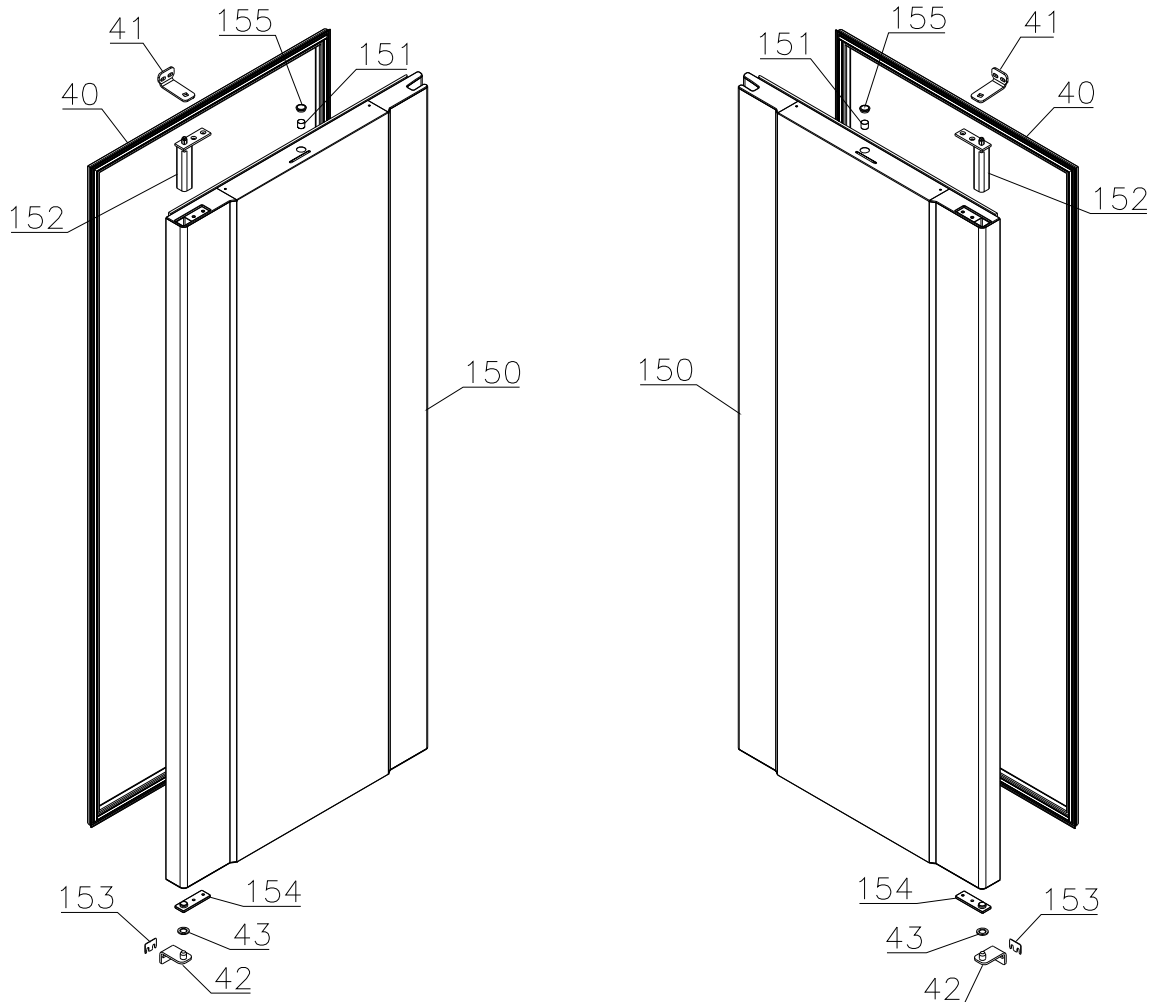


Description :

**Spare parts list for BioCompact
 RR 610 H**

Compiled.		Latest revision.			Deleted.	
Date	Name	Date	Name	Rev.no	Date	Name
12.01.09	JP	25.11.20	JP	021		

4314-

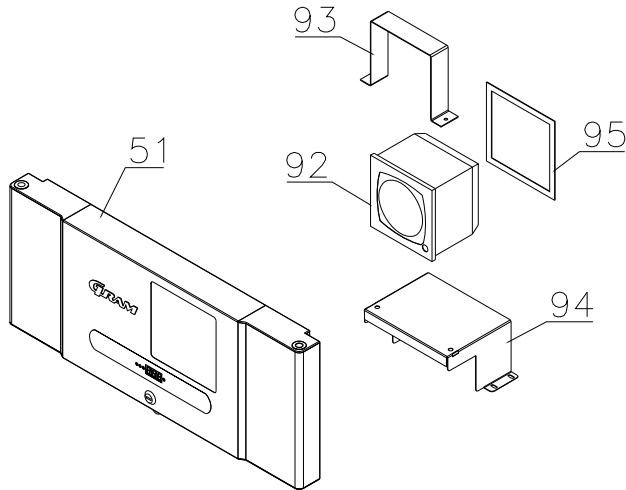


Description :

**Spare parts list for BioCompact
 RR 610 H**

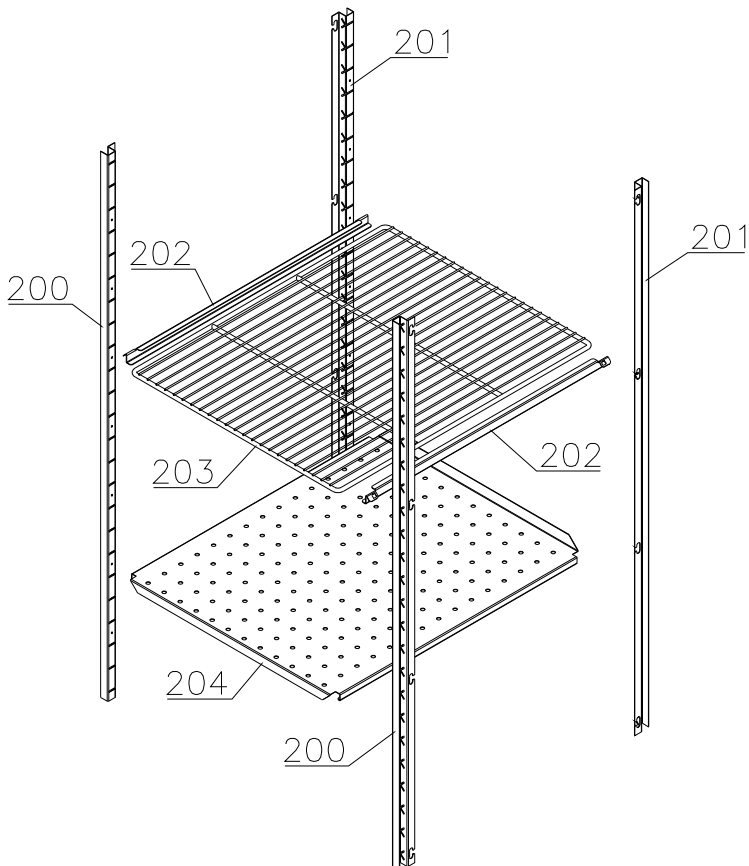
Compiled.		Latest revision.			Deleted.	
Date	Name	Date	Name	Rev.no	Date	Name
12.01.09	JP	25.11.20	JP	021		

Chart recorder parts



Interior parts

Shelves:

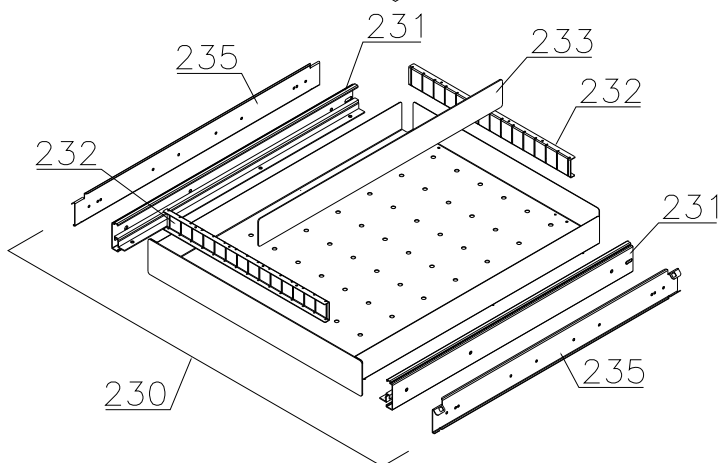
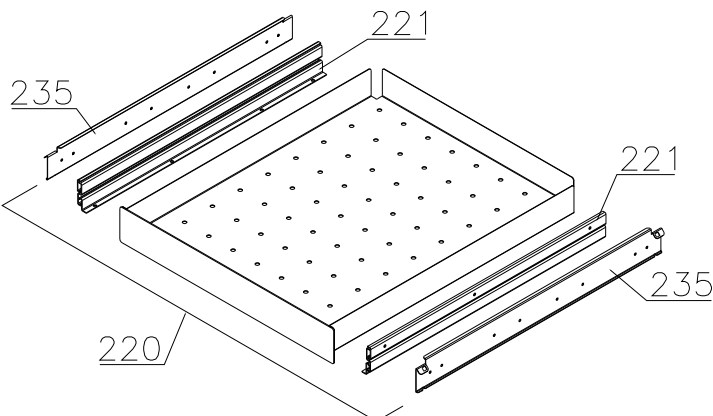
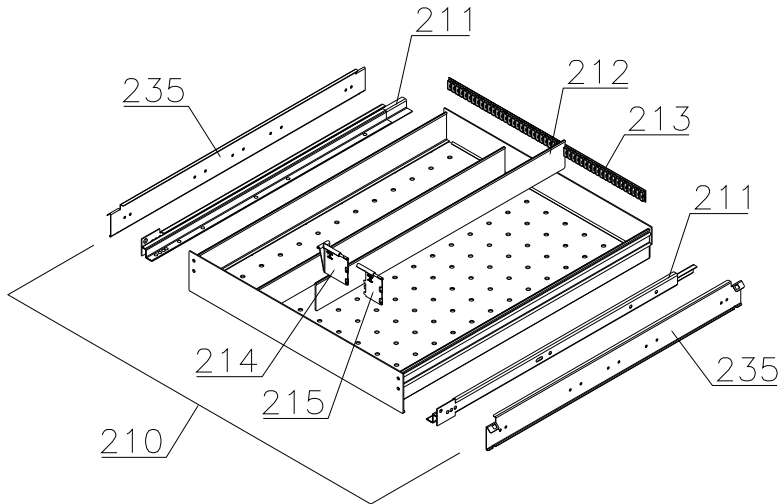


Description :

**Spare parts list for BioCompact
RR 610 H**

Compiled.		Latest revision.			Deleted.	
Date	Name	Date	Name	Rev.no	Date	Name
12.01.09	JP	25.11.20	JP	021		

Drawers:



Description :

**Spare parts list for BioCompact
RR 610 H**

Compiled.		Latest revision.			Deleted.	
Date	Name	Date	Name	Rev.no	Date	Name
12.01.09	JP	25.11.20	JP	021		

Item no.	Description	Gram part no.	week/year introduced	week/year deleted
----------	-------------	---------------	-------------------------	----------------------

Essential spare parts

1	Compressor FR 7.5 G	500550061	1508
2	Starting relay	410589015	1508
3	Cord relief	452440297	1508
4	Cover	452440293	1508
5	Start capacitor	451720018	1508
6	Rubber foot	760080519	1508
7	Screw for compressor	423200210	1508
8	Fastening clip	760082367	1508
9	Condenser	612900500	1508
10	Condenser fan guard compl.	765080189	1508
11	Filter drier	762900157	1508
12	Condenser sensor	453531500	1508
13	Re-evaporation heater	761250778	1508
14	Float switch	765072049	1508
15	Evaporator fan complete	761221902	1508
16	Evaporator	761220332	1508
17	Heat exchanger	761221403	1508
18	Defrost sensor	453531501	1508
19	Cabinet sensor	453531501	1508
20	E-sensor	453531504	1508
21	Door switch	450400113	1508
25	Controller display part	612900056	1508
26	Label with keys	765041752	1508
27	Band cable	453582046	1508
27	Band cable for LTP	765072958	3519
28	Electronic controller K2+	761256120	1508
29	Electrical box complete	761232111	1508
30	LTP controller	453580515	3519
31	LTP sensor	453531526	3519
32	PCB protection sheet	765072698	0718
33	Screening plate	765073271	0718
34	Dual locking spacer H=7.9 mm	451119525	0718
35	Dual locking spacer H=15.9 mm	451119526	0718
36	Push spacer H=7.9 mm	451119527	0718
37	Solid state relay	450200300	4717

Gram Commercial
Technical information

765041295

Description :

**Spare parts list for BioCompact
RR 610 H**

Compiled.		Latest revision.			Deleted.	
Date	Name	Date	Name	Rev.no	Date	Name
12.01.09	JP	25.11.20	JP	021		

<u>Item no.</u>	<u>Description</u>	<u>Gram part no.</u>	<u>week/year introduced</u>	<u>week/year deleted</u>
40	Door gasket	761222863	1508	
41	Hinge, top	761220385	1508	4314
41	Hinge, top, self-close	761222802	4314	
41	Hinge, top, self-close	761222803	4314	
42	Hinge, bottom	761220387	1508	4314
42	Hinge, bottom, self-close	761222819	4314	
43	Washer	760250524	1508	4314
43	Washer	421708003	4314	

Description :

**Spare parts list for BioCompact
RR 610 H**

Compiled.		Latest revision.			Deleted.	
Date	Name	Date	Name	Rev.no	Date	Name
12.01.09	JP	25.11.20	JP	021		

Item no.	Description	Gram part no.	week/year introduced	week/year deleted
----------	-------------	---------------	----------------------	-------------------

Other spare parts

50	Air relief valve	765081206	1508	
51	Front panel	stainless 761231403	0508	
51	Front panel	white 761231404	0508	
51	Front panel f. chart recorder	stainless 761231451	4400	
51	Front panel f. chart recorder	white 761231452	4400	
52	Hinge for front panel	761220388	1508	
53	Evaporator cover, side/back	761220326	1508	
54	Evaporator cover, front	761220325	1508	
55	Suspension bracket	760250295	1508	
56	Fan holder	761220369	1508	
57	Drip water tray	761221430	1508	
58	Air distribution plate	761220331	1508	
59	Re-evaporation tray	765081149	1508	
60	Water trap	760082891	1508	
61	Drain pipe	765081153	1508	5017
61	Drain pipe	765081253	5017	
62	Heater bracket	761255445	1508	2714
62	Heater bracket	763250002	2714	
63	Insulation slab	761221734	1508	
64	Screw for fan blade	612900100	1508	
65	Float switch bracket	761255446	1508	2714
65	Float switch bracket	763250002	2714	
66	Plastic cap	450450080	1508	
67	Fan guard	765081239	1508	
70	Lead and plug, DK 3-pin	765072568	1508	
70	Lead and plug, Schuko	765072566	1508	
70	Lead and plug, Switzerland	765070163	1508	
70	Lead and plug, GB	765072567	1508	
74	Leg, stainless H=135-200	765080115	1508	
75	Fixed wheel, H=125	480270520	1508	
76	Castor wheel, with brake	480260050	1508	
77	Screw M8 x 12	420050100	1508	
79	Condenser filter	761114416	1508	
80	Attachment spring	762110375	1508	289
80	Attachment plug	765081246	2809	
81	Front panel close catch	761220375	1508	
82	Front panel close keeper	761253301	1508	
83	Bracket for lock	761220376	1508	
84	Re-evap. heater kit complete	763250010	1508	

*Gram Commercial
Technical information*

765041295

Description :

**Spare parts list for BioCompact
RR 610 H**

Compiled.		Latest revision.			Deleted.	
Date	Name	Date	Name	Rev.no	Date	Name
12.01.09	JP	25.11.20	JP	021		

Item no.	Description	Gram part no.	week/year introduced	week/year deleted
85	Door lock	765080092	1508	
86	Key no. 1 (25010)	765080340	1508	
86	Key no. 2 (25020)	765080341	1508	
86	Key no. 3 (25030)	765080342	1508	
86	Key no. 4 (25040)	765080343	1508	
86	Key no. 5 (25050)	765080344	1508	
86	Master key	765080385	1508	
87	Box for alarm connection	761233402	1508	
88	Insulation plug	765080563	1508	
89	Plastic cap	501020023	1508	
90	Liquid container	765080384	1508	
91	Holder for liquid container	761256497	1508	
92	Chart recorder	761256438	1508	
93	Bracket for chart recorder	761256439	1508	
94	Base for chart recorder	761231447	1508	
95	Cover for chart recorder	761236452	1508	
96	Electrics cover	765070143	1508	
100	Foot pedal complete	819581053	0911	
101	Bracket for pedal	761224010	0911	
102	Pedal arm	761224002	0911	
103	Spindle	761224007	0911	
104	Spring	761224005	0911	
105	Plastic cap	581400021	0911	
106	Bush	761224008	0911	
150	Door complete	stainless 761230917	1508	4314
150	Door complete, self-close, right	stainless 761232903	4314	
150	Door complete, self-close, left	stainless 761232913	4314	
150	Door complete	white 761230916	1508	4314
150	Door complete, self-close, right	white 761232904	4314	
150	Door complete, self-close, left	white 761232914	4314	
151	Magnet for door switch	450401002	1508	
152	Self-close device	763251745	4314	
153	Spacer for hinge	761258621	0508	
154	Hinge bearing complete	763251755	4314	
155	Plastic cap, white	760082756	0508	
155	Plastic cap, grey	765081220	0508	

**Gram Commercial
Technical information**

765041295

Description :

**Spare parts list for BioCompact
RR 610 H**

Compiled.		Latest revision.			Deleted.	
Date	Name	Date	Name	Rev.no	Date	Name
12.01.09	JP	25.11.20	JP	021		

Item no.	Description	Gram part no.	week/year introduced	week/year deleted
----------	-------------	---------------	----------------------	-------------------

Interior equipment:

200	Wall rail, front	761220335	1508	
201	Wall rail, back	761220336	1508	
202	Shelf support rail	761256455	1508	
203	Grey wire shelf	818880008	1508	
204	Perforated shelf, stainless	761230083	1508	
210	Alu drawer, complete	761230362	2210	
211	Set of sliding rails	761234055	2210	
212	Divider rail	761230016	2210	
213	Holder for divider rail	761230063	2210	
214	Plastic divider 1	761230021	2210	
215	Plastic divider 2	761230022	2210	
220	Stainless drawer 30 kg, complete	761231232	1508	
221	Set of sliding rails	761234000	1508	
230	Stainless drawer 40 kg, complete	761231202	1508	
231	Set of sliding rails	761234058	1508	
232	Divider rail	761230305	1508	
233	Divider	761230308	1508	
235	Support for sliding rail	761230201	1508	3310
235	Support for sliding rail, right	761230278	3310	
235	Support for sliding rail, left	761230281	3310	