

Spare parts - BioCompact
RF 610 G

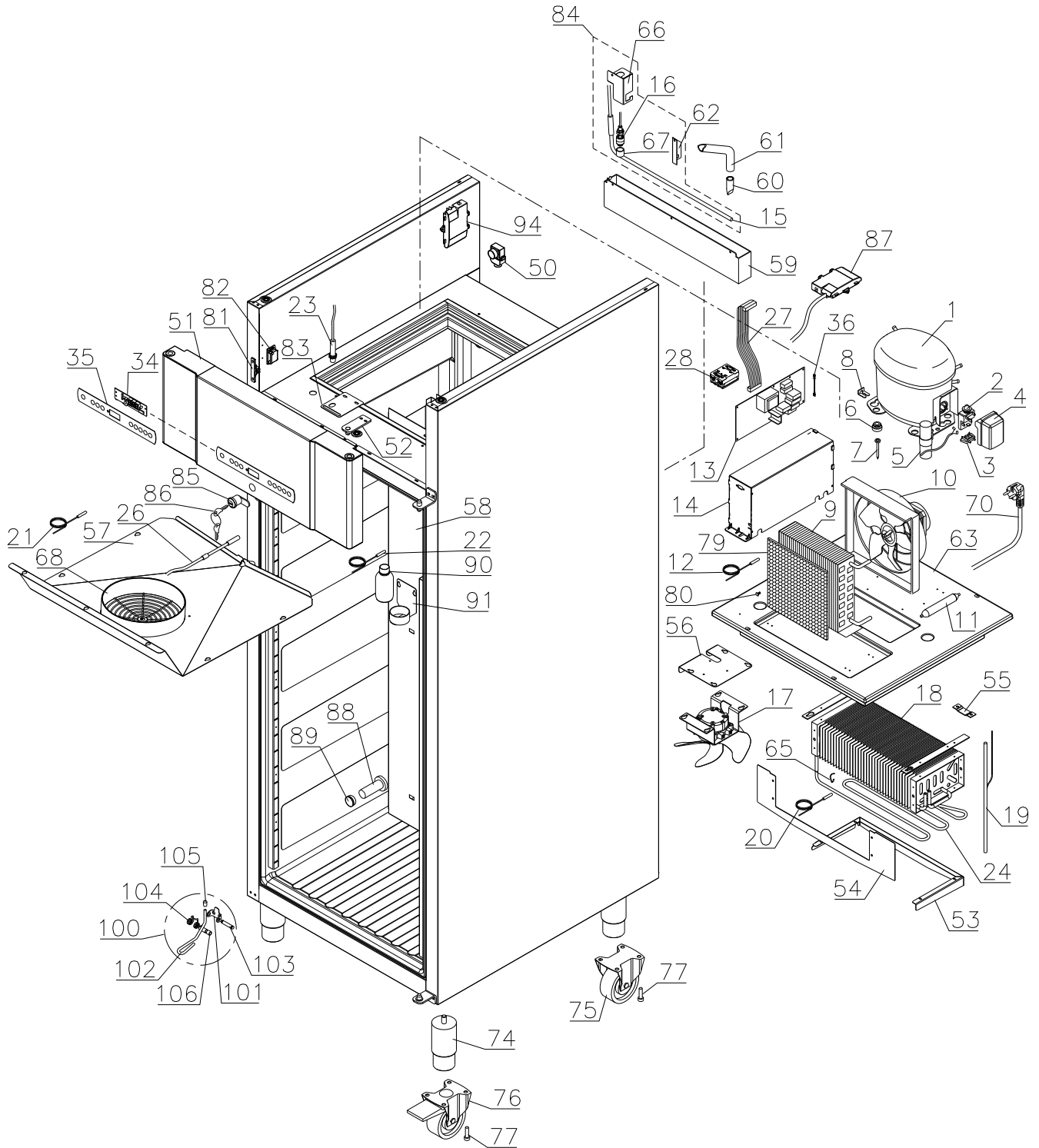


Description :

**Spare parts list for BioCompact
RF 610 G**

Compiled.		Latest revision.			Deleted.	
Date	Name	Date	Name	Rev.no	Date	Name
12.01.09	JP	25.11.20	JP	024		

Exploded view



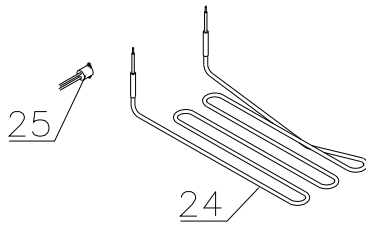
Description :

**Spare parts list for BioCompact
 RF 610 G**

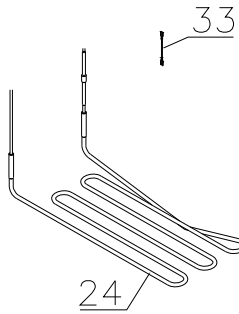
Compiled.		Latest revision.			Deleted.	
Date	Name	Date	Name	Rev.no	Date	Name
12.01.09	JP	25.11.20	JP	024		

Defrost heater

0508 – 0412



0412 -



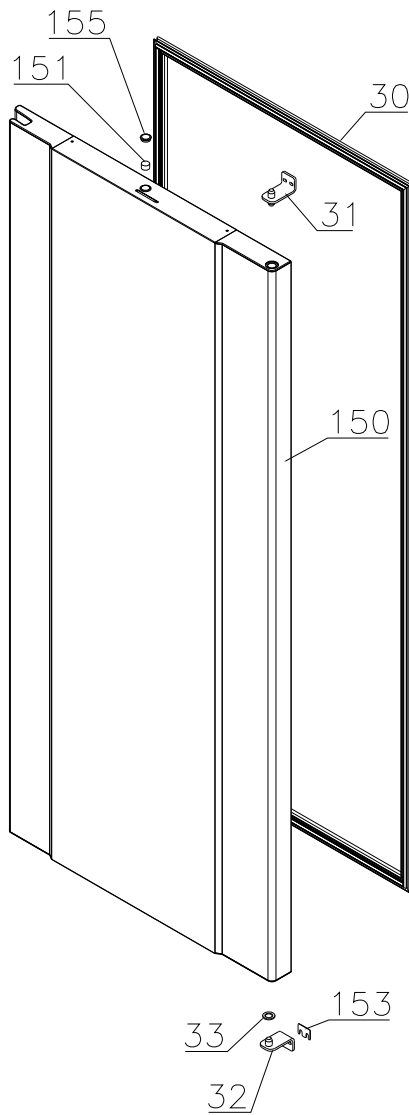
Description :

**Spare parts list for BioCompact
 RF 610 G**

Compiled.		Latest revision.			Deleted.	
Date	Name	Date	Name	Rev.no	Date	Name
12.01.09	JP	25.11.20	JP	024		

Door

0508-4314

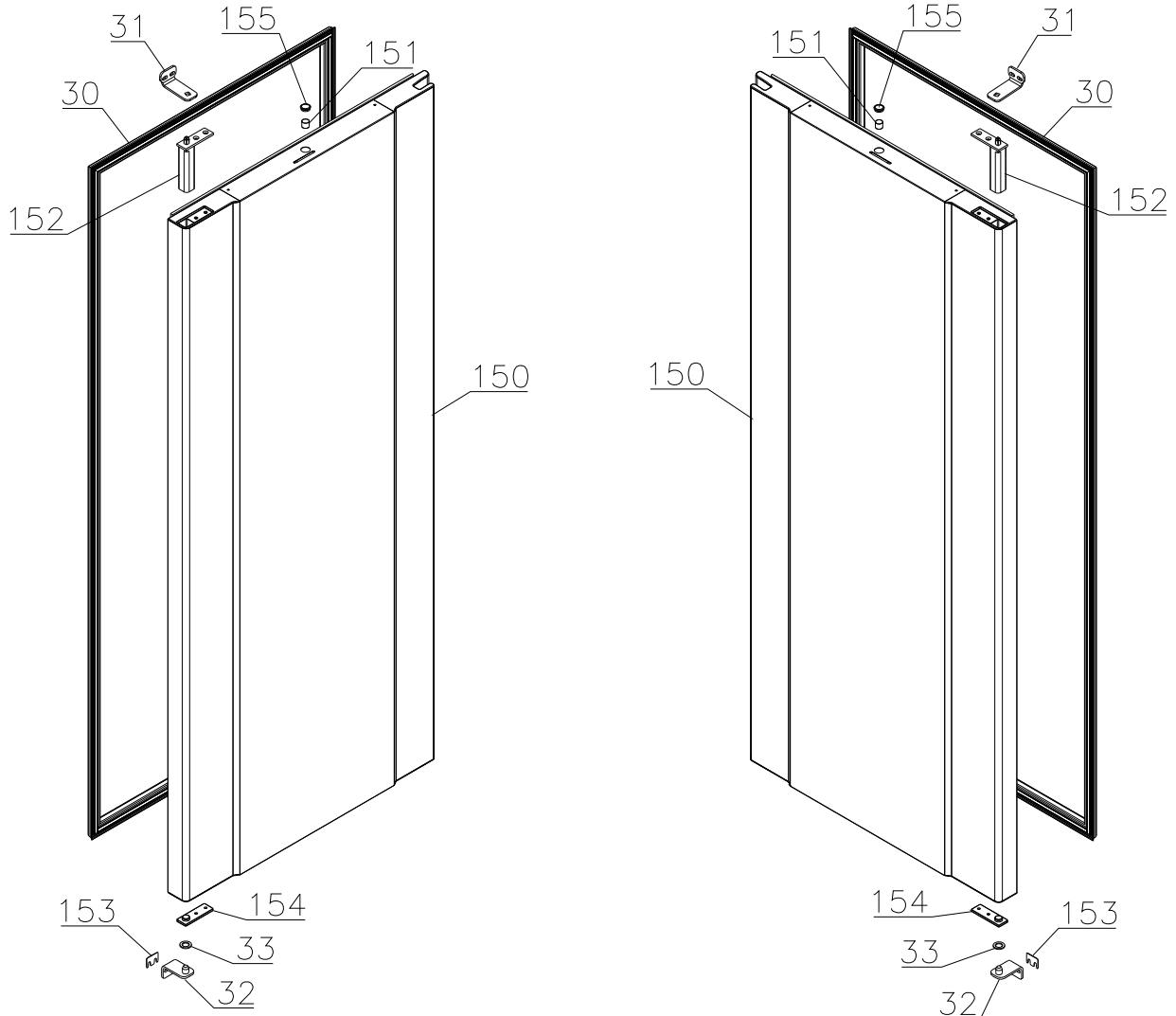


Description :

**Spare parts list for BioCompact
 RF 610 G**

Compiled.		Latest revision.			Deleted.	
Date	Name	Date	Name	Rev.no	Date	Name
12.01.09	JP	25.11.20	JP	024		

4314-

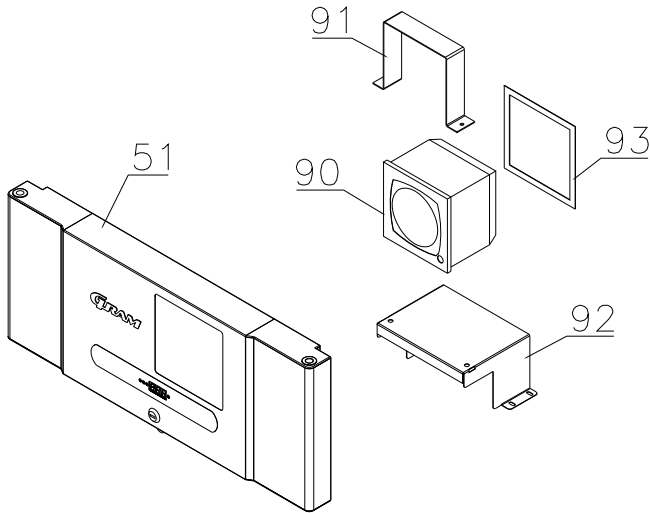


Description :

**Spare parts list for BioCompact
 RF 610 G**

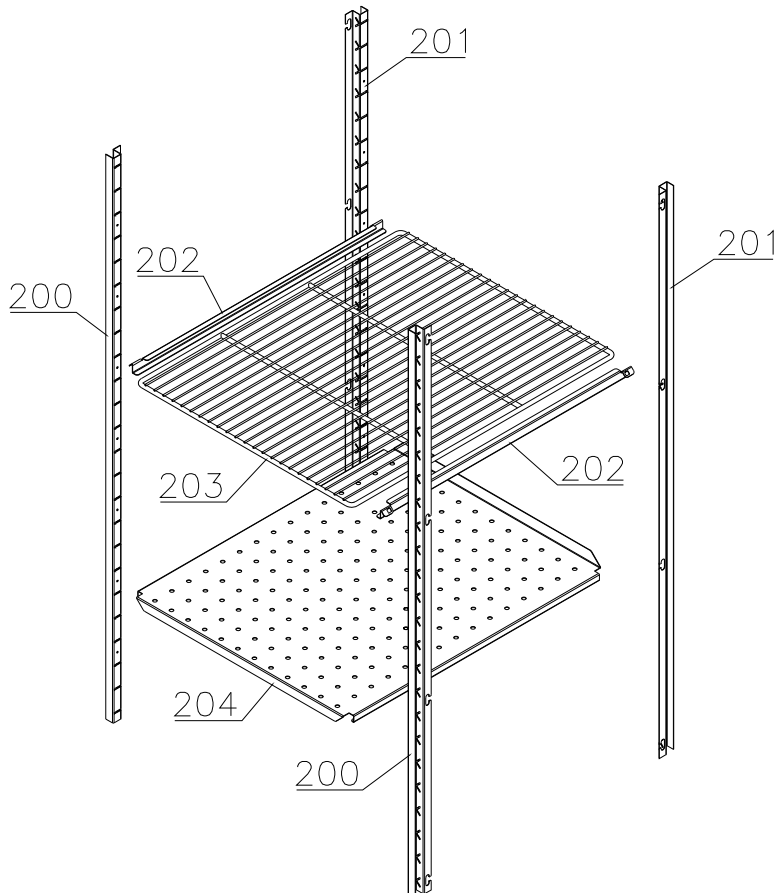
Compiled.		Latest revision.			Deleted.	
Date	Name	Date	Name	Rev.no	Date	Name
12.01.09	JP	25.11.20	JP	024		

Chart recorder parts



Interior equipment

Shelves:

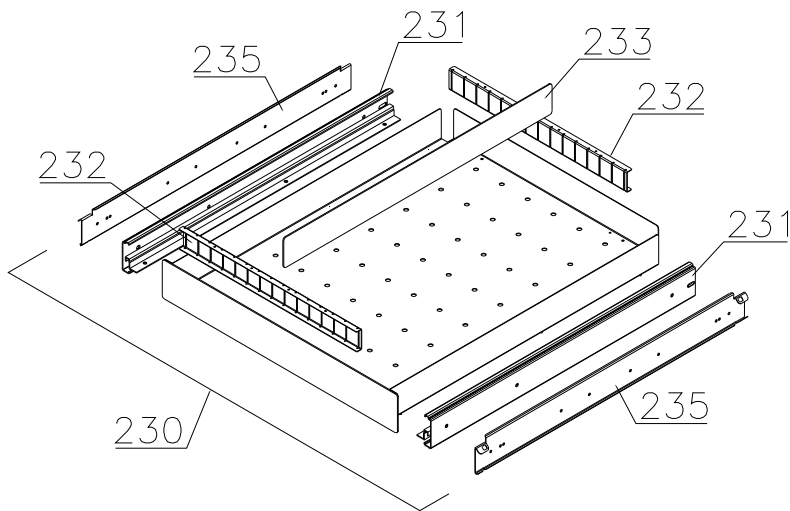
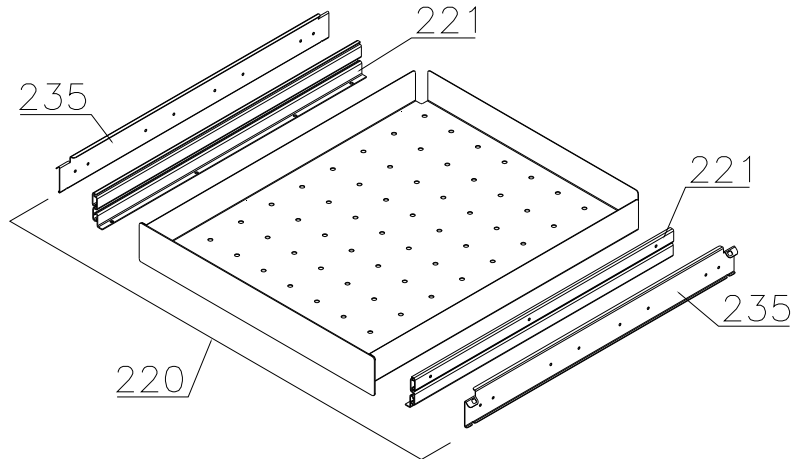


Description :

**Spare parts list for BioCompact
 RF 610 G**

Compiled.		Latest revision.			Deleted.	
Date	Name	Date	Name	Rev.no	Date	Name
12.01.09	JP	25.11.20	JP	024		

Drawers:



*Gram Commercial
Technical information*

765041296

Description :

**Spare parts list for BioCompact
RF 610 G**

Compiled.		Latest revision.			Deleted.	
Date	Name	Date	Name	Rev.no	Date	Name
12.01.09	JP	25.11.20	JP	024		

Item no.	Description	Gram part no.	week/year introduced	week/year deleted
----------	-------------	---------------	----------------------	-------------------

Essential spare parts

1	Compressor SC 12 CNX.2	502900011	0508	
2	Starting relay	410589042	0508	
3	Cord relief	452440292	0508	
4	Cover	452440280	0508	
5	Start capacitor 80µF	451720019	0508	
6	Rubber foot	760080519	0508	
7	Screw for compressor	423200210	0508	
8	Fastening clip	760082367	0508	
9	Condenser	612900501	0508	
10	Condenser fan guard compl.	765080190	0508	
11	Filter drier	762900157	0508	
12	Condenser sensor	453531500	0508	
13	Electronic controller F5+	761256134	0508	4214
13	Electronic controller F51	761256162	4214	
14	Electrical box complete	761232112	0508	
15	Re-evaporation heater	761250778	0508	
16	Float switch	765072049	0508	
17	Evaporator fan complete	761221902	0508	
18	Evaporator	761220332	0508	
19	Heat exchanger	761221403	0508	
20	Defrost sensor	453531501	0508	
21	Cabinet sensor	453531501	0508	
22	E-sensor	453531504	0508	
23	Door switch	450400113	0508	
24	Defrost heater	765072060	0508	
25	Safety switch	765071966	0508	0412
26	Drain line heater	765071967	0508	
27	Band cable	453582046	0508	
28	Solid state relay	450200300	4717	
30	Door gasket	761222863	0508	
31	Hinge, top	761220385	0508	4314
31	Hinge, top, self-close	right	761222802	4314
31	Hinge, top, self-close	left	761222803	4314
32	Hinge, bottom	761220387	0508	4314
32	Hinge, bottom, self-close	761222819	4314	
33	Washer	760250524	0508	4314
33	Washer	421708003	4314	
34	Controller display part	612900056	0508	
35	Label with keys	765041752	0508	
36	Wire for defrost heater	765072664	0412	

Description :

**Spare parts list for BioCompact
RF 610 G**

Compiled.		Latest revision.			Deleted.	
Date	Name	Date	Name	Rev.no	Date	Name
12.01.09	JP	25.11.20	JP	024		

Item no.	Description	Gram part no.	week/year introduced	week/year deleted
----------	-------------	---------------	----------------------	-------------------

Other spare parts

50	Air relief valve	765081206	0508	
51	Front panel	stainless 761231403	0508	
51	Front panel	white 761231404	0508	
51	Front panel f. chart recorder	stainless 761231451	4410	
51	Front panel f. chart recorder	white 761231452	4410	
52	Hinge for front panel	761220388	0508	
53	Evaporator cover, side/back	761220326	0508	
54	Evaporator cover, front	761220325	0508	
55	Suspension bracket	760250295	0508	
56	Fan holder	761220369	0508	
57	Drip water tray	761221430	0508	
58	Air distribution plate	761220331	0508	
59	Re-evaporation tray	765081149	0508	
60	Water trap	760082891	0508	
61	Drain pipe	765081153	0508	5017
61	Drain pipe	765081253	5017	
62	Heater bracket	761255445	0508	2714
62	Heater bracket	763250002	2714	
63	Insulation slab	761221734	0508	
64	Screw for fan blade	612900100	0508	
65	Bracket for heater	761254427	0508	
66	Float switch bracket	761255446	0508	2714
66	Float switch bracket	763250003	2714	
67	Plastic cap	450450080	0508	
68	Fan guard	765081239	0508	
70	Lead and plug, DK 3-pin	765072568	0508	
70	Lead and plug, Schuko	765072566	0508	
70	Lead and plug, Switzerland	765070163	0508	
70	Lead and plug, GB	765072567	0508	
74	Leg, stainless H=135-200	765080115	0508	
75	Fixed wheel, H=125	480270520	0508	
76	Castor wheel, with brake	480260050	0508	
77	Screw M8 x 12	420050100	0508	

*Gram Commercial
Technical information*

765041296

Description :

**Spare parts list for BioCompact
RF 610 G**

Compiled.		Latest revision.			Deleted.	
Date	Name	Date	Name	Rev.no	Date	Name
12.01.09	JP	25.11.20	JP	024		

Item no.	Description	Gram part no.	week/year introduced	week/year deleted	
79	Condenser filter	761114423	0508		
80	Attachment spring	762110375	0508	2809	
80	Attachment plug	765081246	2809		
81	Front panel close catch	761220375	0508		
82	Front panel close keeper	761220374	0508		
83	Bracket for lock	761220376	0508		
84	Re-evap. heater kit complete	763254026	0508		
85	Door lock	765080092	0508		
86	Key no. 1 (25010)	765080340	0508		
86	Key no. 2 (25020)	765080341	0508		
86	Key no. 3 (25030)	765080342	0508		
86	Key no. 4 (25040)	765080343	0508		
86	Key no. 5 (25050)	765080344	0508		
86	Master key	765080385	0508		
87	Box for alarm connection	761233402	0508		
88	Insulation plug	765080563	0508		
89	Plastic cap	501020023	0508		
90	Liquid container	765080384	0508		
91	Holder for liquid container	761256497	0508		
90	Chart recorder	761256438	4410		
91	Bracket for chart recorder	761256439	4410		
92	Base for chart recorder	761231447	4410		
93	Cover for chart recorder	761256452	4410		
94	Electrics cover	765070143	0508		
100	Foot pedal complete	819581053	0911		
101	Bracket for pedal	761224010	0911		
102	Pedal arm	761224002	0911		
103	Spindle	761224007	0911		
104	Spring	761224005	0911		
105	Plastic cap	581400021	0911		
106	Bush	761224008	0911		
150	Door complete	stainless	761230922	0508	4314
150	Door complete, self-close, right	stainless	761232924	4314	
150	Door complete, self-close, left	stainless	761232925	4314	
150	Door complete	white	761230921	0508	4314
150	Door complete, self-close, right	white	761232926	4314	
150	Door complete, self-close, left	white	761232927	4314	
151	Magnet for door switch		450401002	0508	
152	Self-close device		763251745	4314	
153	Spacer for hinge		761258621	0508	
154	Hinge bearing complete		763251755	4314	
155	Plastic cap, white		760082756	0508	
155	Plastic cap, grey		765081220	0508	

Gram Commercial
Technical information

765041296

Description :

**Spare parts list for BioCompact
RF 610 G**

Compiled.		Latest revision.			Deleted.	
Date	Name	Date	Name	Rev.no	Date	Name
12.01.09	JP	25.11.20	JP	024		

Item no.	Description	Gram part no.	week/year introduced	week/year deleted
----------	-------------	---------------	----------------------	-------------------

Interior equipment:

200	Wall rail, front	761220335	0508	
201	Wall rail, back	761220336	0508	
202	Shelf support rail	761256455	0508	
203	Grey wire shelf	818880008	0508	
204	Perforated shelf, stainless	761230083	0508	
220	Stainless drawer 30 kg, complete	761231232	0508	
221	Set of sliding rails	761234000	0508	
230	Stainless drawer 40 kg, complete	761231202	0508	
231	Set of sliding rails	761234058	0508	
232	Divider rail	761230305	0508	
233	Divider	761230308	0508	
235	Support for sliding rail	761230201	0508	3310
235	Support for sliding rail, right	761230278	3310	
235	Support for sliding rail, left	761230281	3310	