

Spare parts - BioCompact II
RF 610 H

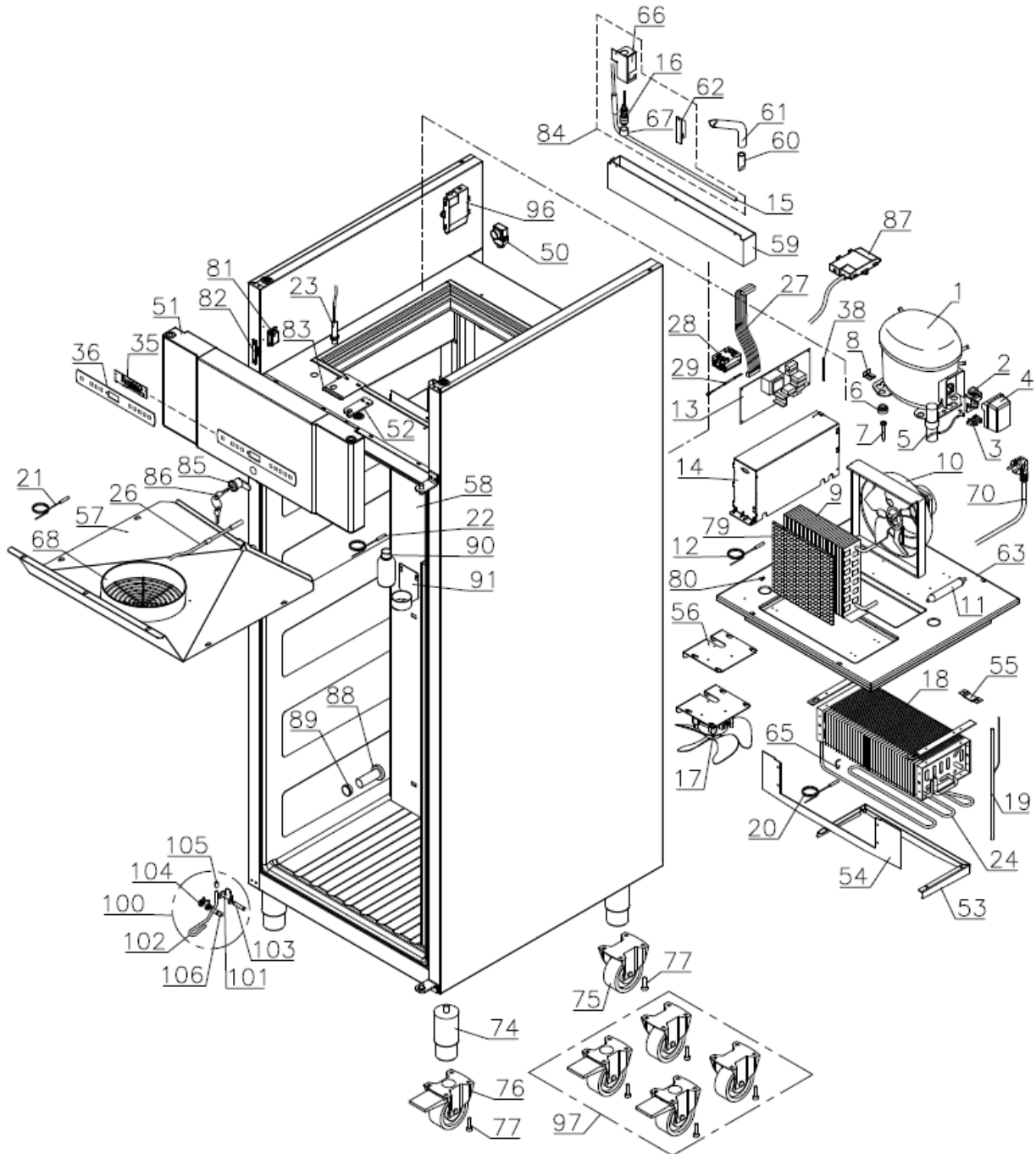


Description :

Spare parts list for BioCompact II
RF 610 H

| Compiled. | | Latest revision. | | | Deleted. | |
|-----------|------|------------------|------|--------|----------|------|
| Date | Name | Date | Name | Rev.no | Date | Name |
| 12.01.09 | JP | 14.10.24 | jolu | 031 | | |

Exploded view



Technical information

765041297

Description :

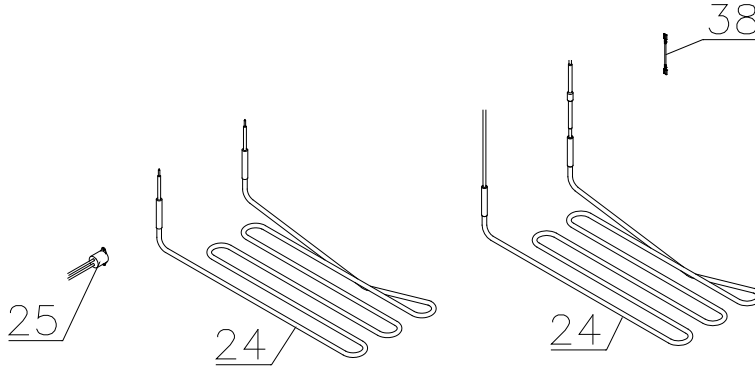
Spare parts list for BioCompact II
RF 610 H

| Compiled. | | Latest revision. | | | Deleted. | |
|-----------|------|------------------|------|--------|----------|------|
| Date | Name | Date | Name | Rev.no | Date | Name |
| 12.01.09 | JP | 14.10.24 | jolu | 031 | | |

Defrost heater

1508 – 0412

0412 -



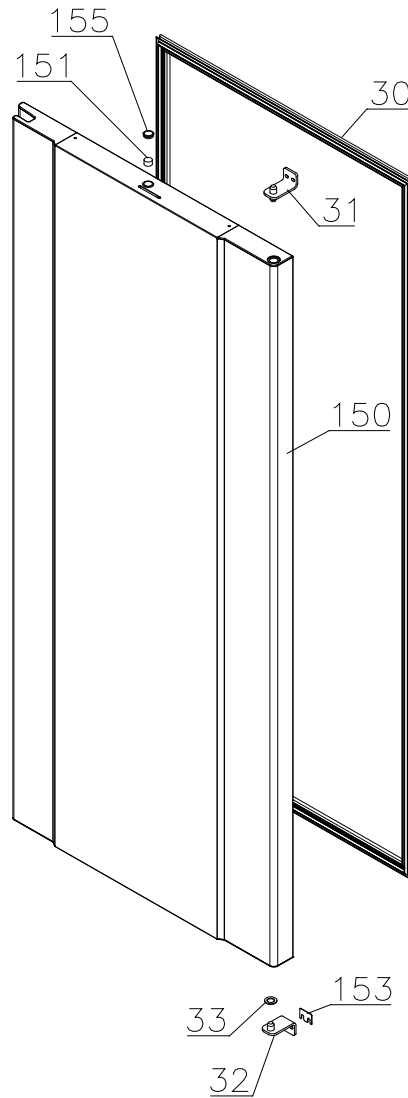
Description :

**Spare parts list for BioCompact II
RF 610 H**

| Compiled. | | Latest revision. | | | Deleted. | |
|-----------|------|------------------|------|--------|----------|------|
| Date | Name | Date | Name | Rev.no | Date | Name |
| 12.01.09 | JP | 14.10.24 | jolu | 031 | | |

Door

0508-4314

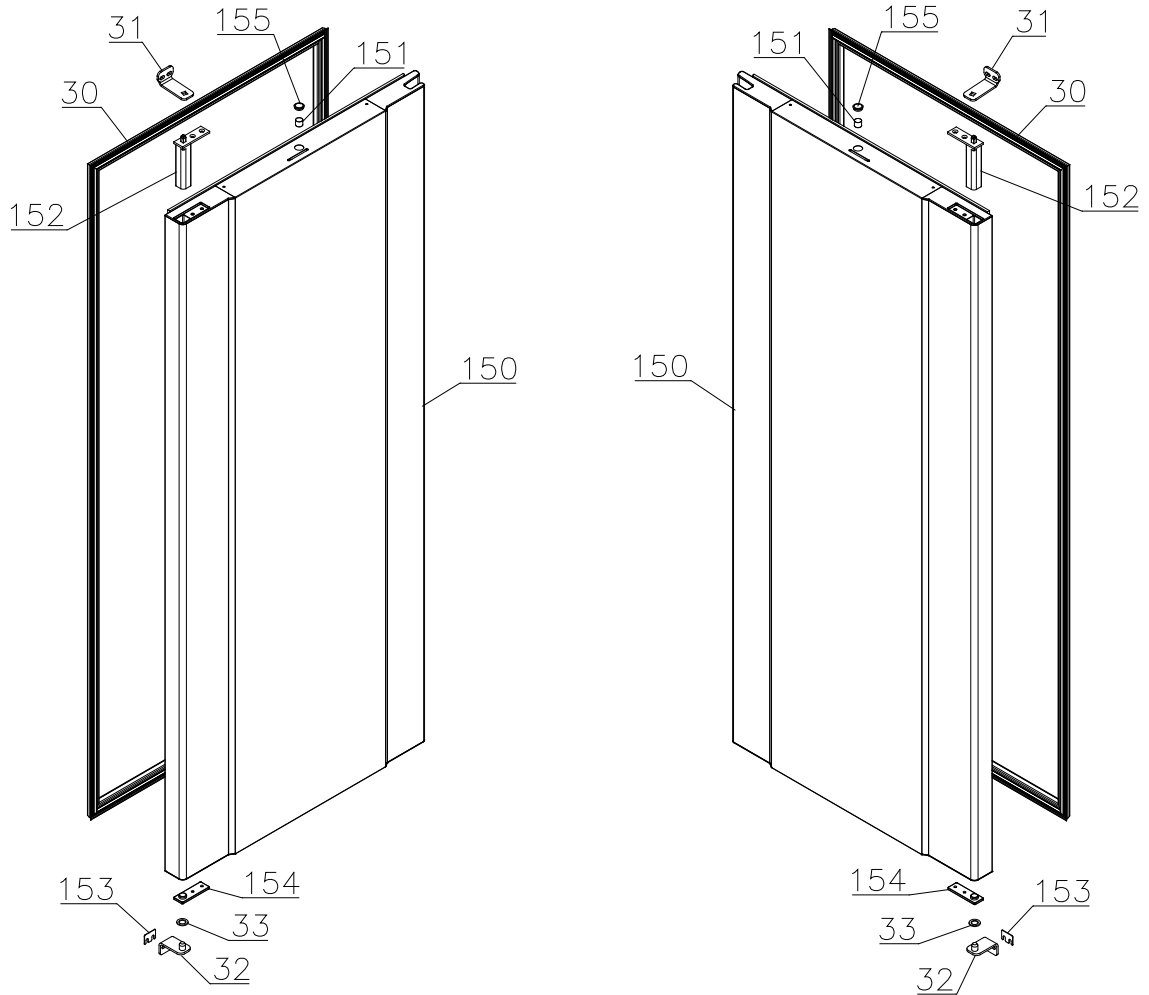


Description :

**Spare parts list for BioCompact II
RF 610 H**

| Compiled. | | Latest revision. | | | Deleted. | |
|-----------|------|------------------|------|--------|----------|------|
| Date | Name | Date | Name | Rev.no | Date | Name |
| 12.01.09 | JP | 14.10.24 | jolu | 031 | | |

4314-

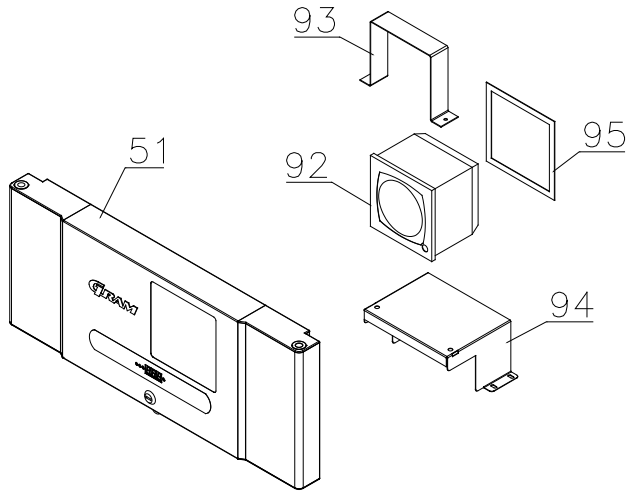


Description :

**Spare parts list for BioCompact II
RF 610 H**

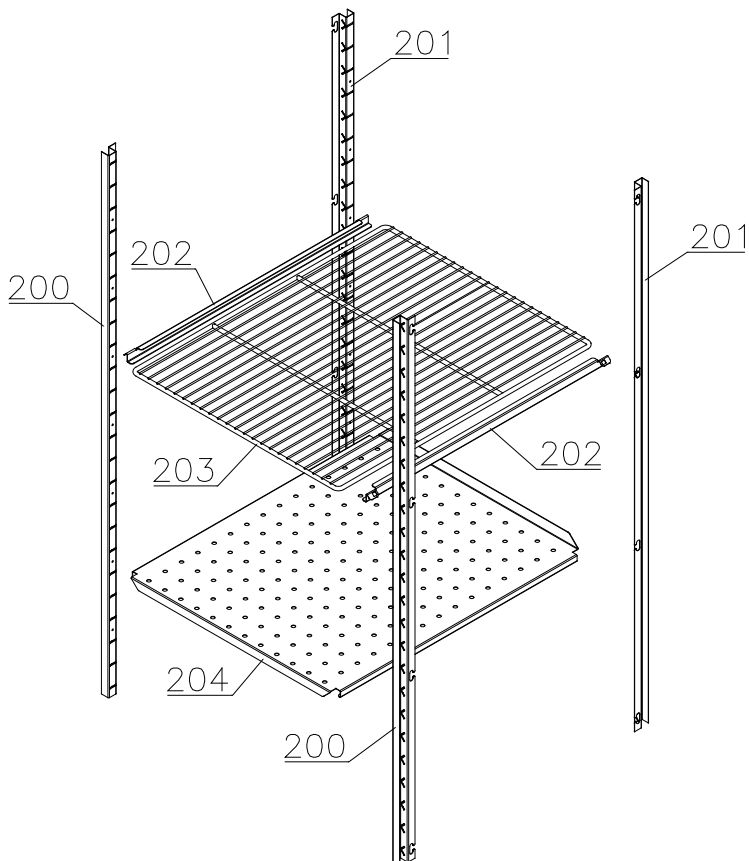
| Compiled. | | Latest revision. | | | Deleted. | |
|-----------|------|------------------|------|--------|----------|------|
| Date | Name | Date | Name | Rev.no | Date | Name |
| 12.01.09 | JP | 14.10.24 | jolu | 031 | | |

Chart recorder parts



Interior equipment

Shelves:



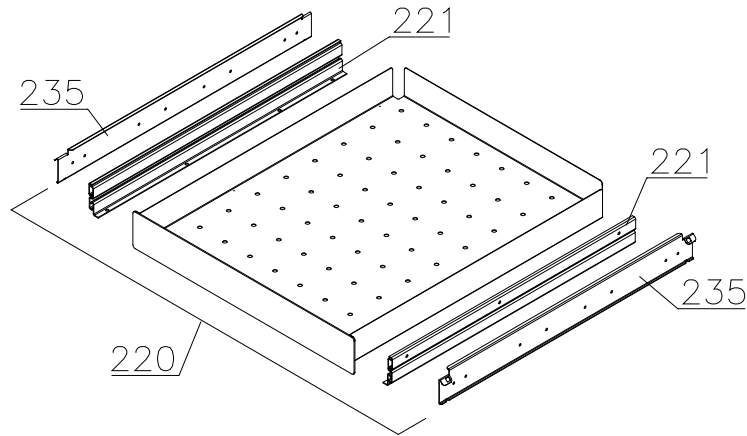
Description :

**Spare parts list for BioCompact II
RF 610 H**

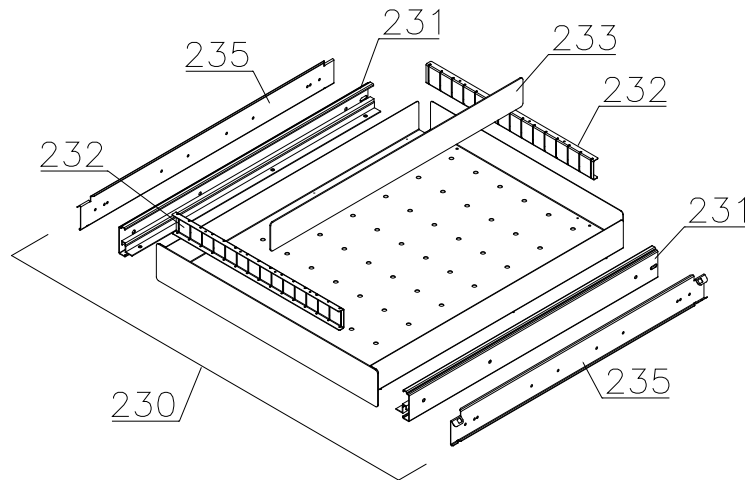
| Compiled. | | Latest revision. | | | Deleted. | |
|-----------|------|------------------|------|--------|----------|------|
| Date | Name | Date | Name | Rev.no | Date | Name |
| 12.01.09 | JP | 14.10.24 | jolu | 031 | | |

Drawers:

Stainless – 30 kg



Stainless – 40 kg



Technical information

765041297

Description :

**Spare parts list for BioCompact II
RF 610 H**

| Compiled. | | Latest revision. | | | Deleted. | |
|-----------|------|------------------|------|--------|----------|------|
| Date | Name | Date | Name | Rev.no | Date | Name |
| 12.01.09 | JP | 14.10.24 | jolu | 031 | | |

| Item no. | Description | Gram part no. | week/year introduced | week/year deleted |
|----------|-------------|---------------|----------------------|-------------------|
|----------|-------------|---------------|----------------------|-------------------|

Essential spare parts

RF 610 – 50Hz:

| | | | | |
|---|----------------------|-----------|------|--|
| 1 | Compressor SC12CLX.2 | 500520257 | 1508 | |
| 2 | Starting relay | 410589038 | 1508 | |
| 3 | Cord relief | 452440292 | 1508 | |
| 4 | Cover | 452440280 | 1508 | |
| 5 | Start capacitor 80µF | 451720020 | 1508 | |

RF 610 – 60Hz:

| | | | | |
|---|----------------------|-----------|------|--|
| 1 | Compressor SC 10 CLX | 500520102 | 1508 | |
| 2 | Starting relay | 410589021 | 1508 | |
| 3 | Cord relief | 452440292 | 1508 | |
| 4 | Cover | 452440291 | 1508 | |
| 5 | Start capacitor 80µF | 451720020 | 1508 | |

Common parts:

| | | | | |
|----|----------------------------|-----------|------|------|
| 6 | Rubber foot | 760080519 | 1508 | |
| 7 | Screw for compressor | 423200210 | 1508 | |
| 8 | Fastening clip | 760082367 | 1508 | |
| 9 | Condenser | 612900501 | 1508 | |
| 10 | Condenser fan guard compl. | 765080190 | 1508 | |
| 11 | Filter drier | 762900157 | 1508 | |
| 12 | Condenser sensor | 453531500 | 1508 | |
| 13 | Electronic controller F5+ | 761256134 | 1508 | 4214 |
| 13 | Electronic controller F51 | 761256162 | 4214 | |
| 14 | Electrical box complete | 761232112 | 1508 | |
| 15 | Re-evaporation heater | 761250778 | 1508 | |
| 16 | Float switch | 765072049 | 1508 | |
| 17 | Evaporator fan complete | 761221902 | 1508 | 3921 |
| 17 | Evaporator fan complete | 761221904 | 3921 | |
| 18 | Evaporator | 761220332 | 1508 | |
| 19 | Heat exchanger | 761221403 | 1508 | |
| 20 | Defrost sensor | 453531501 | 1508 | |
| 21 | Cabinet sensor | 453531501 | 1508 | |
| 22 | E-sensor | 453531504 | 1508 | |
| 23 | Door switch | 450400113 | 1508 | |

Technical information

765041297

Description :

**Spare parts list for BioCompact II
RF 610 H**

| Compiled. | | Latest revision. | | | Deleted. | |
|-----------|------|------------------|------|--------|----------|------|
| Date | Name | Date | Name | Rev.no | Date | Name |
| 12.01.09 | JP | 14.10.24 | jolu | 031 | | |

| Item no. | Description | Gram part no. | week/year introduced | week/year deleted |
|----------|-------------------------------|---------------|----------------------|-------------------|
| 24 | Defrost heater | 765072060 | 1508 | |
| 25 | Safety switch | 765071966 | 1508 | 0412 |
| 26 | Drip water heater | 765071967 | 1508 | |
| 27 | Band cable | 453582046 | 0508 | |
| 28 | Solid state relay | 450200300 | 4717 | |
| 29 | Cable to SSR incl. resistance | 765071445 | 1023 | |
| 30 | Door gasket | 761222863 | 1508 | |
| 31 | Hinge, top | 761220385 | 1508 | 4314 |
| 31 | Hinge, top, self-close | right | 761222802 | 4314 |
| 31 | Hinge, top, self-close | left | 761222803 | 4314 |
| 32 | Hinge, bottom | 761220387 | 1508 | 4314 |
| 32 | Hinge, bottom, self-close | 761222819 | 4314 | |
| 33 | Washer | 760250524 | 0508 | 4314 |
| 33 | Washer | 421708003 | 4314 | |
| 35 | Controller display part | 612900056 | 1508 | |
| 37 | Label with keys | 765041752 | 1508 | |
| 38 | Wire for defrost heater | 765072664 | 0412 | |

Technical information

765041297

Description :

**Spare parts list for BioCompact II
RF 610 H**

| Compiled. | | Latest revision. | | | Deleted. | |
|-----------|------|------------------|------|--------|----------|------|
| Date | Name | Date | Name | Rev.no | Date | Name |
| 12.01.09 | JP | 14.10.24 | jolu | 031 | | |

| Item no. | Description | Gram part no. | week/year introduced | week/year deleted |
|----------|-------------|---------------|----------------------|-------------------|
|----------|-------------|---------------|----------------------|-------------------|

Other spare parts

| | | | | |
|----|-------------------------------|---------------------|------|------|
| 50 | Air relief valve | 765081206 | 1508 | |
| 51 | Front panel | stainless 761231403 | 0508 | |
| 51 | Front panel | white 761231404 | 0508 | |
| 51 | Front panel f. chart recorder | stainless 761231451 | 4410 | |
| 51 | Front panel f. chart recorder | white 761231452 | 4410 | |
| 52 | Hinge for front panel | 761220388 | 1508 | |
| 53 | Evaporator cover, side/back | 761220326 | 1508 | |
| 54 | Evaporator cover, front | 761220325 | 1508 | |
| 55 | Suspension bracket | 760250295 | 1508 | |
| 56 | Fan holder | 761220369 | 1508 | |
| 57 | Drip water tray | 761221430 | 1508 | |
| 58 | Air distribution plate | 761220331 | 1508 | |
| 59 | Re-evaporation tray | 765081149 | 1508 | |
| 60 | Water trap | 760082891 | 1508 | |
| 61 | Drain pipe | 765081153 | 1508 | 5017 |
| 61 | Drain pipe | 765081253 | 5017 | |
| 62 | Heater bracket | 761255445 | 1508 | 2714 |
| 62 | Heater bracket | 763250002 | 2714 | |
| 63 | Insulation slab | 761221734 | 1508 | |
| 64 | Screw for fan blade | 612900100 | 1508 | |
| 65 | Bracket for heater | 761254427 | 1508 | |
| 66 | Float switch bracket | 761255446 | 1508 | 2714 |
| 66 | Float switch bracket | 763250002 | 2714 | |
| 67 | Plastic cap | 450450080 | 1508 | |
| 68 | Fan guard | 765081239 | 1508 | |
| 70 | Lead and plug, DK 3-pin | 765072568 | 1508 | |
| 70 | Lead and plug, Schuko | 765072566 | 1508 | |
| 70 | Lead and plug, Switzerland | 765070163 | 1508 | |
| 70 | Lead and plug, GB | 765072567 | 1508 | |
| 74 | Leg, stainless H=135-200 | 765080115 | 1508 | |
| 75 | Fixed wheel, H=125 | 480270520 | 1508 | |
| 76 | Castor wheel, with brake | 480260050 | 1508 | |
| 77 | Screw M8 x 12 | 422715000 | 1508 | |
| 79 | Condenser filter | 761114423 | 1508 | |
| 80 | Attachment spring | 762110375 | 1508 | 2809 |
| 80 | Attachment spring | 765081246 | 2809 | |
| 81 | Front panel close catch | 761220375 | 1508 | |
| 82 | Front panel close keeper | 761220374 | 1508 | |
| 83 | Bracket for lock | 761220376 | 1508 | |
| 84 | Re-evap. heater kit complete | 763254026 | 1508 | |

Technical information

765041297

Description :

Spare parts list for BioCompact II RF 610 H

| Compiled. | | Latest revision. | | | Deleted. | |
|-----------|------|------------------|------|--------|----------|------|
| Date | Name | Date | Name | Rev.no | Date | Name |
| 12.01.09 | JP | 14.10.24 | jolu | 031 | | |

| Item no. | Description | Gram part no. | week/year introduced | week/year deleted |
|----------|----------------------------------|---------------------|----------------------|-------------------|
| 85 | Door lock | 765080092 | 1508 | |
| 86 | Key no. 1 (25010) | 765080340 | 1508 | |
| 86 | Key no. 2 (25020) | 765080341 | 1508 | |
| 86 | Key no. 3 (25030) | 765080342 | 1508 | |
| 86 | Key no. 4 (25040) | 765080343 | 1508 | |
| 86 | Key no. 5 (25050) | 765080344 | 1508 | |
| 86 | Master key | 765080385 | 1508 | |
| 87 | Box for alarm connection | 761232402 | 1508 | |
| 88 | Insulation plug | 765080563 | 1508 | |
| 89 | Plastic cap | 501020023 | 1508 | |
| 90 | Liquid container | 765080384 | 1508 | |
| 91 | Holder for liquid container | 761256497 | 1508 | |
| 92 | Chart recorder | 761256438 | 4410 | |
| 93 | Bracket for chart recorder | 761256439 | 4410 | |
| 94 | Base for chart recorder | 761231447 | 4410 | |
| 95 | Cover for chart recorder | 761256452 | 4410 | |
| 96 | Electrics cover | 765070143 | 1508 | |
| 97 | Set of castor wheels | 818899905 | 1508 | |
| 100 | Foot pedal complete | 819581053 | 0911 | |
| 101 | Bracket for pedal | 761224010 | 0911 | |
| 102 | Pedal arm | 761224002 | 0911 | |
| 103 | Spindle | 761224007 | 0911 | |
| 104 | Spring | 761224005 | 0911 | |
| 105 | Plastic cap | 581400021 | 0911 | |
| 106 | Bush | 761224008 | 0911 | |
| 150 | Door complete | stainless 761230922 | 0508 | 4314 |
| 150 | Door complete | white 761230921 | 0508 | 4314 |
| 150 | Door complete, self-close, right | stainless 761232924 | 4314 | 4024 |
| 150 | Door complete, self-close, right | stainless 762234014 | 4124 | |
| 150 | Door complete, self-close, left | stainless 761232925 | 4314 | 4024 |
| 150 | Door complete, self-close, left | stainless 762234015 | 4124 | |
| 150 | Door complete, self-close, right | white 761232926 | 4314 | 4024 |
| 150 | Door complete, self-close, right | white 762234012 | 4124 | |
| 150 | Door complete, self-close, left | white 761232927 | 4314 | 4024 |
| 150 | Door complete, self-close, left | white 762234013 | 4124 | |
| 151 | Magnet for door switch | 450401002 | 1508 | |
| 152 | Self-close device | 763251745 | 4314 | |
| 153 | Spacer for hinge | 761258621 | 1508 | |
| 154 | Hinge bearing complete | 763251755 | 4314 | |
| 155 | Plastic cap, white | 760082756 | 0508 | |
| 155 | Plastic cap, grey | 765081220 | 0508 | |

Technical information

765041297

Description :

**Spare parts list for BioCompact II
RF 610 H**

| Compiled. | | Latest revision. | | | Deleted. | |
|-----------|------|------------------|------|--------|----------|------|
| Date | Name | Date | Name | Rev.no | Date | Name |
| 12.01.09 | JP | 14.10.24 | jolu | 031 | | |

| Item no. | Description | Gram part no. | week/year introduced | week/year deleted |
|----------|-------------|---------------|----------------------|-------------------|
|----------|-------------|---------------|----------------------|-------------------|

Interior equipment:

| | | | | |
|-----|----------------------------------|-----------|------|------|
| 200 | Wall rail, front | 761220335 | 0508 | |
| 201 | Wall rail, back | 761220336 | 0508 | |
| 202 | Shelf support rail | 761256455 | 0508 | |
| 203 | Grey wire shelf | 818880008 | 0508 | |
| 204 | Perforated shelf, stainless | 761230083 | 0508 | |
| 220 | Stainless drawer 30 kg, complete | 761231232 | 0508 | |
| 221 | Set of sliding rails | 761234000 | 0508 | |
| 230 | Stainless drawer 40 kg, complete | 761231202 | 0508 | |
| 231 | Set of sliding rails | 761234058 | 0508 | |
| 232 | Divider rail | 761230305 | 0508 | |
| 233 | Divider | 761230308 | 0508 | |
| 235 | Support for sliding rail | 761230201 | 0508 | 3310 |
| 235 | Support for sliding rail, right | 761230278 | 3310 | |
| 235 | Support for sliding rail, left | 761230281 | 3310 | |