

Spare part list:

ExGuard ER600W

*Item number: 765042172 Rev. 005
Release date: 13-02-2025
Processed by: John Lund
Approved by: John B. S. Petersen*

Gram Scientific ApS
Aage Grams Vej 1
6500 Vojens, Danmark
Tel: +45 73 20 13 00
Fax: +45 73 20 12 01
www.gram-bioline.com



Biostorage you can depend on

Content

Content..... 2

Introduction and important note 3

 Introduction to ExGuard 3

 Important note concerning understanding spare list 3

Overall drawing of ExGuard..... 4

 Sensors and sensor positioning 4

 Front and back view of ExGuard cabinet 5

Cooling parts and refrigeration diagram 6

 ER600W 6

Electrical parts 7

 Controllers and electrical terminal box 7

 Front panel 9

Mechanical parts..... 10

 Cabinet 10

 Front panel 12

 Door..... 13

Accessories..... 14

Log book 15

Notes..... 16

Introduction and important note

Introduction to ExGuard

This spare part document is intended for the **ExGuard ER600W** product series.

The **ExGuard** series helps to increase the safety of the working environment and increases protection against health hazards for users in laboratories and other work environments where toxic and hazardous chemicals are used.

With a built-in ventilation suction of the product's storage compartment, any harmful fumes are removed or extracted - and this before access to the product can be created via an electronically locked door.

Like all other BioLine refrigerators, ExGuard has both internal and external ATEX Category 3 Zone 2 approvals, which ensure that the safety of the working environment remains as high and safe as possible.

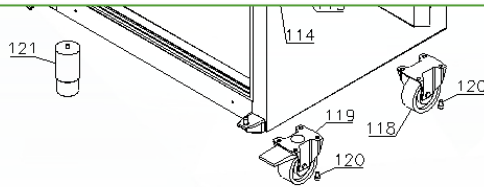
At present, only this 600 litre model is launched, but is offered with glass or with solid door.

The model will also be available in either white or made of stainless steel on the outside, and will have a stainless steel indoor box in both variants.

Important note concerning understanding spare list

Please note that when ordering a spare part, the item number only applies to ordering one single spare part!

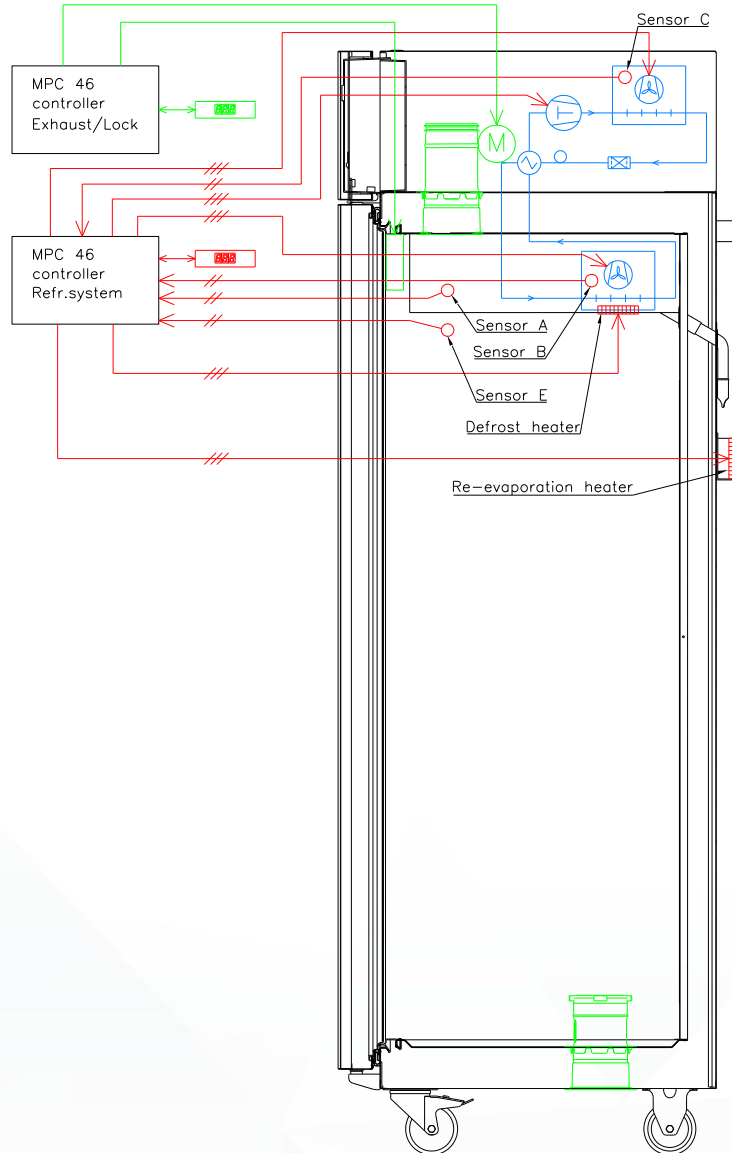
For this reason, there is a column in the tables with name "**Orig. used [pcs]**" that shows the amount of the spare parts that is originally used on the product. Eg. when ordering new legs, the item number only applies to one single piece, but the column informs that 4 pieces have been used. In columns with "**Introduced**" and "**Terminated**", a six-digit number is given, which means product release year and week (YYYY-WW).



Item no.	Description	Orig. used (pcs)	Gram part no.	Introduced	Terminated
118	Straight castor H = 125 mm	2	480270520	2016-37	
119	Swivel castor H = 125 mm w/brake 360°	2	480260050	2016-37	
120	Screw M8x12	16	422715000	2016-37	
121	Leg H = 100-130 mm	4	765080118	2016-37	
121	Leg H = 134-200 mm	4	765080115	2016-37	
121	Leg H = 180-250 mm	4	765080116	2016-37	

Overall drawing of ExGuard

Sectional drawing of ExGuard ER600W cabinet with Electrical, Piping and Exhaust systems represented.



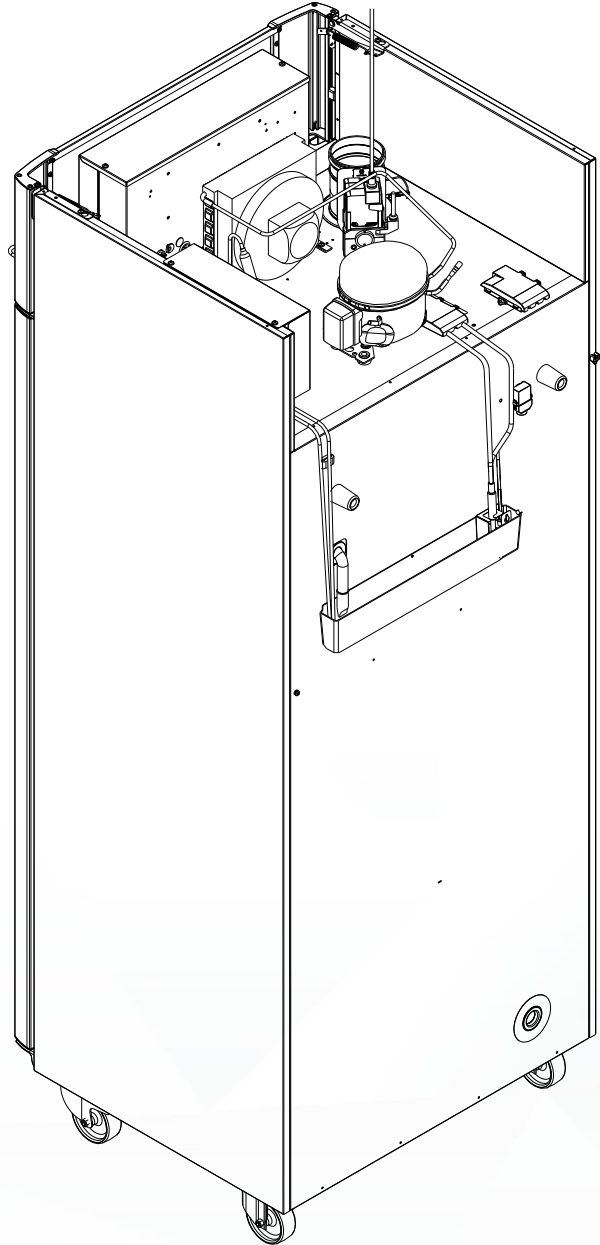
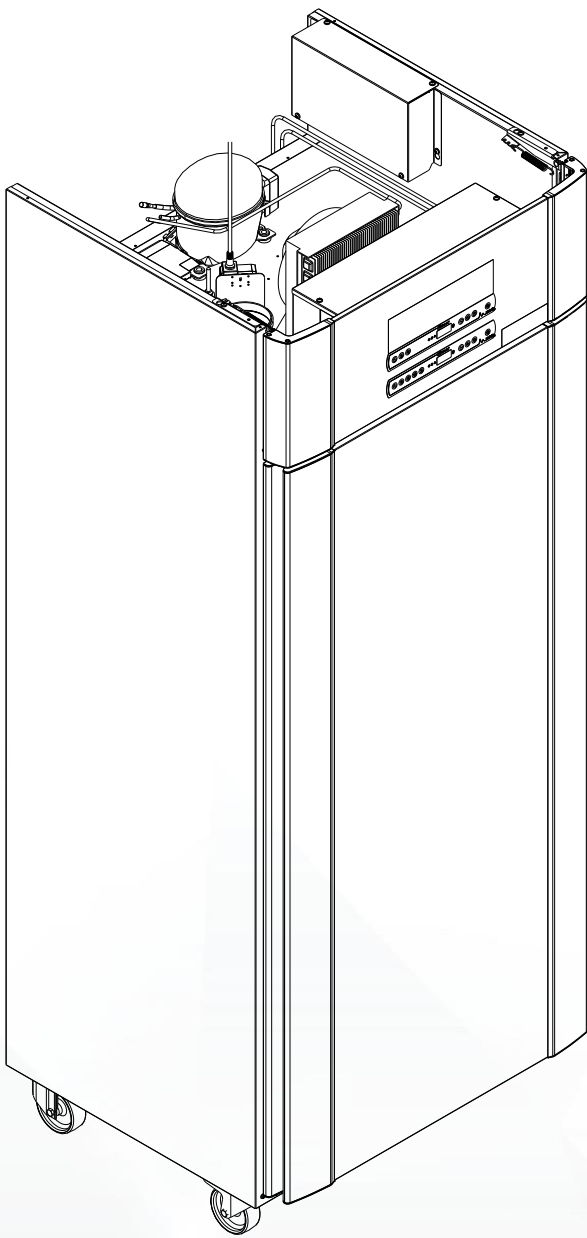
Sensors and sensor positioning

Item no.	Description	Orig. used (pcs)	Gram part no.	Introduced	Terminated
A	Room sensor (1500 mm)	1	453531501	2016-37	
B	Defrost sensor (1500 mm)	1	453531501	2016-37	
C	Condenser sensor (1000 mm)	1	453531500	2016-37	
E	Reference sensor (2500 mm)	1	453531504	2016-37	

Note: For A- and E-sensor, see section for Mechanical parts. For B- and C-sensor see section for Refrigeration parts.

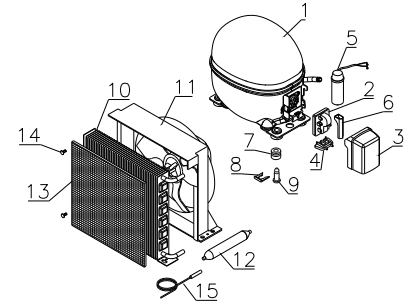
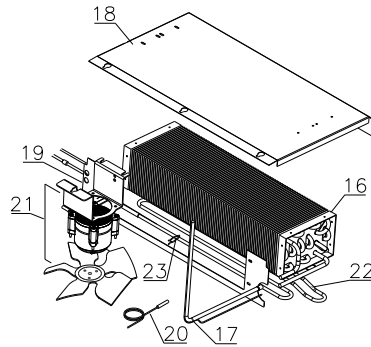
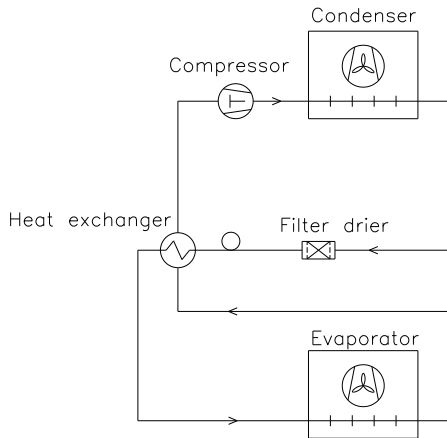
Front and back view of ExGuard cabinet

Front of cabinet (left) seen from left upper corner and down. Back of cabinet (right) seen from right upper corner and down.



Cooling parts and refrigeration diagram

ER600W



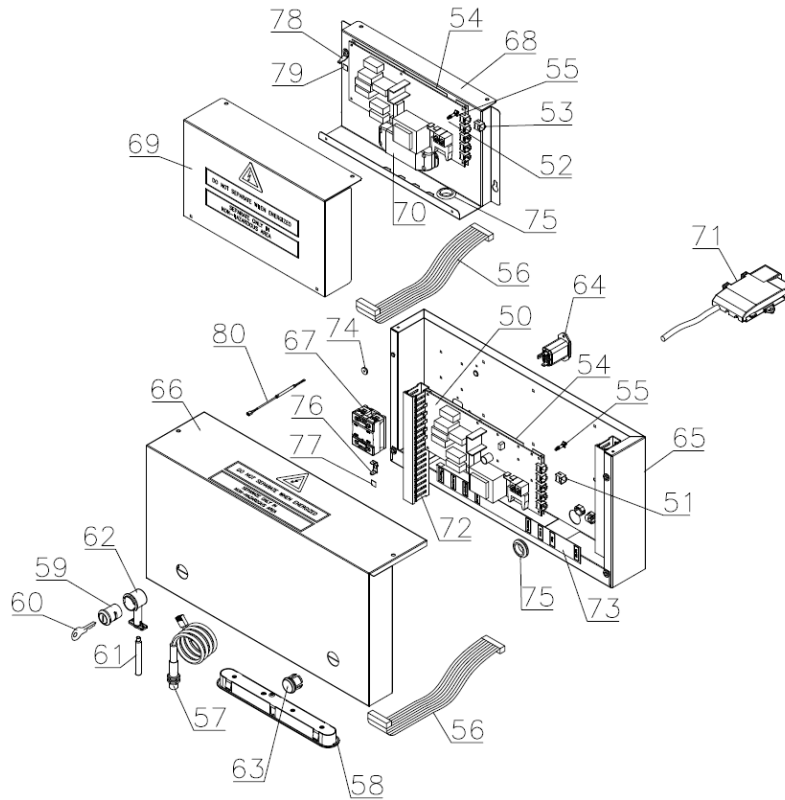
Item no.	Description HC (R290)	Orig. used (pcs)	Gram part no.	Introduced	Terminated
1	Compressor TL5CN	1	502900000	2016-37	
2	Starting device	1	453051002	2016-37	
3	Cover	1	452440293	2016-37	
4	Cord relief	1	452440300	2016-37	
5	Run capacitor 4µF	1	451723517	2016-37	
6	PTC cover	1	452440290	2016-37	

Item no.	Description HFC (R134a)	Orig. used (pcs)	Gram part no.	Introduced	Terminated
1	Compressor FR7,5G	1	500550061	2016-37	
2	Starting device	1	410589015	2016-37	
3	Cover	1	452440293	2016-37	
4	Cord relief	1	452440300	2016-37	
5	Start capacitor 80µF	1	451720018	2016-37	

Item no.	Description	Orig. used (pcs)	Gram part no.	Introduced	Terminated
7	Rubber bush	4	760080519	2016-37	
8	Compressor clip	4	760082367	2016-37	
9	Compressor screw	4	760082711	2016-37	
10	Condenser	1	765080161	2016-37	
11	Condenser fan guard complete incl. fan	1	763254060	2016-37	
12	Filter drier 15 gr. Ø6,1/2,1 mm	1	762900157	2016-37	
13	Air filter	1	761114415	2016-37	
14	Attachment plug	4	765081250	2016-37	
15	Condenser sensor (C-sensor, 1000 mm)	1	453531500	2016-37	
16	Evaporator	1	765080185	2016-37	
17	Heat exchanger	1	762900060	2016-37	
18	Evaporator suspension	1	763251222	2016-37	
19	Evaporator cover	1	763251223	2016-37	
20	Defrost sensor (B-sensor, 1500 mm)	1	453531501	2016-37	
21	Evaporator fan incl. bracket and wing	1	761250780	2016-37	
22	Defrost heater	1	765071819	2016-37	
23	Clip for defrost heater	5	761254427	2016-37	

Electrical parts

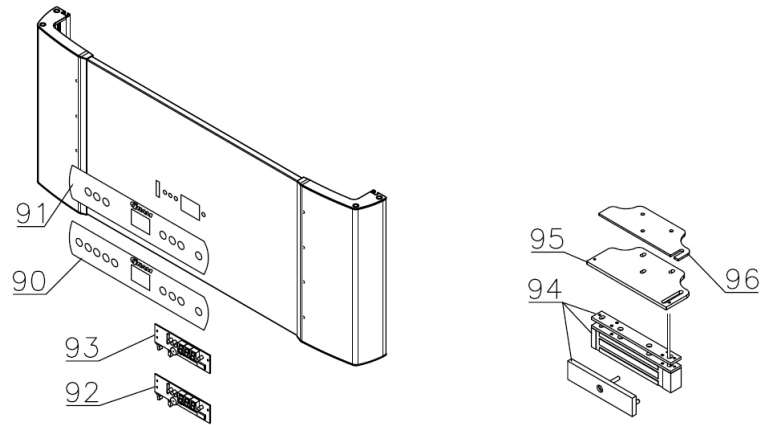
Controllers and electrical terminal box



Item no.	Description	Orig. used (pcs)	Gram part no.	Introduced	Terminated
50	Electronic controller M5+	1	761256135	2016-37	
51	AMP Duo plug 2.5 frame	4	452260601	2016-37	
52	Electronic controller C1	1	761256166	2016-37	
53	AMP Duo plug 2.5 frame	4	452260601	2016-37	
54	PCB protection sheet	2	765040777	2016-37	
55	PCB spacer	12	451119520	2016-37	
56	Ribbon cable (L=1200)	2	453582046	2016-37	
57	Door switch	1	450400113	2016-37	
58	LED light bar	1	450742025	2016-37	
59	Lock comb. A151 complete w/2 keys	1	765080322	2016-37	
60	Key A151	1	765080399	2016-37	
61	Lock pin	1	765080088	2016-37	
62	Lock housing	1	765080047	2016-37	
63	Plug for lock housing	1	763252152	2016-37	

Item no.	Description	Orig. used (pcs)	Gram part no.	Introduced	Terminated
64	Appliance inlet incl. EMC/EMI filter	1	451022003	2016-37	
65	Main electrical terminal box	1	763232110	2016-37	
66	Cover main terminal box	1	761234095	2016-37	
67	Sold State Relay	1	450200300	2016-37	
68	Secondary electrical terminal box for controlling ventilation system	1	761259929	2016-37	
69	Cover for secondary electrical terminal box	1	761234096	2016-37	
70	PSU for electronic door lock	1	765072844	2016-37	
71	Junction box for potential free alarm output	1	763232189	2016-37	
72	Cable duct	2	761233600	2016-37	
73	Label for electrical connections	1	765042421	2016-37	
74	Plastic suspension bush	4	761254355	2016-37	
75	Rubber bush	2	470360007	2016-37	
76	Ground terminal, double connection	1	452250501	2016-37	
77	Label w/ground symbol - with circle	1	452250500	2016-37	
78	Ground terminal, single connection	1	454050400	2016-37	
79	Label w/ground symbol - no circle	1	454050401	2016-37	
80	Cable to SSR incl. Resistance	1	765071445	2023-10	

Front panel

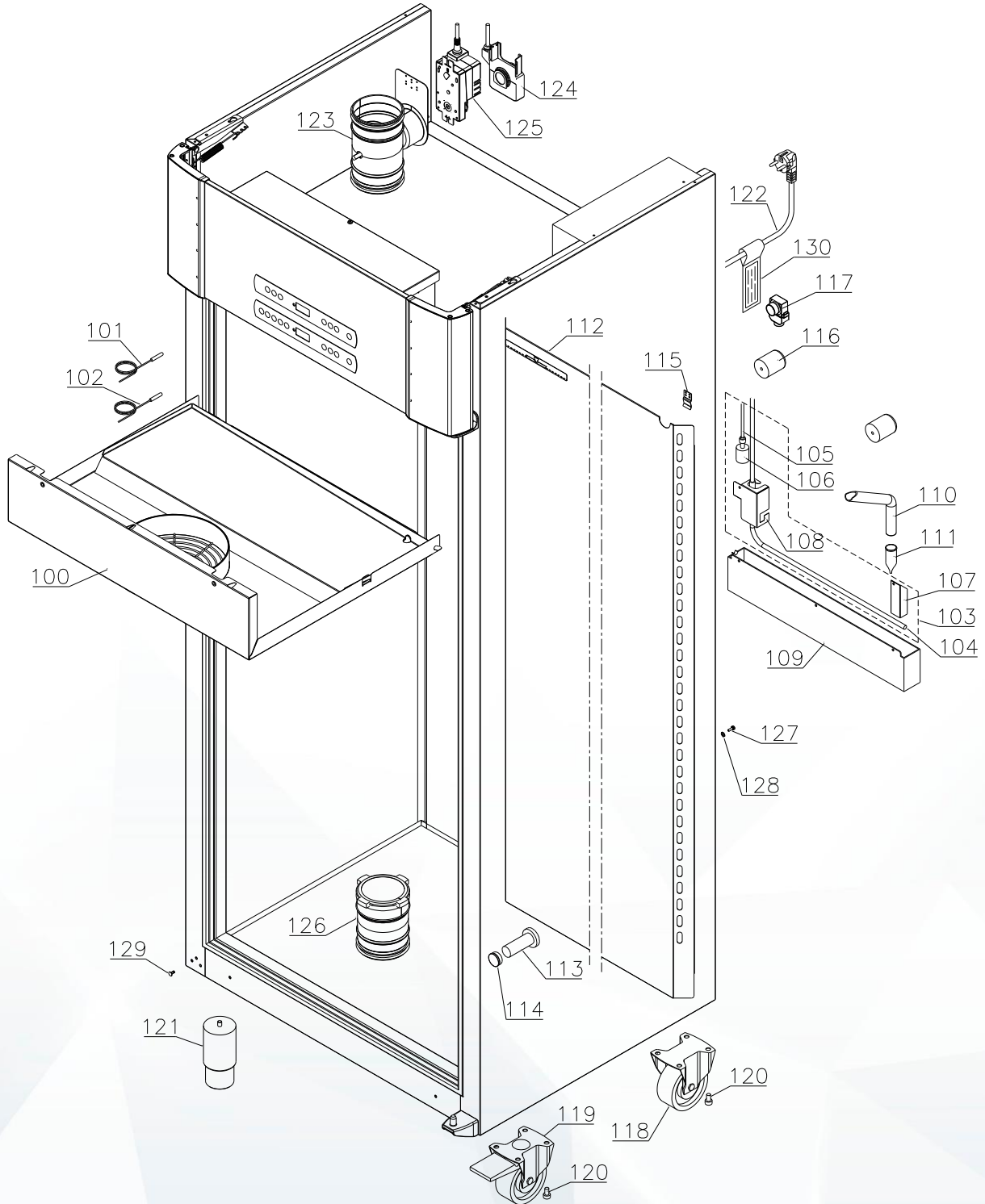


Item no.	Description	Orig. used (pcs)	Gram part no.	Introduced	Terminated
90	Keypad - 9 buttons	1	765041752	2016-37	
91	Keypad - 7 buttons	1	765041754	2016-37	
92	Display PCB	1	612900056	2016-37	
93	Display PCB – ExGuard	1	612900054	2016-37	
94	Magnetic door lock incl. anchor plate, bracket and wire	1	761236081	2016-37	
95	Mounting bracket, solid door	1	761236077	2016-37	
95	Mounting bracket, glass door	1	761236079	2016-37	
96	Bracket spacer	1	761236078	2016-37	

Control panel complete – see position 150

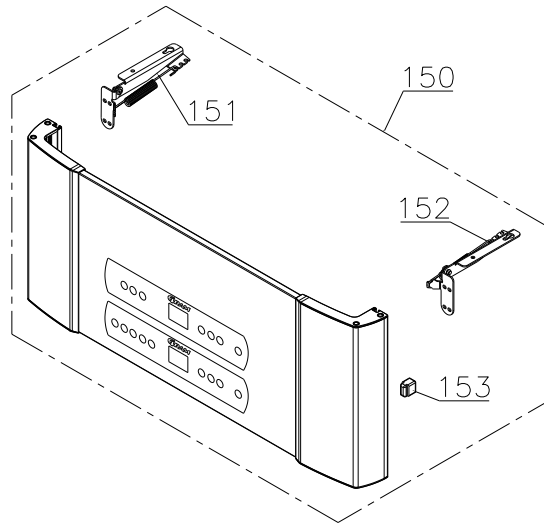
Mechanical parts

Cabinet



Item no.	Description	Orig. used (pcs)	Gram part no.	Introduced	Terminated
100	Drip water tray complete	1	763236402	2016-37	
101	Room sensor (A-sensor, 1500 mm)	1	453531501	2016-37	
102	Reference sensor (E-sensor, 2500 mm)	1	453531504	2016-37	
103	Re-evaporation kit (complete set)	1	763254026	2016-37	
104	Re-evaporation heater	1	765072862	2016-37	
105	Float switch	1	765072049	2016-37	
106	Plastic cap	1	450450080	2016-37	
107	Heater bracket	1	763250021	2016-37	
108	Heater/float switch bracket	1	763250020	2016-37	
109	Re-evaporation tray	1	765081149	2016-37	
110	Drain pipe	1	765081253	2016-37	
111	Water trap	1	760082891	2016-37	
112	Air distribution plate	1	761234137	2016-37	
113	Insulation plug for access port	1	765080563	2016-37	
114	Plastic cap	1	501020023	2016-37	
115	Bracket	2	760250762	2016-37	
116	Distance bush	2	762251184	2016-37	
117	Air relief valve	1	765081206	2016-37	
118	Fixed castor Ø100/H=128 mm	2	480270520	2016-37	
119	Swivel castor w/brake Ø100/H=128 mm	2	480260050	2016-37	
120	Screw M8x12	8 (4x2)	422715000	2016-37	
121	Leg H = 100-130 mm	4	765080118	2016-37	
121	Leg H = 134-200 mm	4	765080115	2016-37	
121	Leg H = 180-250 mm	4	765080116	2016-37	
122	Power cord DK (1,0 mm ² / 3000 mm)	1	765072568	2016-37	
122	Power cord UK (1,0 mm ² / 3000 mm)	1	765072567	2016-37	
122	Power cord EU (1,0 mm ² / 3000 mm)	1	765072566	2016-37	
123	Damper incl. ground terminals	1	763234010	2016-37	
124	Potentiometer	1	765072842	2016-37	
125	Damper motor	1	765072870	2016-37	
126	Inlet tubing	1	765080543	2016-37	
127	M5 screw for equipotential bonding	1	422733001	2020-07	
128	Washer for equipotential bonding	1	421748009	2020-07	
129	Plastic plug, white	9	765080504	2016-37	
129	Plastic plug, grey	9	765080501	2016-37	
130	Hangtag for Power cord	1	765040288	2016-37	

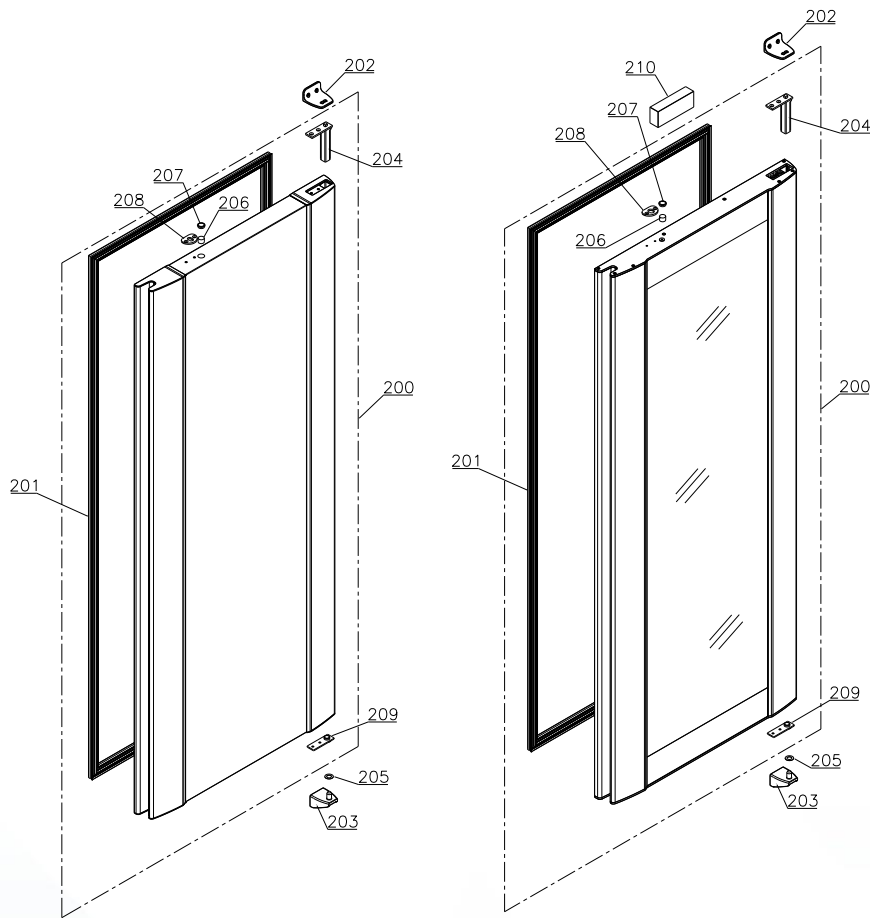
Front panel



Item no.	Description	Orig. used (pcs)	Gram part no.	Introduced	Terminated
150	Front panel complete, stainless	1	763234006	2016-37	
150	Front panel complete, white	1	763234011	2016-37	
151	Hinge complete, left	1	763252060	2016-37	
152	Hinge complete, right	1	763252066	2016-37	
153	Panel spacer	2	763252058	2016-37	

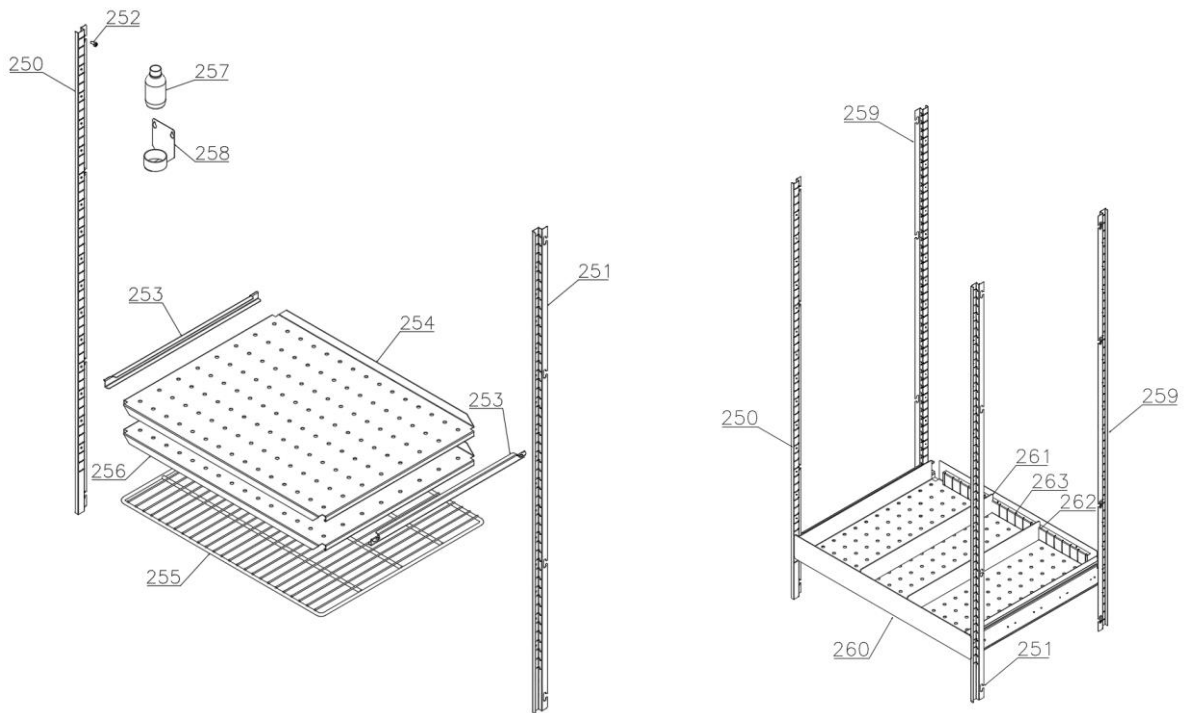
Door

Solid door left and Glass door right



Item no.	Description	Orig. used (pcs)	Gram part no.	Introduced	Terminated
200	Solid Door complete, stainless	1	763234008	2016-37	
200	Solid Door complete, white	1	763234007	2016-37	
200	Glass door, right	1	763234012	2016-37	
200	Glass door, left	1	763234013	2016-37	
201	Gasket	1	763251717	2016-37	
202	Top hinge, solid door and glass door	1	763251747	2016-37	
202	Top hinge, glass door	1	763251782	2016-37	2019-26
203	Bottom hinge, solid door and glass door	1	763251746	2016-37	
203	Bottom hinge, glass door	1	763251765	2016-37	2019-26
204	Self closing device	1	763251880	2016-37	
205	Washer	1	760250527	2016-37	
206	Magnet for door switch – Solid door	1	450401002	2016-37	
206	Magnet for door switch – Glass door	1	450401003	2016-37	
207	Plastic plug	1	765081220	2016-37	
208	Lock bracket – Solid door	1	763251090	2016-37	
208	Lock bracket – Glass door	1	763251093	2022-21	
209	Hinge bearing complete	1	763251755	2016-37	
210	Bracket for anchor plate incl. adhesive tape, glass door	1	763234021	2016-37	

Accessories



Item no.	Description	Orig. used (pcs)	Gram part no.	Introduced	Terminated
250	Wall rail left/front – right back	2	763251925	2016-37	
251	Wall rail right/front – left back	2	763251926	2016-37	
252	Screw for wall rail	16	420178002	2016-37	
253	Shelf Anti- tilt support set of 2	-	818885004	2016-37	
254	Perforated shelf	-	761230058	2016-37	
255	Stainless wire shelf	-	818799967	2016-37	
256	Perforated shelf, bottom	1	763230090	2016-37	
257	Liquid container	1	765080384	2016-37	
258	Bracket for liquid container	1	761256497	2016-37	
259	Wall rail Right/left back	2	763251903	2016-37	
260	BioBlood drawer, complete 40 kg	1	763233618	2016-37	
260	BioBlood drawer, complete 40 kg w/divider	1	763233617	2016-37	
261	Divider, stainless	2	761230312	2016-37	
262	Holder for divider, stainless	2	761230311	2016-37	
263	Divider set complete	1	761231449	2016-37	

Log book

Continuous changes are introduced in the log book.

Version 005:

- **13. February 2025:** Pos. 210, 761236080 replaced with 733234021 Bracket for anchor plate incl. adhesive tape, glass door

Version 004:

- **21. November 2024:**
 - o Pos. 202 763251782 Top hinge, glass door terminated.
 - o Pos. 203 763251765 Bottom hinge, glass door terminated.
 - o Pos. 206 450401003 Magnet for door switch – Glass door added.
 - o Pos. 208 763251093 Lock bracket – Glass door added.

Version 003:

- **11. June 2024:** Pos. 259,260,261,262,263 Wall rail, Drawer 40 kg added.

Version 002:

- **6. Marts 2023:** Pos. 80 765041445 Cable to SSR incl. Resistance added.

Version 001:

- **21. December 2022:** First release of this Spare Part document.

 Gram Scientific ApS		765042172.docx			Page (of): 15 of (16)
Status: Released ver.	Processed by: John Lund	Approved by: John B. S. Petersen	Approval date: 13-02-2025	Document no.: 76-504-2172	Rev.: 005

Notes
