

*Spare parts*  
*BioPlus / BioBlood*  
*ER/BR 930*

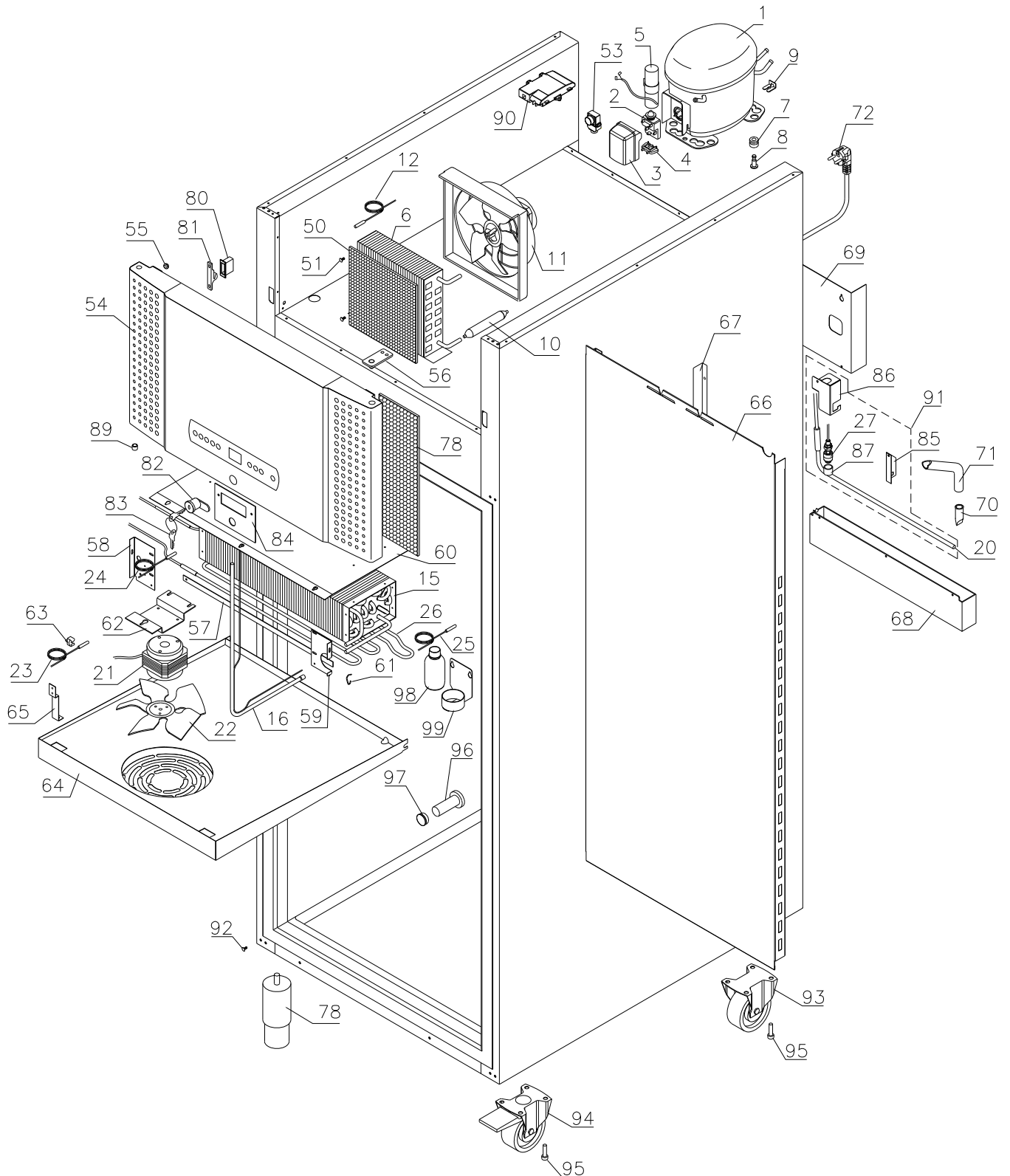


Description :

**Spare parts list for BioPlus / BioBlood  
ER/BR 930**

Compiled.		Latest revision.			Deleted.	
Date	Name	Date	Name	Rev.no	Date	Name
31.10.12	JP	30.09.19	JP	010		

**Exploded view – ER/BR 930**



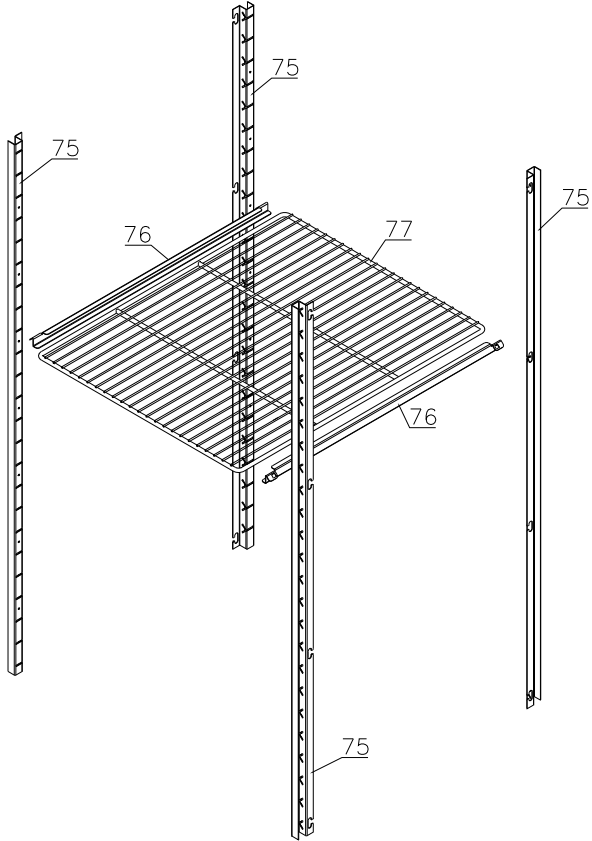
Description :

**Spare parts list for BioPlus / BioBlood  
ER/BR 930**

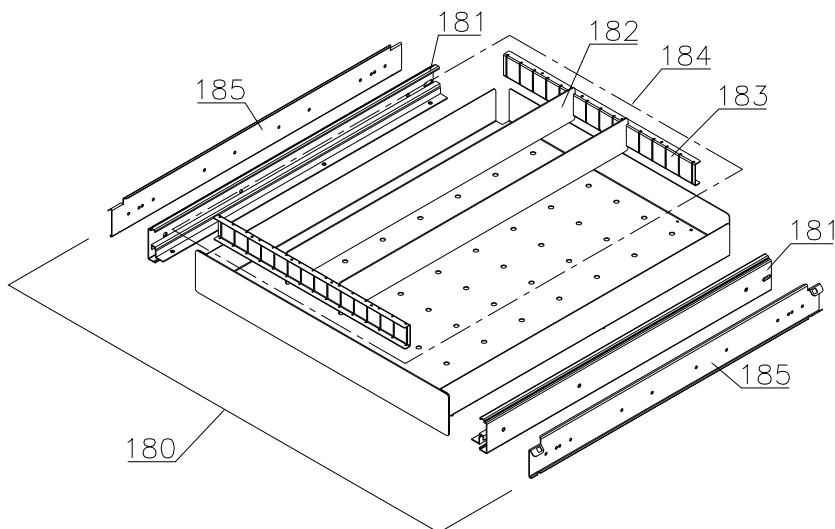
Compiled.		Latest revision.			Deleted.	
Date	Name	Date	Name	Rev.no	Date	Name
31.10.12	JP	30.09.19	JP	010		

**Interior equipment**

Wire shelves:



Stainless drawers:

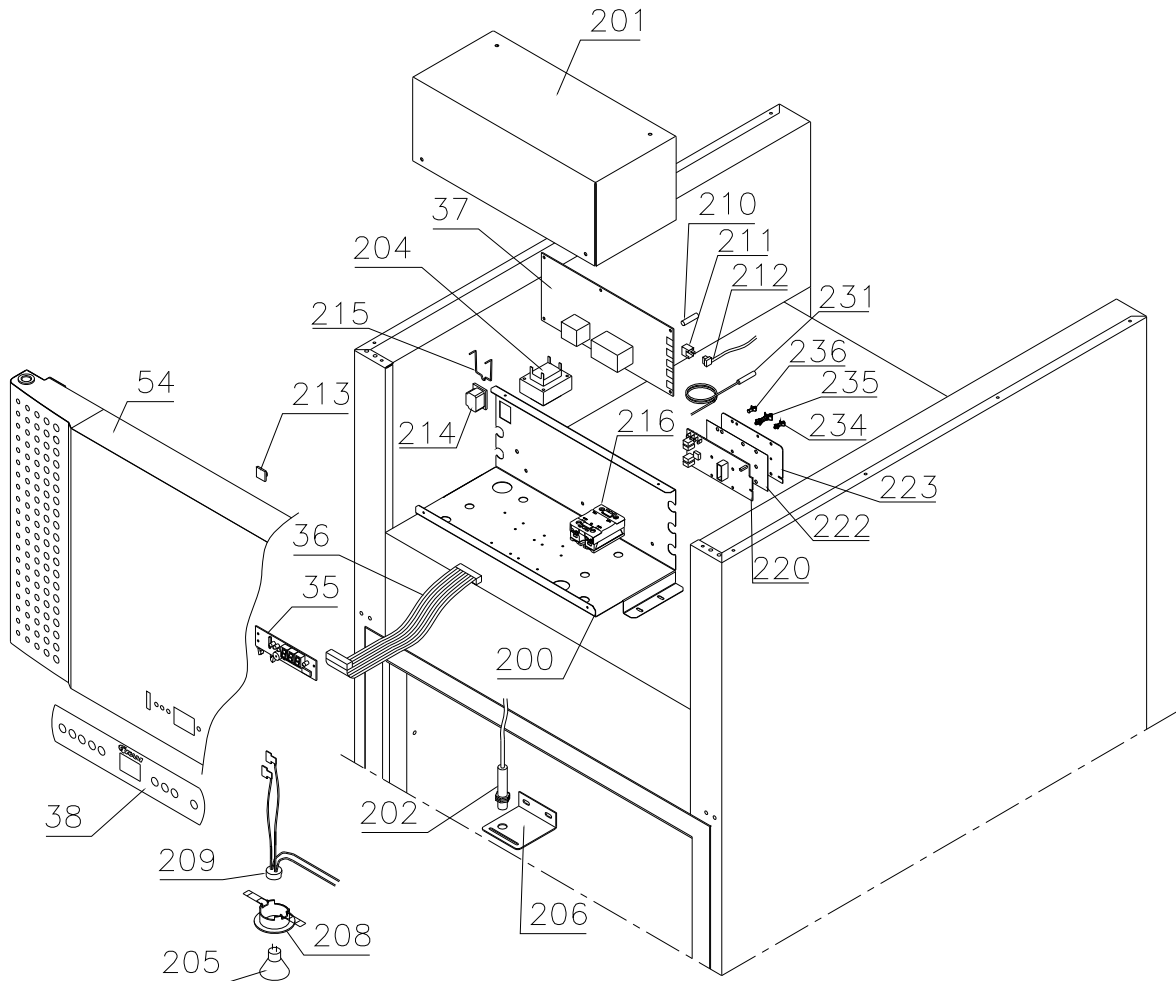


Description :

**Spare parts list for BioPlus / BioBlood  
 ER/BR 930**

Compiled.		Latest revision.			Deleted.	
Date	Name	Date	Name	Rev.no	Date	Name
31.10.12	JP	30.09.19	JP	010		

**Control panel/electric parts**



Description :

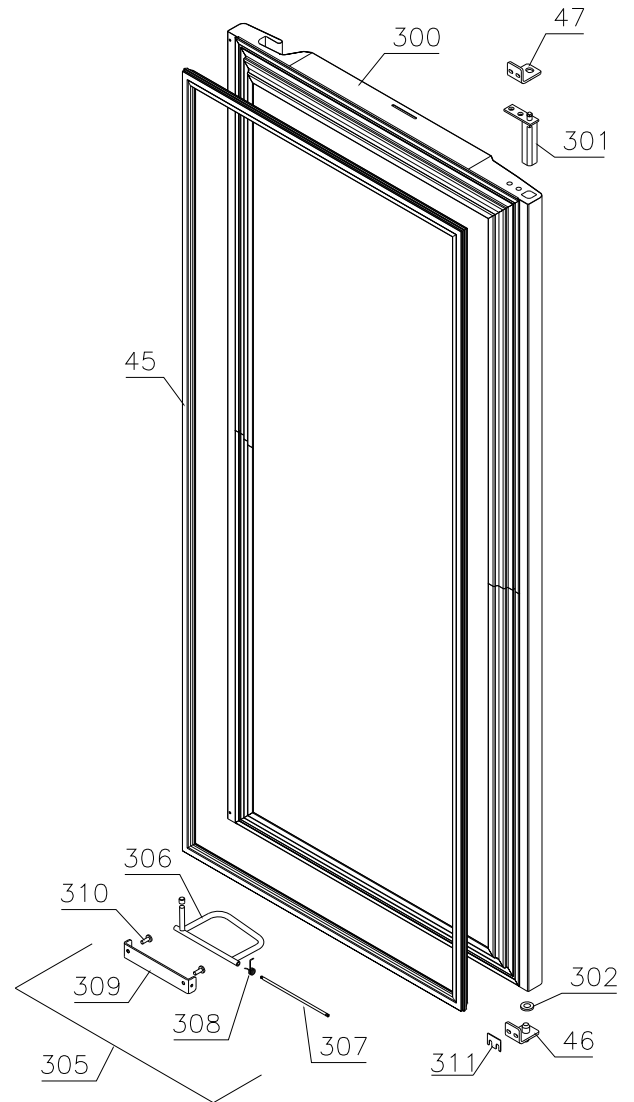
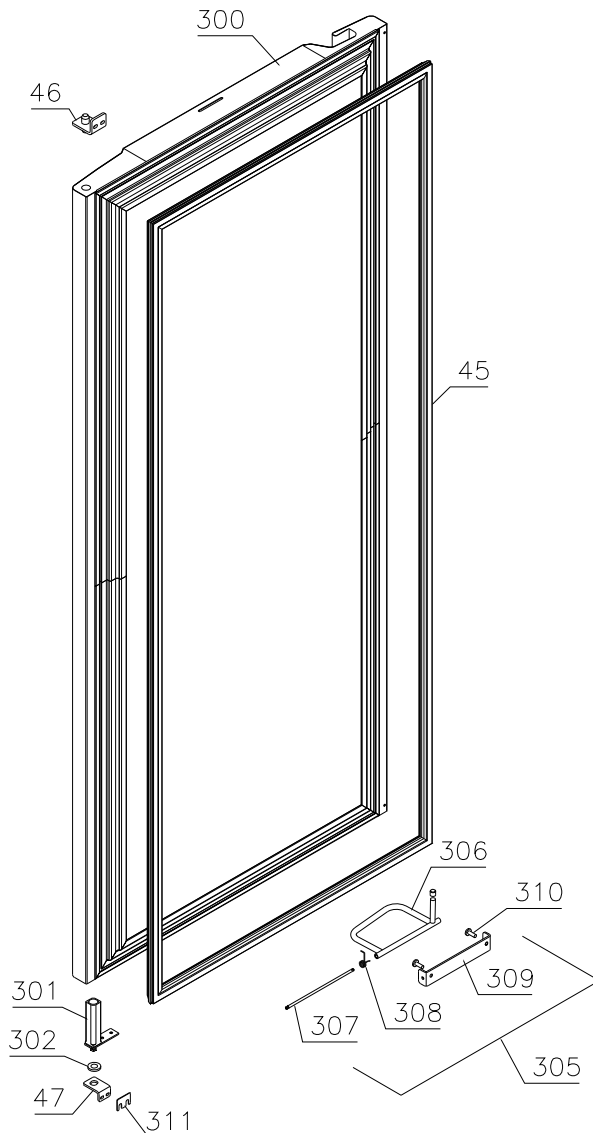
**Spare parts list for BioPlus / BioBlood  
ER/BR 930**

Compiled.		Latest revision.			Deleted.	
Date	Name	Date	Name	Rev.no	Date	Name
31.10.12	JP	30.09.19	JP	010		

**Door**

Righthand:

Lefthand:

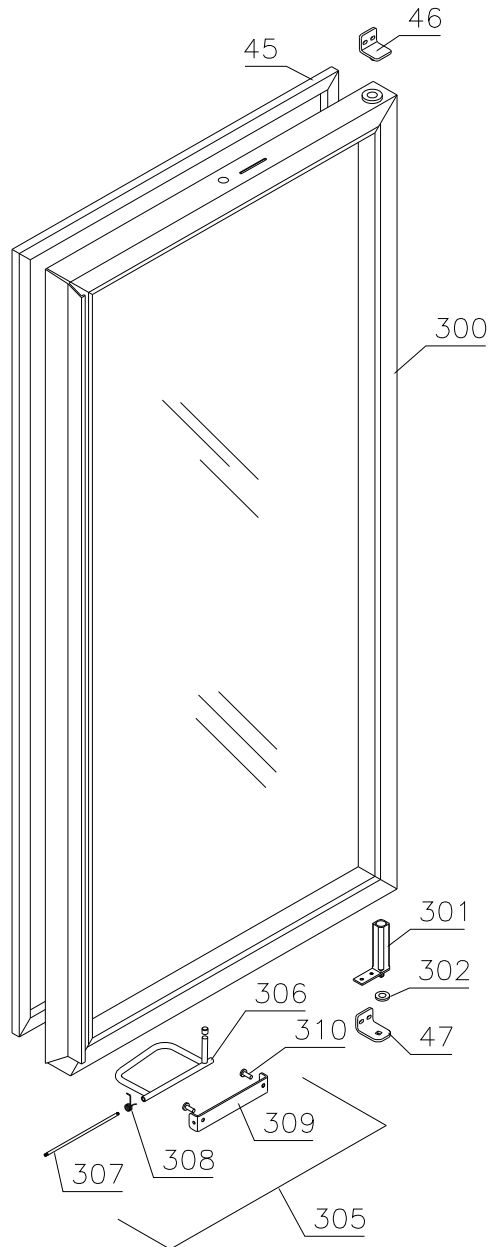


Description :

**Spare parts list for BioPlus / BioBlood  
ER/BR 930**

Compiled.		Latest revision.			Deleted.	
Date	Name	Date	Name	Rev.no	Date	Name
31.10.12	JP	30.09.19	JP	010		

Glass door:



Description :

**Spare parts list for BioPlus / BioBlood  
ER/BR 930**

Compiled.		Latest revision.			Deleted.	
Date	Name	Date	Name	Rev.no	Date	Name
31.10.12	JP	30.09.19	JP	010		

Item No.	Description	Gram part No.	week/year Issued	week/year Deleted
----------	-------------	---------------	---------------------	----------------------

**Essential spare parts**

ER/BR 930 H

1	Compressor FR 11 G	500550064	0114	
2	Start relay	410589029	0114	
3	Cover	452440293	0114	
4	Cord relief	452440300	0114	
5	Start capacitor	451720018	0114	
6	Condenser	765080163	0114	
7	Rubber foot	760080519	0114	
8	Compressor screw	760082711	0114	
9	Compressor clip	760082367	0114	
10	Filter drier	765080158	0114	
11	Condenser fan guard compl.	765080188	0114	
12	Condenser sensor	453531500	0114	
15	Evaporator complete	761250705	0114	
15	Evaporator	765080173	0114	
16	Heat exchanger	761254960	0114	

ER/BR 930 G

1	Compressor NL 7 CN	502900016	0114	
2	Start relay	410589044	0114	
3	Cover	452440293	0114	
4	Cord relief	452440300	0114	
5	Start capacitor	451720018	0114	
6	Condenser	765080164	0114	
7	Rubber foot	760080519	0114	
8	Compressor screw	760082711	0114	
9	Compressor clip	760082367	0114	
10	Filter drier	765080158	0114	
11	Condenser fan guard compl.	765080190	0114	
12	Condenser sensor	453531500	0114	
15	Evaporator	765080173	0114	
16	Heat exchanger	762900195	0114	

Description :

**Spare parts list for BioPlus / BioBlood  
ER/BR 930**

Compiled.		Latest revision.			Deleted.	
Date	Name	Date	Name	Rev.no	Date	Name
31.10.12	JP	30.09.19	JP	010		

Item No.	Description	Gram part No.	week/year Issued	week/year Deleted
----------	-------------	---------------	---------------------	----------------------

Common parts:

20	Re-evaporation heater 60 W	765072862	0114	
21	Evaporator fan motor	765071656	0114	
22	Fan blade, ø200 31°	610620001	0114	
23	Cabinet sensor	453531500	0114	
24	Defrost sensor	453531504	0114	
25	E-sensor	453531504	0114	
26	Defrost heating element	765072061	0114	
27	Float switch	765072049	0114	

Control panel/electrical parts:

35	Electronic control, display part	612900056	0114	
35	Electronic control, display part for LTP	612900057	3919	
36	Band cable L=1250	453582046	0114	
36	Band cable for LTP	765072970	3919	
37	Electr. contr., power part ER M5+	761256135	0114	
37	Electr. contr., power part BR M4+	761256133	0114	
38	Label with keys	765041752	0114	

Door :

45	Door gasket	761259248	0114	
46	Hinge, upper right/bottom left	761258923	0114	
47	Hinge, bottom right/upper left	761258998	0114	



Description :

**Spare parts list for BioPlus / BioBlood  
ER/BR 930**

Compiled.		Latest revision.			Deleted.	
Date	Name	Date	Name	Rev.no	Date	Name
31.10.12	JP	30.09.19	JP	010		

Item No.	Description	Gram part No.	week/year Issued	week/year Deleted
----------	-------------	---------------	---------------------	----------------------

**Other spare parts**

Cabinet

50	Condenser filter	761114415	0114
51	Attachment plug	765081250	0114
53	Air relief valve	765081206	0114
54	Control panel – solid door	white 761231491	0114
54	Control panel – solid door	stainless 761234027	0114
54	Control panel – glass door	white 761234029	0114
54	Control panel – glass door	stainless 761234028	0114
55	Control panel plug	760250272	0114
56	Hinge for front panel	761258467	0114
57	Cover rail for evaporator	760243621	0114
58	Cover plate, left	761254603	0114
59	Cover plate, right	761254602	0114
60	Suspension plate for evaporator	761254465	0114
61	Heating element bracket	761254427	0114
62	Fan holder	761254590	0114
63	Cable clip	452470001	0114
64	Drip water tray	761256019	0114
65	Holder for drip water tray	761253441	0114
66	Air distribution plate	761254591	0114
67	Rail for air distribution plate	760243634	0114
68	Re-evaporation tray	765081149	0114
69	Cover plate for re-evap. tray	761255383	0114
70	Water trap	760082891	0114
71	Drain pipe	765080953	0114
72	Lead and plug, DK	765072568	0114
72	Lead and plug, EU	765072566	0114
72	Lead and plug, UK	765072567	0114
72	Lead and plug, CH	765070163	0114
75	Wall rail, H=27	761256476	0114
76	Support rail	818800006	0114
77	Stainless wire shelf	818809914	0114
78	Leg, stainless H=135-200	765080115	0114
79	Front panel filter	761258491	0114
80	Front panel close latch	761253307	0114
81	Front panel close keeper	761253301	0114

*Gram Commercial*  
*Technical information*

765041570

Description :

**Spare parts list for BioPlus / BioBlood  
ER/BR 930**

Compiled.		Latest revision.			Deleted.	
Date	Name	Date	Name	Rev.no	Date	Name
31.10.12	JP	30.09.19	JP	010		

Item No.	Description	Gram part No.	week/year Issued	week/year Deleted
82	Door lock – solid door	765080092	0114	
82	Door lock – glass door	765080125	0114	
83	Key no. 1 (25010)	765080340	0114	
83	Key no. 2 (25020)	765080341	0114	
83	Key no. 3 (25030)	765080342	0114	
83	Key no. 4 (25040)	765080343	0114	
83	Key no. 5 (25050)	765080344	0114	
85	Bracket for heater	761255445	0114	2714
85	Bracket for heater	763250002	2714	
86	Float switch bracket	761255446	0114	2714
86	Float switch bracket	763250003	2714	
87	Plastic cap	450450080	0114	
88	Bracket for lock	761258747	0114	
89	Bush ø12	761254345	0114	
90	Junction box f. re-evap. heater	765070143	0114	
91	Re-evaporation heater kit complete	761255438	0114	2714
91	Re-evaporation heater kit complete	763254026	2714	
92	Cap for M5 hole	white	765080504	0114
92	Cap for M5 hole	grey	765080501	0114
93	Fixed wheel, H=125	480270520	0114	
94	Castor wheel, with brake	480260050	0114	
95	Screw M8 x 16	422715065	0114	
96	Insulation plug	765080563	0114	
97	Plastic cap	501020023	0114	
98	Liquid container	765080384	0114	
99	Holder for liquid container	761256497	0114	
180	BioBlood drawer complete 40 kg	761231287	0114	
181	Set of sliding rails	761231294	0114	
182	Divider, stainless	761231295	0114	
183	Holder for divider, stainless	761231288	0114	
184	Divider set complete	761231474	0114	
185	Support for sliding rail	right	761231292	0114
185	Support for sliding rail	left	761231293	0114

Description :

**Spare parts list for BioPlus / BioBlood  
ER/BR 930**

Compiled.		Latest revision.			Deleted.	
Date	Name	Date	Name	Rev.no	Date	Name
31.10.12	JP	30.09.19	JP	010		

Item No.	Description	Gram part No.	week/year Issued	week/year Deleted
----------	-------------	---------------	---------------------	----------------------

Control panel/electrical parts:

200	Junction box	761255431	0114	
201	Cover for junction box	761255432	0114	
202	Door switch	450400113	0114	
203	Distance tube L=8.3 mm	765080021	0114	
204	Trafo for lights	760073650	0114	
205	Halogen light 10W	450742002	0114	
206	Bracket for door switch and lock	761259005	0114	
207	Appliance inlet	451022002	0114	
208	Distance bush L=16	451119513	0114	
209	Mounting socket for halogen light	450742001	0114	
210	Wiring for halogen light	765071603	0114	
211	Spacer for PCB	451119515	0114	
212	Sensor plug holder	452260601	0114	
213	Sensor plug	452260600	0114	
214	Cable clip	424350001	0114	
215	Brace for mains cable	761230215	0114	
216	Solid State relay	450200300	4715	
220	LTP controller	453580515	3919	
221	LTP sensor	453531529	3919	
222	PCB protection sheet	765072698	0718	
223	Screening plate	765073271	0718	
224	Dual locking spacer H=7.9 mm	451119525	0718	
225	Dual locking spacer H=15.9 mm	451119526	0718	
226	Push spacer H=7.9 mm	451119527	0718	

*Gram Commercial*  
*Technical information*

765041570

Description :

**Spare parts list for BioPlus / BioBlood  
ER/BR 930**

Compiled.		Latest revision.			Deleted.	
Date	Name	Date	Name	Rev.no	Date	Name
31.10.12	JP	30.09.19	JP	010		

Item No.	Description	Gram part No.	week/year Issued	week/year Deleted
----------	-------------	---------------	---------------------	----------------------

Door :

300	Door complete	white	761251310	0114
300	Door complete	stainless	761251309	0114
300	Glass door		761230944	0114
301	Self-close device		761259909	0114
302	Washer		421708020	0114
305	Foot pedal complete, left		761258167	0114
305	Foot pedal complete, right		761258166	0114
306	Pedal arm, left		761258482	0114
306	Pedal arm, right		761258407	0114
307	Pedal spindle		761258406	0114
308	Spring for pedal, left		760251364	0114
308	Spring for pedal, right		760251363	0114
309	Bracket for pedal		761258404	0114
310	Screw M5x12		420178203	0114
311	Spacer for hinge		761258621	0114