

Spare parts list
BioCompact RR210
BioCompact II RR210

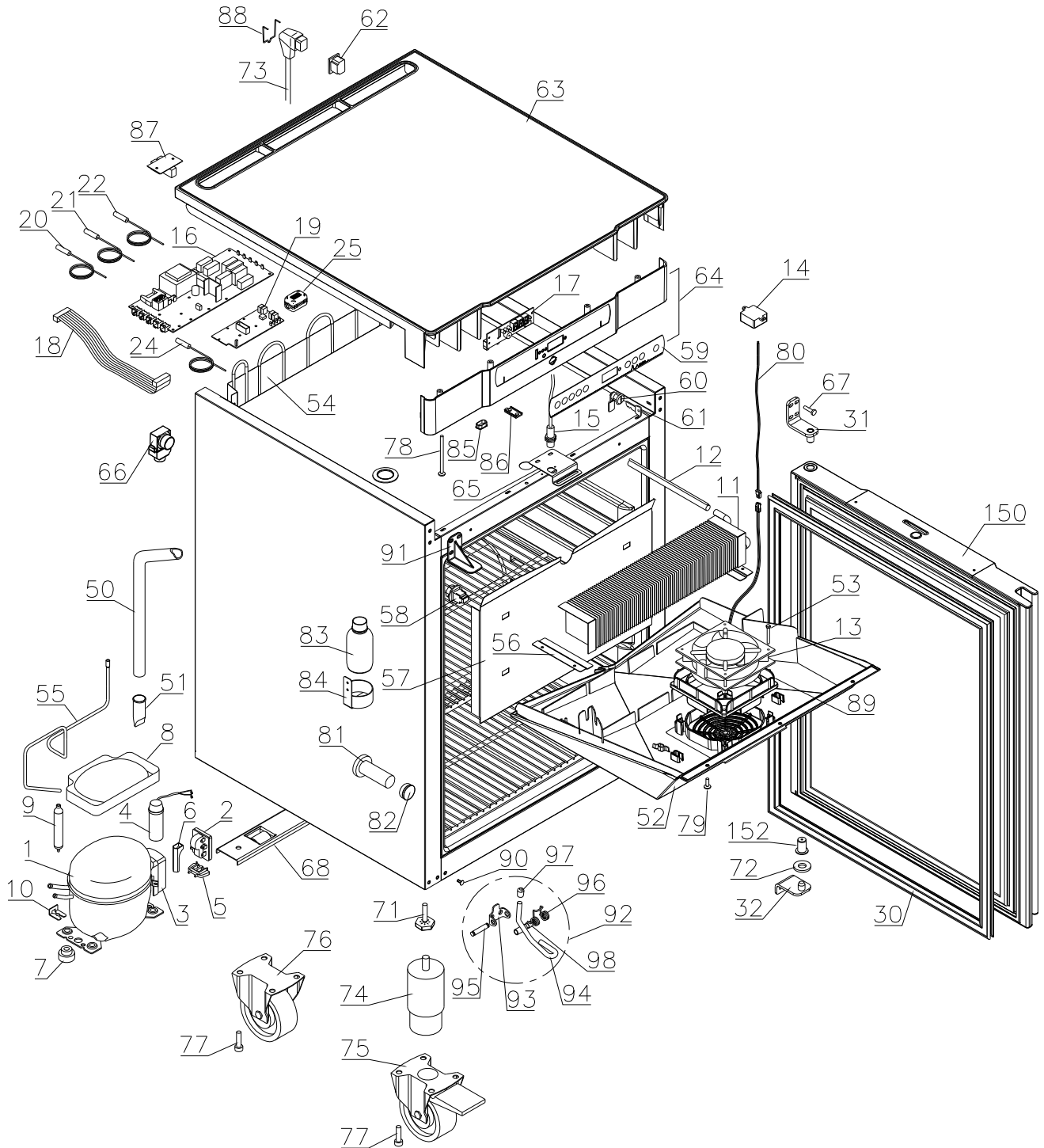


Description :

**Spare parts list for
BioCompact / BioCompact II RR 210**

Compiled.		Latest revision.			Deleted.	
Date	Name	Date	Name	Rev.no	Date	Name
11.02.10	JP	03.02.21	JP	024		

Exploded view BioCompact RR 210

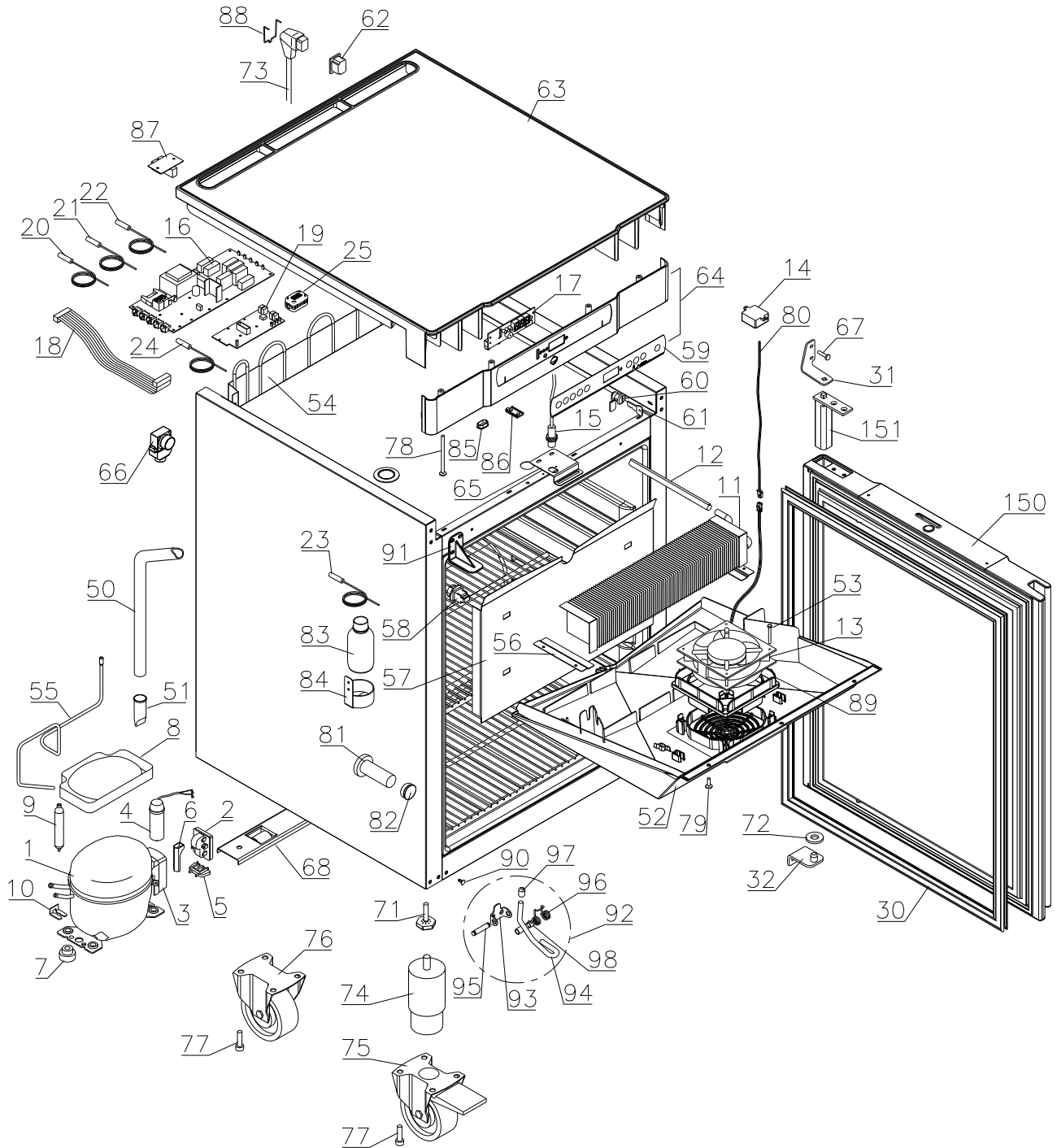


Description :

**Spare parts list for
BioCompact / BioCompact II RR 210**

Compiled.		Latest revision.			Deleted.	
Date	Name	Date	Name	Rev.no	Date	Name
11.02.10	JP	03.02.21	JP	024		

Exploded view BioCompact IIRR 210



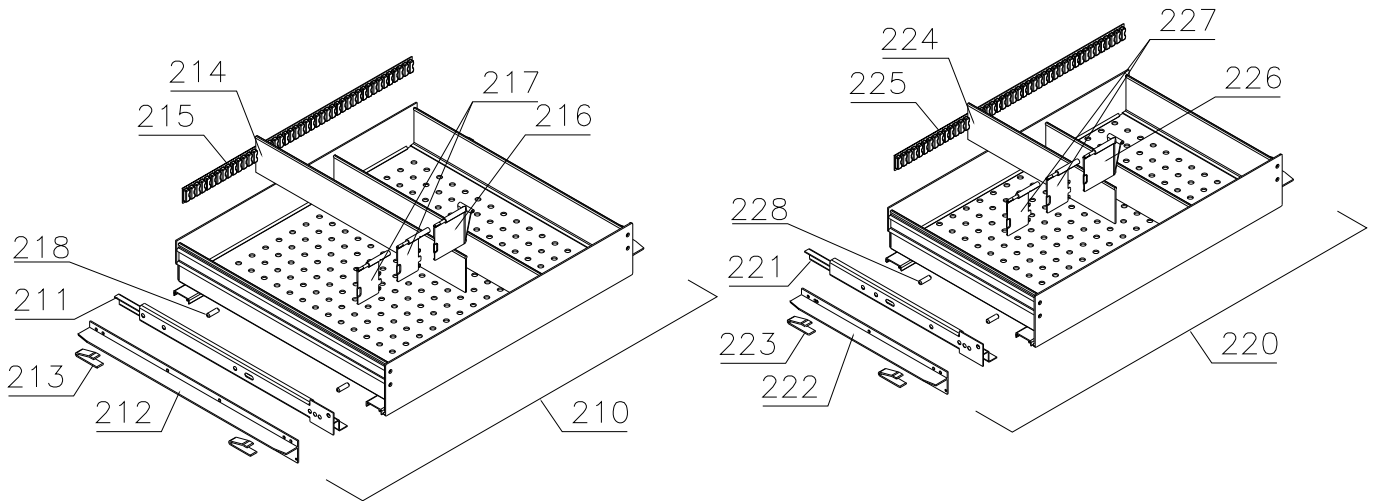
Description :

**Spare parts list for
BioCompact / BioCompact II RR 210**

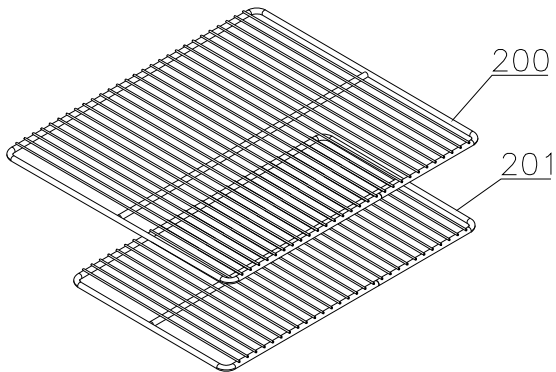
Compiled.		Latest revision.			Deleted.	
Date	Name	Date	Name	Rev.no	Date	Name
11.02.10	JP	03.02.21	JP	024		

Interior equipment

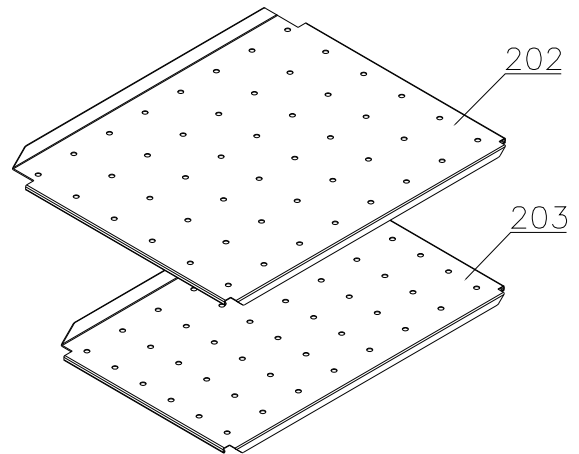
Alu drawers:



Wire shelves:



Perforated shelves:

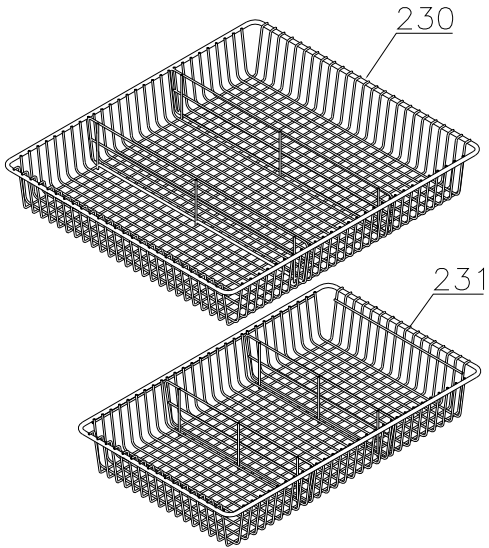


Description :

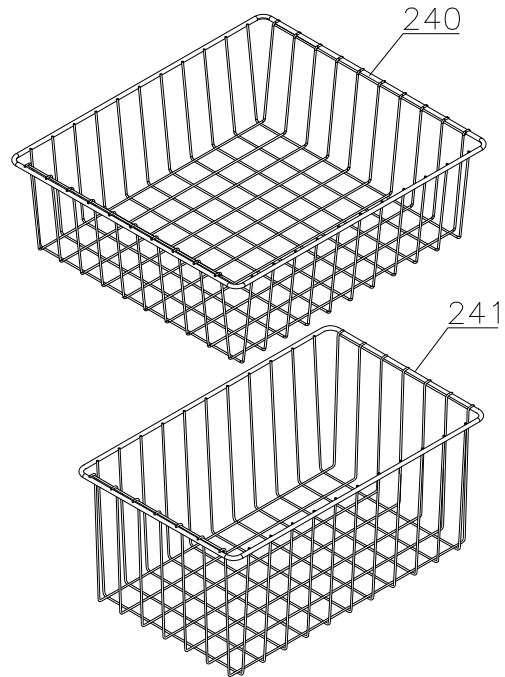
**Spare parts list for
BioCompact / BioCompact II RR 210**

Compiled.		Latest revision.			Deleted.	
Date	Name	Date	Name	Rev.no	Date	Name
11.02.10	JP	03.02.21	JP	024		

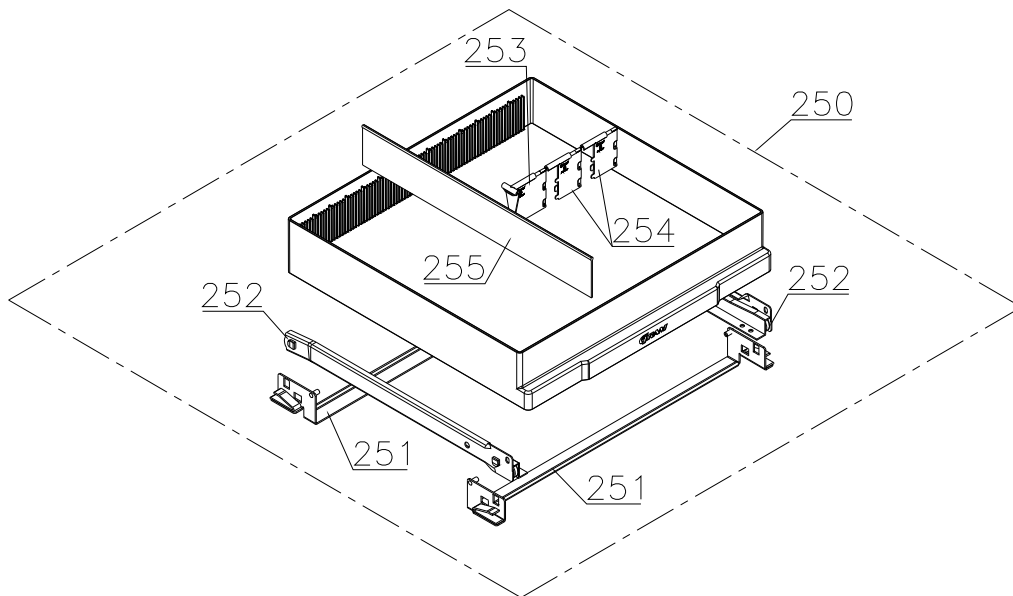
Wire drawers:



Wire baskets:



Plastic drawer:



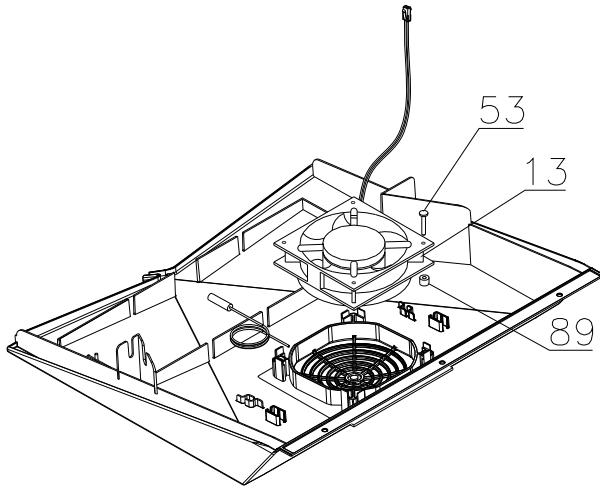
Description :

**Spare parts list for
 BioCompact / BioCompact II RR 210**

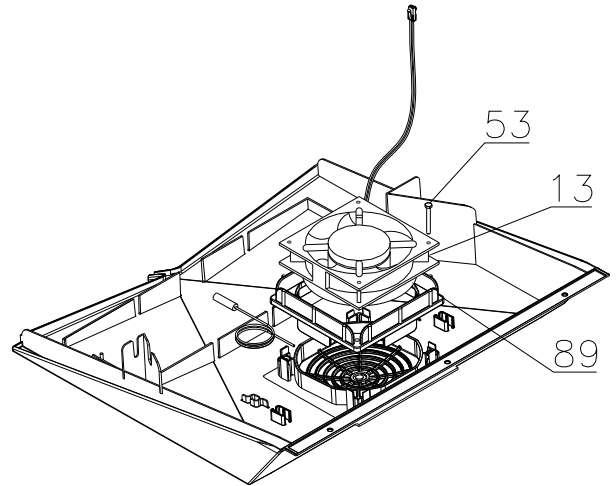
Compiled.		Latest revision.			Deleted.	
Date	Name	Date	Name	Rev.no	Date	Name
11.02.10	JP	03.02.21	JP	024		

Fan suspension

0110 - 0811



0811 -



Description :

**Spare parts list for
BioCompact / BioCompact II RR 210**

Compiled.		Latest revision.			Deleted.	
Date	Name	Date	Name	Rev.no	Date	Name
11.02.10	JP	03.02.21	JP	024		

Item no.	Description	Gram part no.	Week/year:	
			Issued	Deleted

Essential spare parts

RR 210 CG/LG

1	Compressor TLES5KTK	500550090	0510
2	Starting device	453050178	0510
3	Cover	452440293	0510
4	Run capacitor 4 µF	451723513	0510
5	Cord relief	452440300	0510
6	Protection screen PTC	452440290	0510

RR 210 CH/LH 50Hz

1	Compressor TLES3F	500550012	0510
2	Starting device	453050178	0510
3	Cover	452440293	0510
4	Run capacitor 4µF	451723513	0510
5	Cord relief	452440300	0510
6	Protection screen PTC	452440290	0510

RR 210 CH/LH 60Hz

1	Compressor TL3G	500550006	0510
2	Starting device	453050151	0510
3	Cover	452440293	0510
5	Cord relief	452440300	0510
6	Protection screen PTC	452440290	0510

Common parts:

7	Rubber bush	760080519	0510	
8	Re-evaporation tray	410820001	0510	
9	Filter drier	761220102	0510	1810
9	Filter drier	761221321	1810	
10	Compressor clip	760082367	0510	
11	Evaporator	765080411	0510	
12	Heat exchanger	761221410	0510	
13	Evaporator fan 12V DC	765071196	0510	
14	Trafo for fan	765072843	0510	
15	Door switch	450400111	0510	
16	Electr. contr., power part K8+, IIRR	761256157	0510	
16	Electr. contr., power part K4+, RR	761256151	0510	
17	Electronic controller, display part	612900056	0510	
17	Electronic controller, display part LTP	612900057	3719	
18	Band cable	765072661	0510	
18	Band cable for LTP	765072966	3719	
19	LTP controller	453580515	3719	

Description :

**Spare parts list for
BioCompact / BioCompact II RR 210**

Compiled.		Latest revision.			Deleted.	
Date	Name	Date	Name	Rev.no	Date	Name
11.02.10	JP	03.02.21	JP	024		

Item no.	Description	Gram part no.	Week/year: Issued	Deleted
20	Room sensor	453531501	0510	
21	Evaporator sensor	453531501	0510	
22	Condenser sensor	453531504	0510	
23	E-sensor, IIRR	453531504	0510	
24	LTP sensor	453531528	3719	
25	Snap ferrite	765080589	4817	
30	Door gasket	761222727	0510	
31	Top hinge	761222901	0510	
31	Top hinge, self-close, right	761222806	4314	
31	Top hinge, self-close, left	761222808	4314	
32	Bottom hinge	761222904	0510	
32	Bottom hinge, self-close	761222805	4314	

Description :

**Spare parts list for
BioCompact / BioCompact II RR 210**

Compiled.		Latest revision.			Deleted.	
Date	Name	Date	Name	Rev.no	Date	Name
11.02.10	JP	03.02.21	JP	024		

Item no.	Description	Gram part no.	Week/year	
			Issued	Deleted

Other spare parts

50	Drain pipe	761221755	0510	
51	Water trap	760082891	0510	
52	Drip tray, grey	761223099	0510	
52	Drip tray, white	761223098	0510	
53	Screw for fan	420181501	0510	0811
53	Screw for fan	420790001	0811	
54	Condenser	761223010	0510	
55	Re-evaporation pipework	760000323	0510	
56	Evaporator suspension bracket	761223070	0510	
57	Air distribution plate, alu	761230354	0510	
58	Suspension plug, grey	765081214	0510	
59	Label for controller, IIRR	765041752	0510	
59	Label for controller, RR	765041754	0510	
60	Door lock	765080093	0510	
61	Key no. 810	761220166	0510	
62	Appliance inlet	451022002	0510	
63	Tabletop upper part, grey	761222891	0510	
63	Tabletop upper part, white	761222890	0510	
64	Tabletop front, grey IIRR	761230454	0510	
64	Tabletop front, grey RR	761234120	0510	
64	Tabletop front, white IIRR	761230455	0510	
64	Tabletop front, white RR	761234121	0510	
65	Lock bracket	761222761	0510	
66	Air relief valve	765081206	0510	
67	Screw for hinge	420090100	0510	
68	Wheel bracket complete	761223051	0510	
71	Adjustment screw	761223055	0510	
72	Washer	760250524	0510	
73	Mains cable, EU	765072630	0510	
73	Mains cable, UK	765072631	0510	
73	Mains cable, DK	765072632	0510	
74	Leg H=100-130 mm	765080118	0510	
75	Castor w/brake H=125 mm	480260050	0510	
76	Castor	480270520	0510	
77	Screw M8x16	422715065	0510	
78	Screw M4x70	420178125	0510	
79	Screw M4x16	422701019	0510	
80	Fan wire	765072646	0510	
81	Insulation plug	765080563	0510	
82	Plastic cap	501020023	0510	
83	Liquid container	765080384	0510	
84	Bracket f. liquid container	761256451	0510	

Description :

**Spare parts list for
BioCompact / BioCompact II RR 210**

Compiled.		Latest revision.			Deleted.	
Date	Name	Date	Name	Rev.no	Date	Name
11.02.10	JP	03.02.21	JP	024		

Item no.	Description	Gram part no.	Week/year	
			Issued	Deleted
85	Cap for programming cable	765080566	0510	
86	Cover plug, white	765081247	0510	
86	Cover plug, grey	765081248	0510	
87	Modular connector	453570037	0510	
88	Brace for mains cable	761230215	0510	
89	Rubber bush	343812010	1110	0811
89	Rubber gasket	761223110	0811	
90	Cover plug, grey	765080501	0510	
90	Cover plug, white	765080504	0510	
91	Cover bracket	761222757	4410	1111
91	Cover bracket, white	761222758	1111	
91	Cover bracket, grey	761222759	1111	
92	Foot pedal complete	819581052	0911	
93	Bracket for pedal	761224006	0911	
94	Pedal arm	761224002	0911	
95	Spindle	761224007	0911	
96	Spring	761224005	0911	
97	Plastic cap	581400021	0911	
98	Bush	761224008	0911	
150	Door complete, stainless	761232751	0510	
150	Door complete, white	761232756	0510	
150	Door compl., stainless, self-close, right	761232902	4314	
150	Door compl., stainless, self-close, left	761232912	4314	
150	Door compl., white, self-close, right	761232905	4314	
150	Door compl., white, self-close, left	761232915	4314	
151	Self-close device	763251779	4314	
152	Bush	761220936	0510	

Description :

**Spare parts list for
BioCompact / BioCompact II RR 210**

Compiled.		Latest revision.			Deleted.	
Date	Name	Date	Name	Rev.no	Date	Name
11.02.10	JP	03.02.21	JP	024		

Item no.	Description	Gram part no.	Week/year	
			Issued	Deleted
<u>Interior equipment:</u>				
200	Wire shelf large, grey	818721020	0510	
200	Wire shelf large, white	818721001	0510	
200	Wire shelf large, stainless	818721006	0510	
201	Wire shelf small, grey	818721021	0510	
201	Wire shelf small, white	818721019	0510	
201	Wire shelf small, stainless	818721007	0510	
202	Perforated shelf, large	761230416	0510	
203	Perforated shelf, small	761230417	0510	
210	Alu drawer complete, large	761230456	0510	
211	Set of sliding rails	761230317	0510	
212	T-profile	761230442	0510	
213	Plastic clip	761230044	0510	
214	Divider rail	761230435	0510	
215	Holder for divider rail	761230436	0510	
216	Plastic divider 1	761230021	0510	
217	Plastic divider 2	761230022	0510	
218	Centre screw M6x20	420788200	0510	
220	Alu drawer complete, small	761230457	0510	
221	Set of sliding rails	761230347	0510	
222	T-profile	761230447	0510	
223	Plastic clip	761230044	0510	
224	Divider rail	761230448	0510	
225	Holder for divider rail	761230436	0510	
226	Plastic divider 1	761230021	0510	
227	Plastic divider 2	761230022	0510	
228	Centre screw M6x20	420788200	0510	
230	Wire drawer, large	761232966	0510	
231	Wire drawer, small	761232967	0510	
240	Wire basket, large	818721022	0510	
241	Wire basket, small	818721029	0510	
250	Plastic drawer complete	761230972	4312	
251	Bracket for plastic drawer	761230957	4312	
252	Set of sliding rails	761230428	4312	
253	Plastic divider 1	761230021	4312	
254	Plastic divider 2	761230022	4312	
255	Divider rail	761230088	4312	