

Spare parts
BioPlus / BioBlood
ER/BR/RF/BF 1270/1400 CH/LH

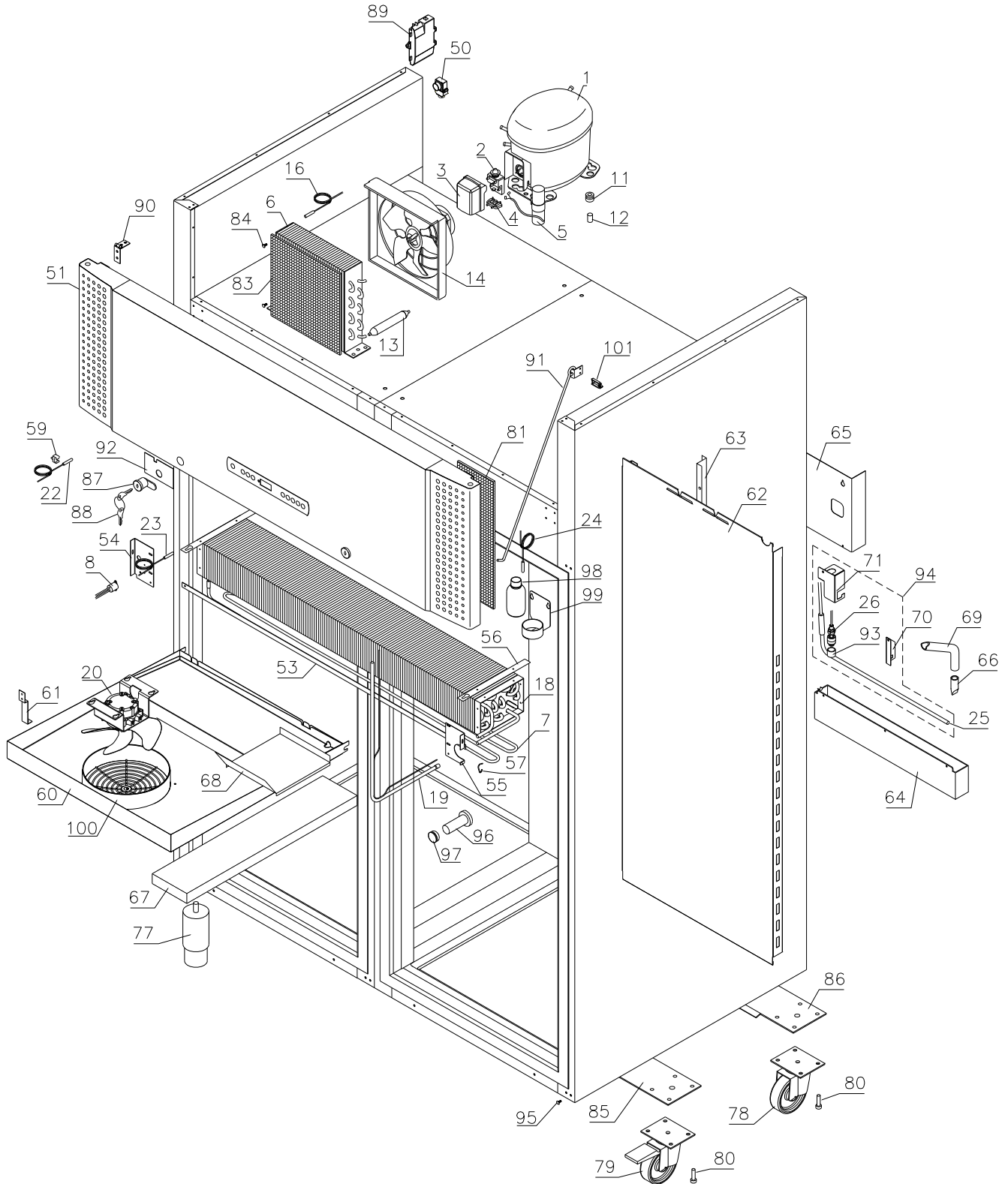


Description :

**Spare parts list for BioPlus / BioBlood
 ER/BR/RF/BF 1270/1400 CH/LH**

Compiled.		Latest revision.			Discontinued	
Date	Name	Date	Name	Rev.no	Date	Name
22.06.07	JP	30.11.20	JP	029		

Exploded view – ER/BR 1270/1400

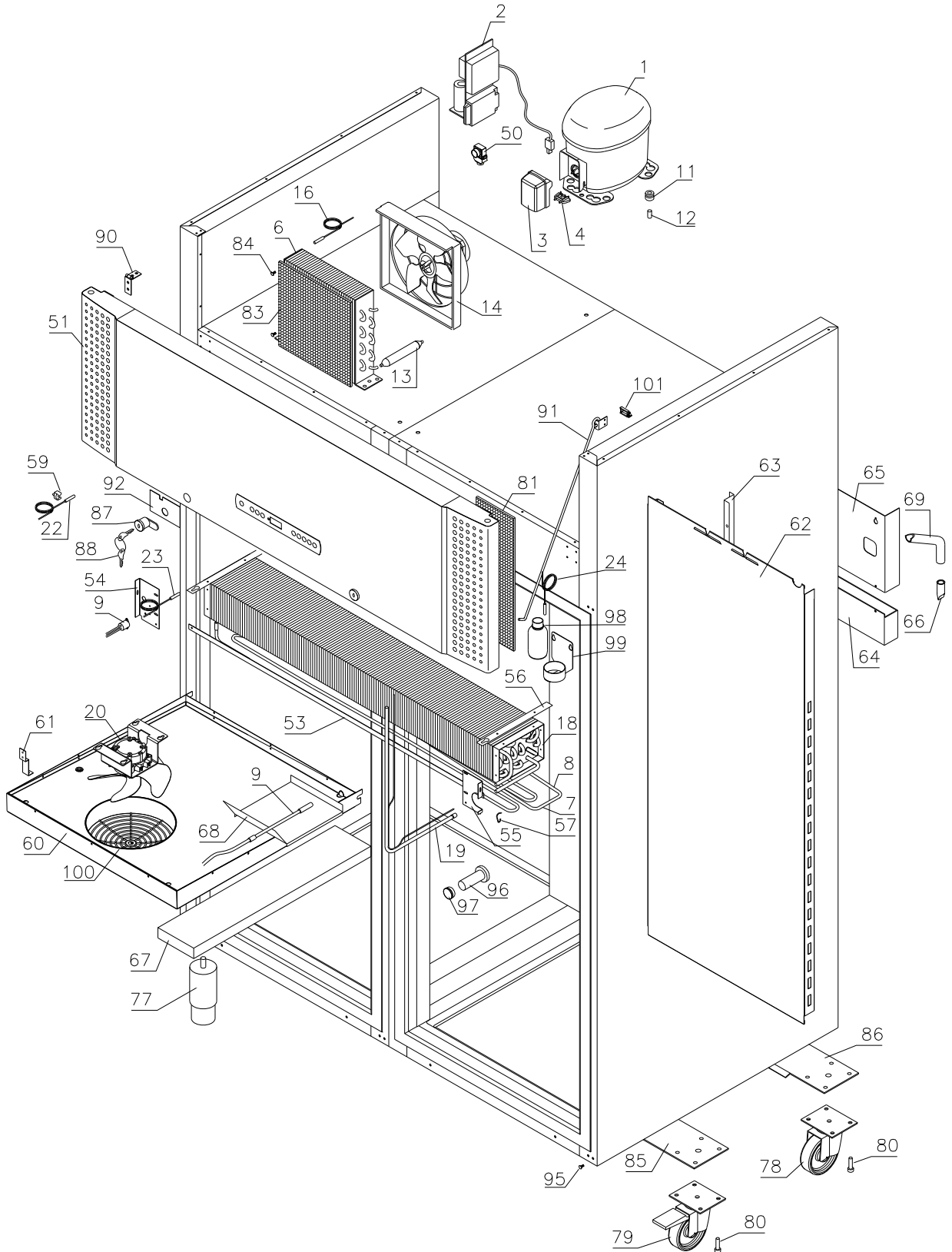


Description :

**Spare parts list for BioPlus / BioBlood
ER/BR/RF/BF 1270/1400 CH/LH**

Compiled.		Latest revision.			Discontinued	
Date	Name	Date	Name	Rev.no	Date	Name
22.06.07	JP	30.11.20	JP	029		

Exploded view – RF/BF 1270/1400



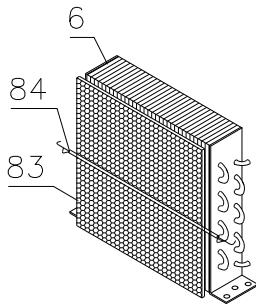
Description :

**Spare parts list for BioPlus / BioBlood
ER/BR/RF/BF 1270/1400 CH/LH**

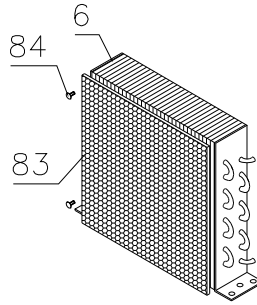
Compiled.		Latest revision.			Discontinued	
Date	Name	Date	Name	Rev.no	Date	Name
22.06.07	JP	30.11.20	JP	029		

Condenser filter

1007 – 2809

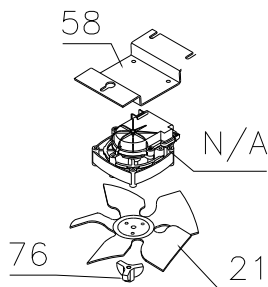


2809 -

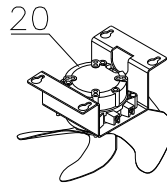


Evaporator fan

1007 – 3620



3620 -



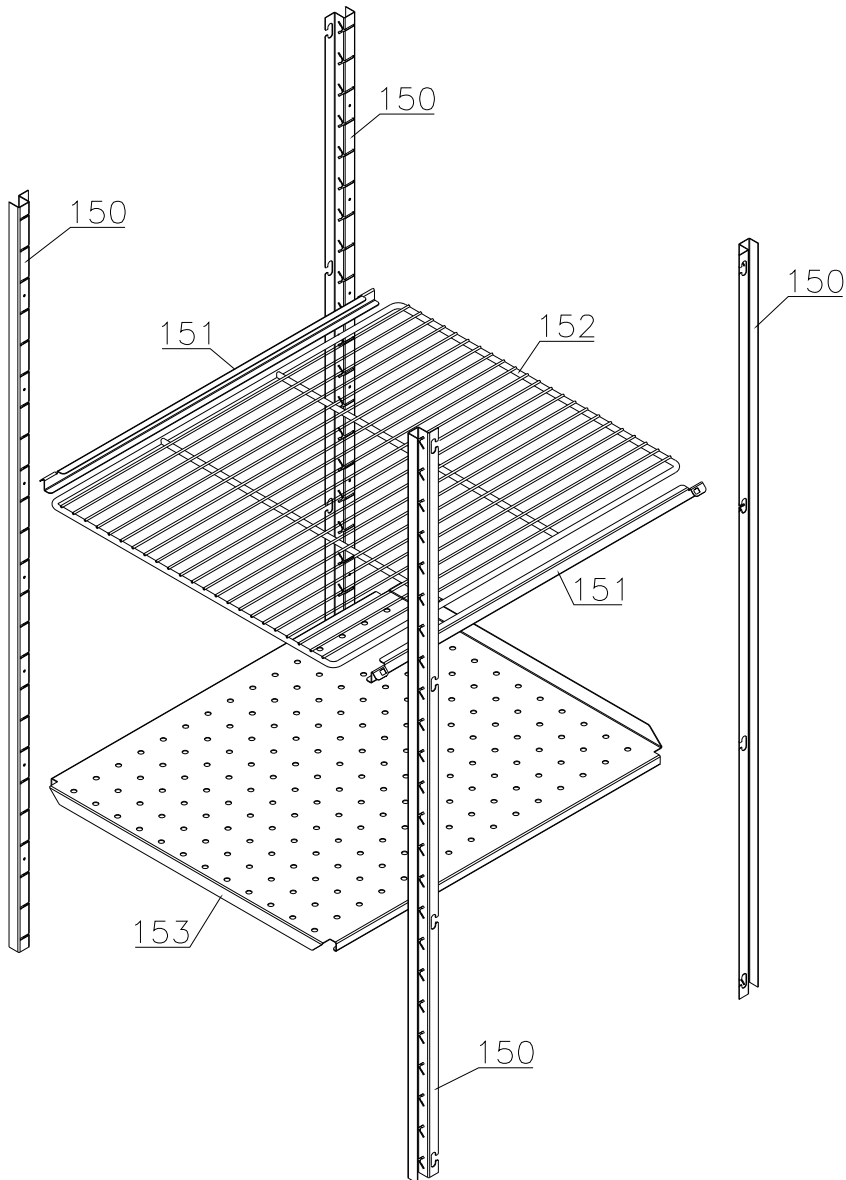
Description :

**Spare parts list for BioPlus / BioBlood
 ER/BR/RF/BF 1270/1400 CH/LH**

Compiled.		Latest revision.			Discontinued	
Date	Name	Date	Name	Rev.no	Date	Name
22.06.07	JP	30.11.20	JP	029		

Interior equipment

Shelves:



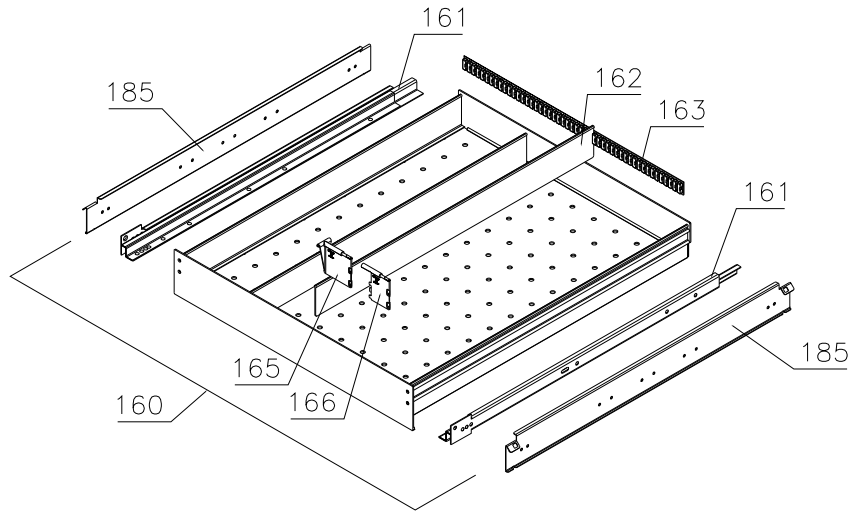
Description :

**Spare parts list for BioPlus / BioBlood
ER/BR/RF/BF 1270/1400 CH/LH**

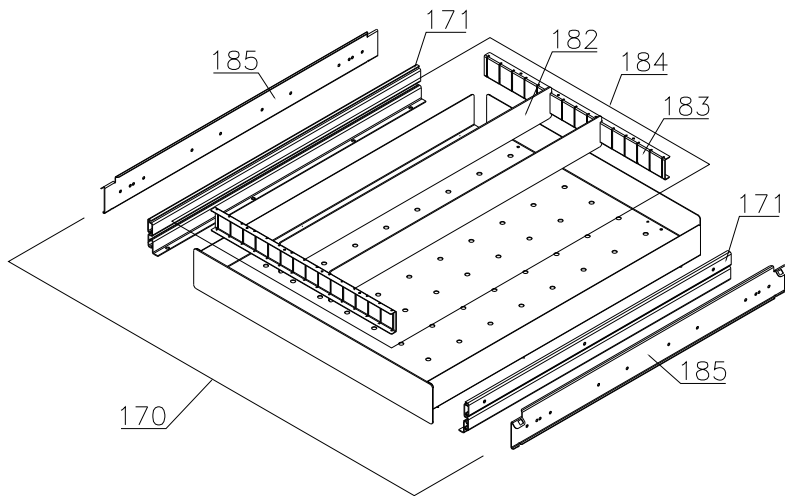
Compiled.		Latest revision.			Discontinued	
Date	Name	Date	Name	Rev.no	Date	Name
22.06.07	JP	30.11.20	JP	029		

Drawers:

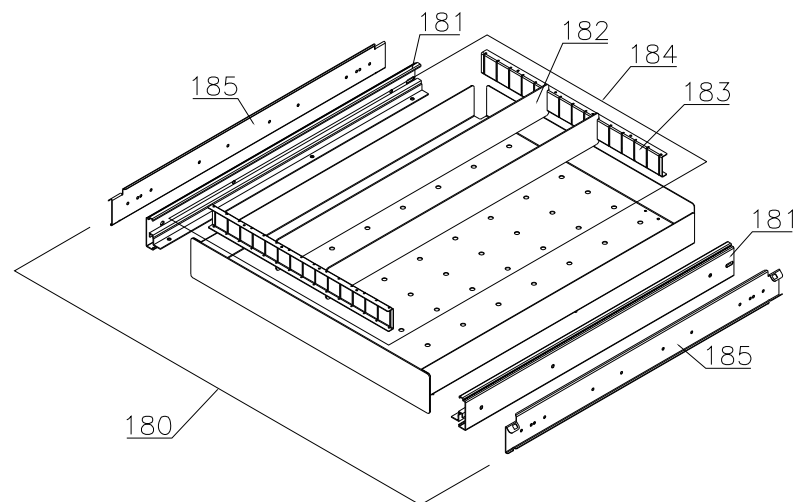
Alu



Stainless – 30 kg



Stainless – 40 kg



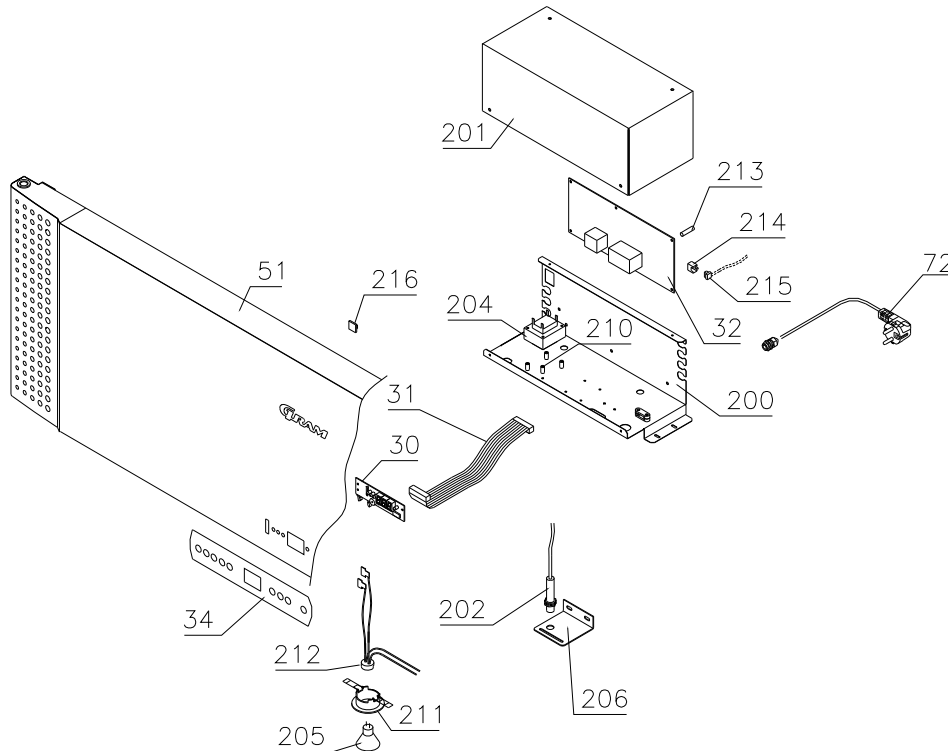
Description :

**Spare parts list for BioPlus / BioBlood
ER/BR/RF/BF 1270/1400 CH/LH**

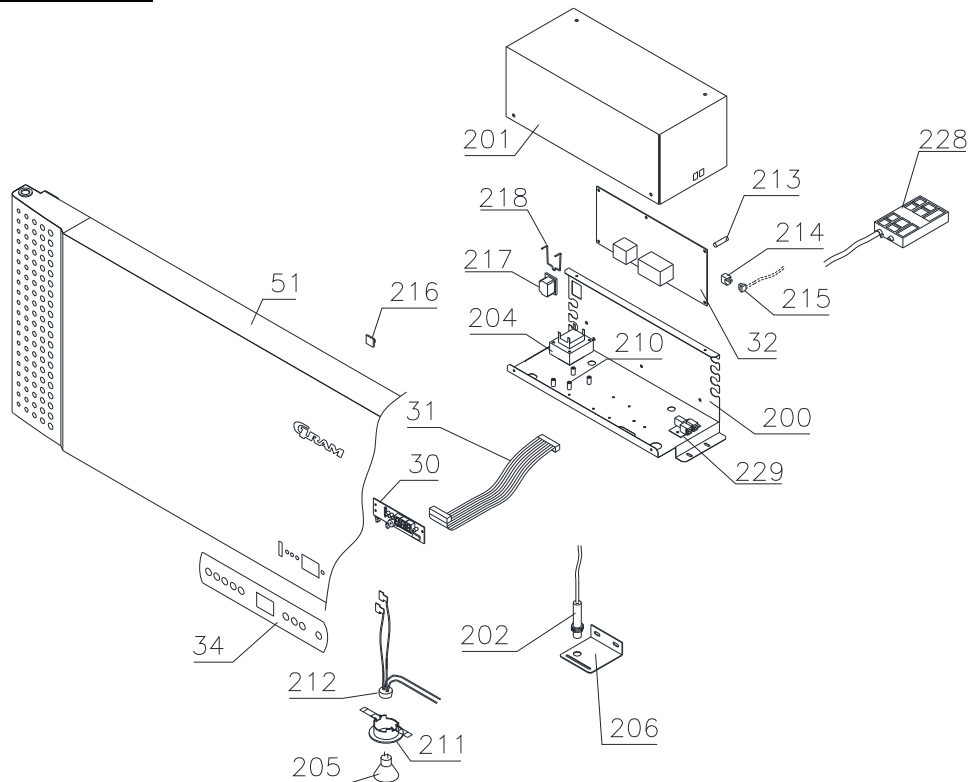
Compiled.		Latest revision.			Discontinued	
Date	Name	Date	Name	Rev.no	Date	Name
22.06.07	JP	30.11.20	JP	029		

Control panel/electric parts

1007 - 1709



1709 - 3716

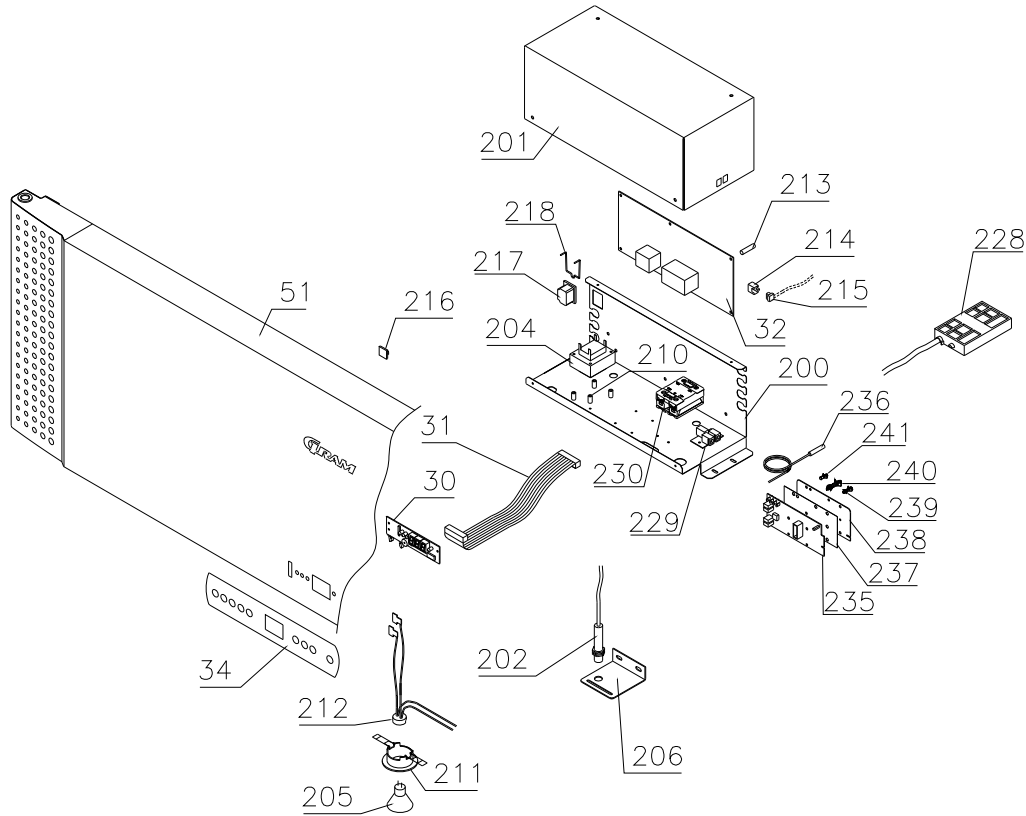


Description :

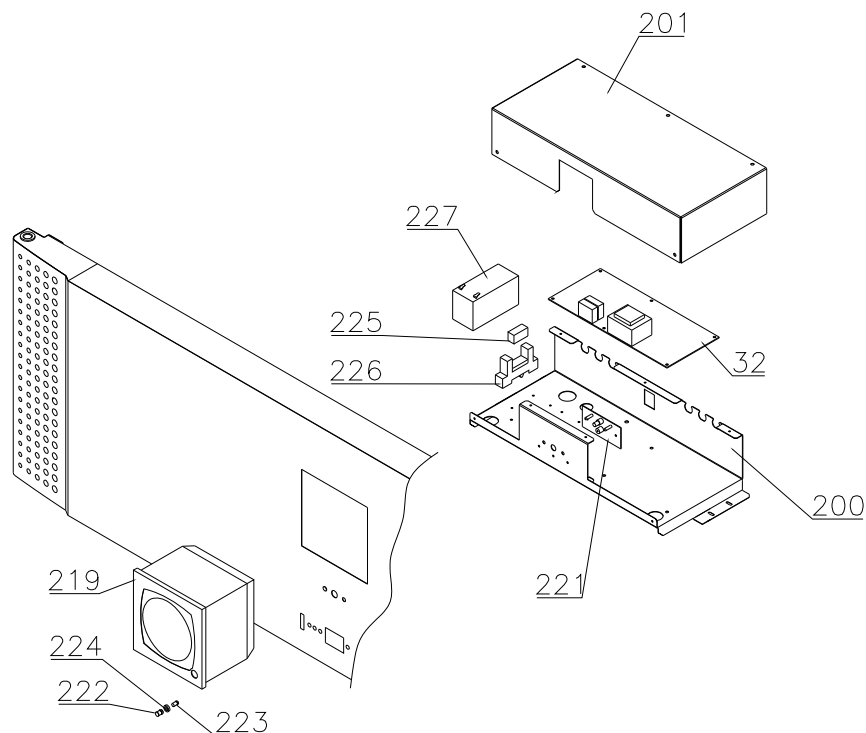
**Spare parts list for BioPlus / BioBlood
ER/BR/RF/BF 1270/1400 CH/LH**

Compiled.		Latest revision.			Discontinued	
Date	Name	Date	Name	Rev.no	Date	Name
22.06.07	JP	30.11.20	JP	029		

3716 -



Optional parts:

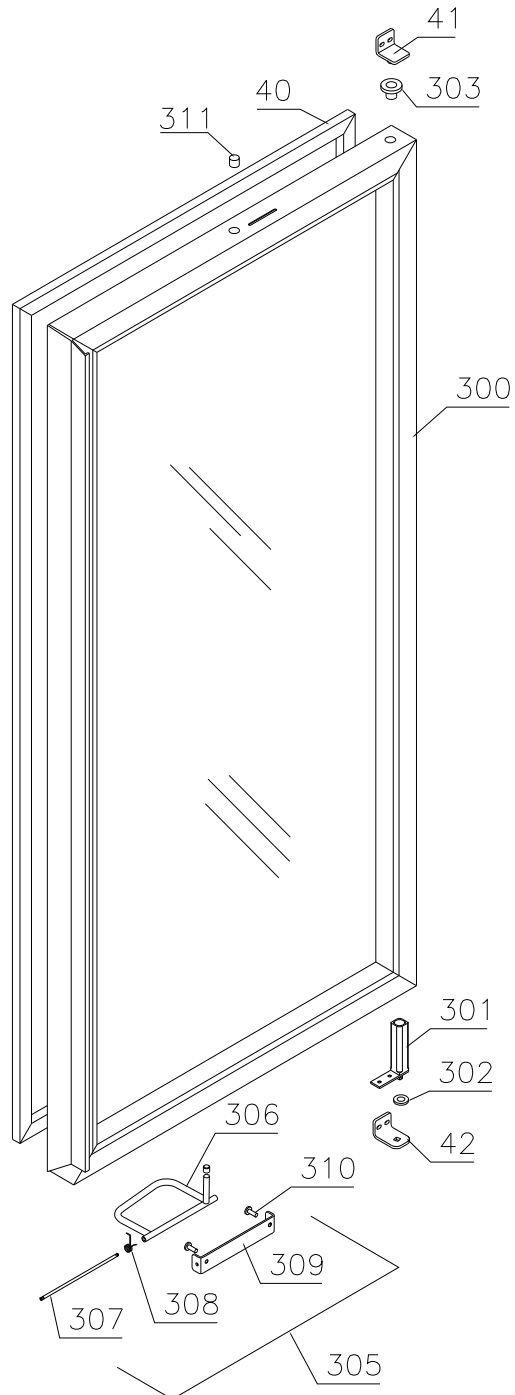


Description :

**Spare parts list for BioPlus / BioBlood
ER/BR/RF/BF 1270/1400 CH/LH**

Compiled.		Latest revision.			Discontinued	
Date	Name	Date	Name	Rev.no	Date	Name
22.06.07	JP	30.11.20	JP	029		

Glass door



Description :

**Spare parts list for BioPlus / BioBlood
ER/BR/RF/BF 1270/1400 CH/LH**

Compiled.		Latest revision.			Discontinued	
Date	Name	Date	Name	Rev.no	Date	Name
22.06.07	JP	30.11.20	JP	029		

Item No.	Description	Gram part No.	week/year Issued	week/year Deleted
----------	-------------	---------------	---------------------	----------------------

1. Essential spare parts

Refrigeration system/cabinet

ER/BR 1270/1400 – 50/60Hz:

1	Compressor SC 15 G	500550082	1007
2	Start relay	410589021	1007
3	Cover	452440280	1007
4	Cord relief	452440292	1007
5	Start capacitor	451720019	1007
6	Condenser	765080165	1007

RF/BF 1270/1400 – 50Hz:

1	Compressor SC 21 CL	500520350	1007
2	Starting device	453051001	1007
3	Cover	452440280	1007
4	Cord relief	452440292	1007
6	Condenser	765080166	1007

RF/BF 1270/1400 – 60Hz:

1	Compressor SC 15 CLX	500520289	1007
2	Starting device	453050040	1007
3	Cover	452440291	1007
4	Cord relief	452440292	1007
6	Condenser	765080166	1007

Gram Commercial
Technical information

765041228

Description :

**Spare parts list for BioPlus / BioBlood
ER/BR/RF/BF 1270/1400 CH/LH**

Compiled.		Latest revision.			Discontinued	
Date	Name	Date	Name	Rev.no	Date	Name
22.06.07	JP	30.11.20	JP	029		

Item No.	Description	Gram part No.	week/year Issued	week/year Deleted
<u>Common parts:</u>				
7	Defrost heating element 800 W	ER/BR 765071105	1007	
7	Defrost heating element 200 W	RF/BF 765071106	1007	
8	Overheat safety thermostat	765070828	1007	
9	Drip water heater 6,5 W	RF/BF 765071698	1007	
11	Rubber foot	760080519	1007	
12	Bush	760080521	1007	
13	Filter drier	762900156	1007	
14	Condenser fan guard	RF/BF 765080190	1007	
15	Wire for fan motor	612900400	1007	
16	Condenser sensor	453531500	1007	
18	Evaporator complete	RF/BF 761250721	1007	
18	Evaporator	762900114	1007	
19	Heat exchanger	ER/BR 762900059	1007	
19	Heat exchanger	RF/BF 765080076	1007	
20	Evaporator fan complete	761234098	1007	
21	Fan blade, ø200 34°	612900201	1007	3620
22	Room sensor	453531500	1007	
23	Defrost sensor	453531501	1007	0712
23	Defrost sensor	453531504	0712	
24	E-sensor	453531504	1007	
25	Re-evap. heating element 60 W	ER/BR 761250778	1007	2714
25	Re-evap. heating element 60 W	ER/BR 765072862	2714	
26	Float switch	ER/BR 765072049	1007	

Description :

**Spare parts list for BioPlus / BioBlood
ER/BR/RF/BF 1270/1400 CH/LH**

Compiled.		Latest revision.			Discontinued	
Date	Name	Date	Name	Rev.no	Date	Name
22.06.07	JP	30.11.20	JP	029		

Item No.	Description	Gram part No.	week/year Issued	week/year Deleted
----------	-------------	---------------	---------------------	----------------------

Control panel:

30	Electronic control, display part	612900050	1007	2210
30	Electronic control, display part	612900056	2210	
30	Electronic control, display part for LTP	612900057	3919	
31	Band cable L=1200	453582046	1007	
31	Band cable for LTP	765072970	3919	
32	Controller power part M5	ER 761256135	1007	
32	Controller power part M4	BR 761256133	1007	
32	Controller power part F5	RF/BF 761256134	1007	4814
32	Controller power part F51	RF/BF 761256162	4814	
32	Controller power part M5 batt.alm.	ER 761256146	1007	
32	Controller power part M4 batt.alm.	BR 761256145	1007	
32	Controller power part F5 batt.alm.	RF/BF 761256147	1007	
34	Label with keys	761230076	1007	1010
34	Label with keys	765041752	1010	

Door :

40	Door gasket	1270	761259243	1007
40	Door gasket	1400	761259244	1007
41	Hinge, upper right/bottom left		761258934	1007
42	Hinge, bottom right/upper left		761258998	1007

Description :

**Spare parts list for BioPlus / BioBlood
ER/BR/RF/BF 1270/1400 CH/LH**

Compiled.		Latest revision.			Discontinued	
Date	Name	Date	Name	Rev.no	Date	Name
22.06.07	JP	30.11.20	JP	029		

Item No.	Description	Gram part No.	week/year Issued	week/year Deleted
----------	-------------	---------------	---------------------	----------------------

2. Other spare parts

Cabinet

50	Air relief valve		765081206	1007	
51	Front panel – solid door, stainless		761234030	1007	
51	Front panel – solid door, white		761231483	1007	
51	Front panel – glass door, stainless		761234031	1007	
51	Front panel – glass door, white		761234032	1007	
53	Cover rail for evaporator		761257136	1007	
54	Cover plate, left		761257125	1007	
55	Cover plate, right		761257126	1007	
56	Suspension bracket for evaporator		761257114	1007	
57	Heating element bracket		761254427	1007	
58	Fan holder		761258499	1007	3620
59	Cable clip		452470001	1007	
60	Drip water tray		761256035	1007	
60	Drip water tray, insulated	RF/BF	761236010	0710	
61	Holder for drip water tray		761253441	1007	
61	Holder for drip water tray	RF/BF	761253442	0710	
62	Air distribution plate	1270	761254429	1007	
62	Air distribution plate	1400	761254430	1007	
63	Rail for air distribution plate		760243634	1007	
64	Re-evaporation tray		765081149	1007	
65	Cover plate for re-evap. tray		761255383	1007	
66	Water trap		760082891	1007	
67	Intermediate division bar		761257239	1007	
68	Drip plate		761257135	1007	
69	Drain pipe		765081153	1007	
70	Heating element bracket	ER/BR	761255445	1007	2714
70	Heating element bracket	ER/BR	763250002	2714	
71	Float switch bracket	ER/BR	761255446	1007	2714
71	Float switch bracket	ER/BR	763250003	2714	
72	Lead and plug, DK 3-pin		765072555	1007	
72	Lead and plug, Schuko		765072554	1007	
72	Lead and plug, GB		765072553	1007	

Gram Commercial
Technical information

765041228

Description :

Spare parts list for BioPlus / BioBlood
ER/BR/RF/BF 1270/1400 CH/LH

Compiled.		Latest revision.			Discontinued	
Date	Name	Date	Name	Rev.no	Date	Name
22.06.07	JP	30.11.20	JP	029		

Item No.	Description	Gram part No.	week/year Issued	week/year Deleted
76	Screw for fan blade	612900100	1007	3620
77	Leg, stainless H=135-200	765080115	1007	
78	Castor wheel, H=125	480260100	1007	
79	Castor wheel, with brake	480260050	1007	
80	Screw M8 x 20	422715070	1007	
81	Front panel filter	761258491	1007	
83	Condenser filter	761114423	1007	
84	Attachment spring	761114417	1007	2809
84	Attachment plug	765081233	2809	
85	Base frame, front	761253902	1007	
86	Base frame, back	761257449	1007	
87	Door lock – solid door	765080092	1007	
87	Door lock – glass door	765080098	1007	
88	Key no. 1 (25010)	765080340	1007	
88	Key no. 2 (25020)	765080341	1007	
88	Key no. 3 (25030)	765080342	1007	
88	Key no. 4 (25040)	765080343	1007	
88	Key no. 5 (25050)	765080344	1007	
88	Master key	765080385	1007	
89	Junction box f. re-evap. heater	ER/BR 765070143	1007	
90	Front panel hinge	761259017	1007	
91	Front panel support rod	761257589	1007	
92	Bracket for lock	760248748	1007	
93	Plastic cap	450450080	1007	
94	Re-evaporation heater kit complete	761255438	1007	2714
94	Re-evaporation heater kit complete	763254026	2714	
95	Cap for M5 hole	grey 765080501	1007	
95	Cap for M5 hole	white 765080504	1007	
96	Insulation plug	765080563	2309	
97	Plastic cap	501020023	2309	
98	Liquid container	765080384	1007	
99	Holder for liquid container	761256497	1007	
100	Fan guard	765081239	0509	
101	Plastic clip	452470013	1007	

Gram Commercial
Technical information

765041228

Description :

**Spare parts list for BioPlus / BioBlood
ER/BR/RF/BF 1270/1400 CH/LH**

Compiled.		Latest revision.			Discontinued	
Date	Name	Date	Name	Rev.no	Date	Name
22.06.07	JP	30.11.20	JP	029		

Item No.	Description	Gram part No.	week/year Issued	week/year Deleted
<u>Interior equipment:</u>				
150	Wall rail	1270 761230151	1007	0808
150	Wall rail	1270 761256462	0808	
150	Wall rail, left	1400 761230149	1007	0808
150	Wall rail, right	1400 761230150	1007	0808
150	Wall rail	1400 761256454	0808	
151	Shelf support rail	761256455	1007	
152	Stainless wire shelf, GN 2/1	818880007	1007	
152	Grey wire shelf	818880008	1007	
153	Perforated shelf, stainless	761230083	1007	
160	Alu drawer, complete	761230357	1007	
161	Set of sliding rails	761234055	1007	
162	Divider rail	761230016	1007	
163	Holder for divider rail	761230367	1007	
165	Plastic divider 1	761230021	1007	
166	Plastic divider 2	761230022	1007	
170	Stainless drawer, complete 30 kg	761231232	1007	
171	Set of sliding rails	761234000	1008	
180	BioBlood drawer complete 40 kg	761231202	1008	
181	Set of sliding rails	761234058	1008	
182	Divider, stainless	761230308	1008	
183	Holder for divider, stainless	761230305	1008	
184	Divider set complete	761231448	1008	
185	Support for sliding rail	761230201	1008	

Description :

**Spare parts list for BioPlus / BioBlood
ER/BR/RF/BF 1270/1400 CH/LH**

Compiled.		Latest revision.			Discontinued	
Date	Name	Date	Name	Rev.no	Date	Name
22.06.07	JP	30.11.20	JP	029		

Item No.	Description	Gram part No.	week/year Issued	week/year Deleted
----------	-------------	---------------	---------------------	----------------------

Control panel/electrical parts:

200	Junction box	761230090	1007	
201	Cover for junction box	761255432	1007	
202	Door switch	450400113	1007	
203	Distance tube L=8.3 mm	765080021	1007	
204	Trafo for lights	760073650	1007	
205	Halogen light 10W	450742002	1007	
206	Bracket for door switch and lock	761259005	1007	
207	Appliance inlet	451022002	1007	
210	Distance bush L=16	451119513	1007	
211	Mounting socket for halogen light	761251323	1007	
212	Wiring for halogen light	765071603	1007	
213	Spacer for PCB	451119515	1007	
214	Sensor plug holder	452260601	1007	
215	Sensor plug	452260600	1007	
216	Cable clip	424350001	1007	
217	Appliance inlet	451022002	1709	
218	Brace for mains cable	761230215	1709	
219	Chart recorder	761256438	1007	
221	Battery alarm PCB	453580116	1007	
222	Clear glass for LED	765080380	1007	
223	Light stick for LED	765080381	1007	
224	Spacer for LED	765080382	1007	
225	Relay	450200082	1007	
226	Relay socket	450200097	1007	
227	Battery	130080060	1007	
228	Box for alarm connection	761230356	1200	
229	Datalogger connector	453570037	4311	
230	Solid State relay	450200300	3716	
235	LTP controller	453580515	3919	
236	LTP sensor	453531533	3919	
237	PCB protection sheet	765072698	0718	
238	Screening plate	765073271	0718	
239	Dual locking spacer H=7.9 mm	451119525	0718	
240	Dual locking spacer H=15.9 mm	451119526	0718	
241	Push spacer H=7.9 mm	451119527	0718	

Description :

**Spare parts list for BioPlus / BioBlood
ER/BR/RF/BF 1270/1400 CH/LH**

Compiled.		Latest revision.			Discontinued	
Date	Name	Date	Name	Rev.no	Date	Name
22.06.07	JP	30.11.20	JP	029		

Item No.	Description	Gram part No.	week/year Issued	week/year Deleted
----------	-------------	---------------	---------------------	----------------------

Door :

300	Door stainless, left	1270	761251307	1007
300	Door white, left	1270	761251319	1007
300	Door stainless, right	1270	761251300	1007
300	Door white, right	1270	761251301	1007
300	Door stainless, left	1400	761251313	1007
300	Door white, left	1400	761251322	1007
300	Door stainless, right	1400	761251306	1007
300	Door white, right	1400	761251302	1007
300	Glass door	1270	761259150	1007
300	Glass door	1400	761259168	1007
301	Self-close device (left)		761259910	1007
301	Self-close device (right)		761259909	1007
302	Washer		421708020	1007
305	Foot pedal complete, lefthand		761258167	1007
305	Foot pedal complete, righthand		761258166	1007
306	Pedal arm, lefthand		761258482	1007
306	Pedal arm, righthand		761258407	1007
307	Pedal spindle		761258406	1007
308	Spring for pedal, lefthand		760251364	1007
308	Spring for pedal, righthand		760251363	1007
309	Bracket for pedal		761258404	1007
310	Screw M5x12		420178203	1007
311	Magnet for door switch		450401002	1007