

*Spare parts - BioPlus/BioBlood  
ER/BR/RF/BF 600/660 W CH/LH*

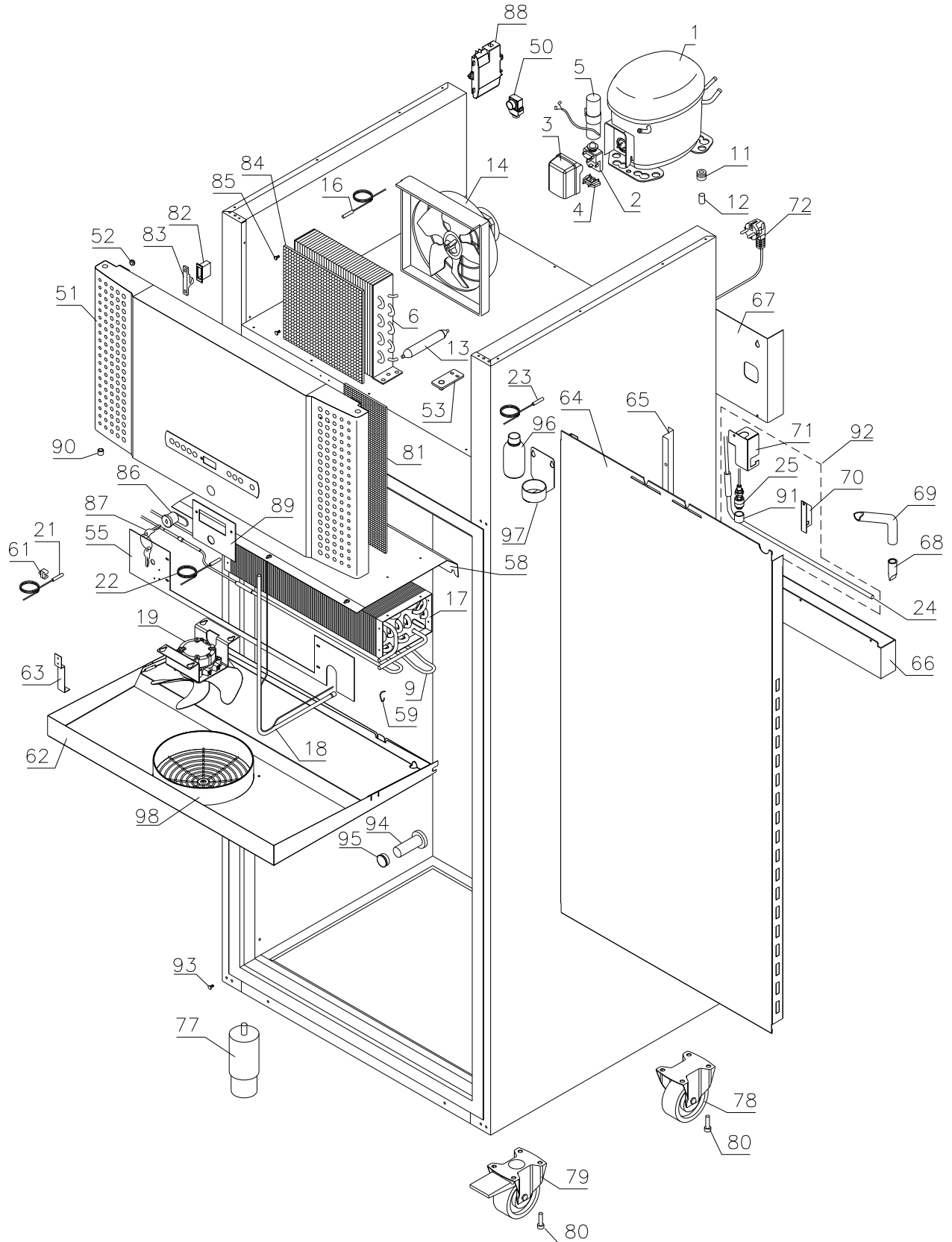


Description :

Spare parts list for BioPlus/BioBlood  
ER/BR/RF/BF 600/660 W CH/LH

| Compiled. |      | Latest revision. |      |        | Discontinued |      |
|-----------|------|------------------|------|--------|--------------|------|
| Date      | Name | Date             | Name | Rev.no | Date         | Name |
| 29.05.07  | JP   | 06.10.20         | JP   | 030    |              |      |

ER/BR 600/660 W

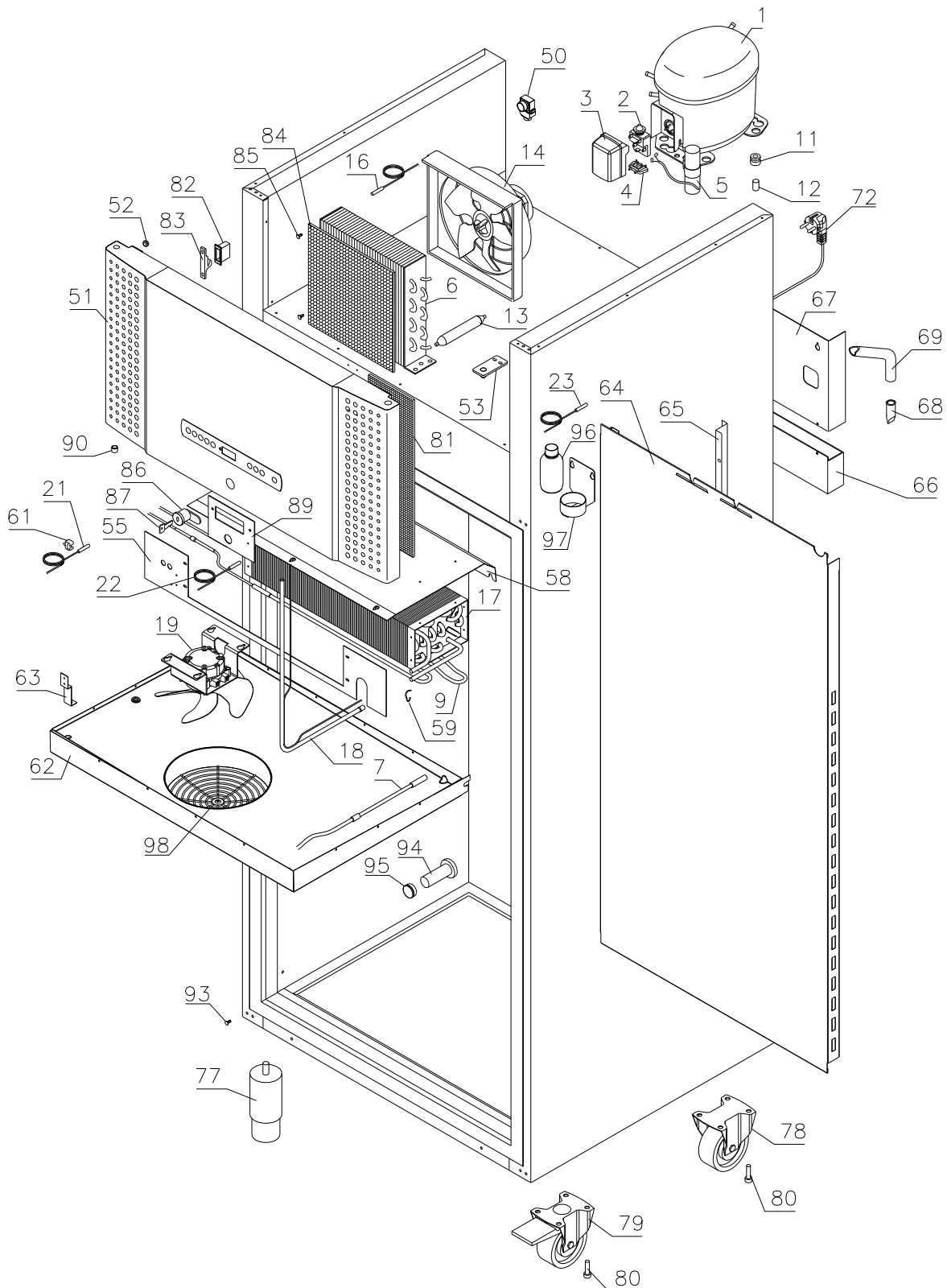


Description :

Spare parts list for BioPlus/BioBlood  
ER/BR/RF/BF 600/660 W CH/LH

| Compiled. |      | Latest revision. |      |        | Discontinued |      |
|-----------|------|------------------|------|--------|--------------|------|
| Date      | Name | Date             | Name | Rev.no | Date         | Name |
| 29.05.07  | JP   | 06.10.20         | JP   | 030    |              |      |

RF/BF 600/660 W



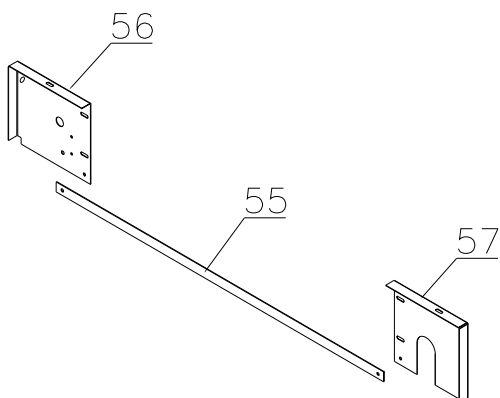
Description :

**Spare parts list for BioPlus/BioBlood  
ER/BR/RF/BF 600/660 W CH/LH**

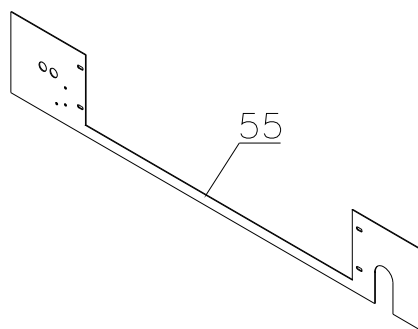
| Compiled. |      | Latest revision. |      |        | Discontinued |      |
|-----------|------|------------------|------|--------|--------------|------|
| Date      | Name | Date             | Name | Rev.no | Date         | Name |
| 29.05.07  | JP   | 06.10.20         | JP   | 030    |              |      |

**Evaporator cover**

1007 – 1009

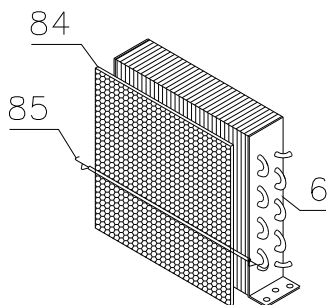


1009 -

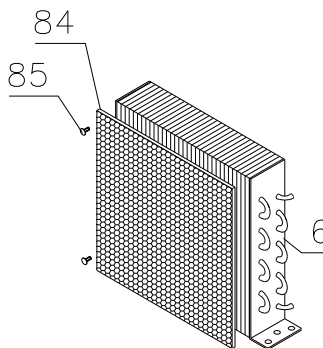


**Condenser filter**

1007 – 2809

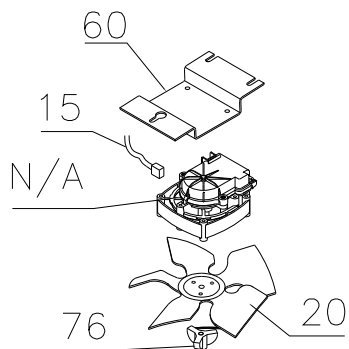


2809 -

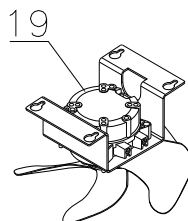


**Condenser filter**

1007 – 3620



3620 -



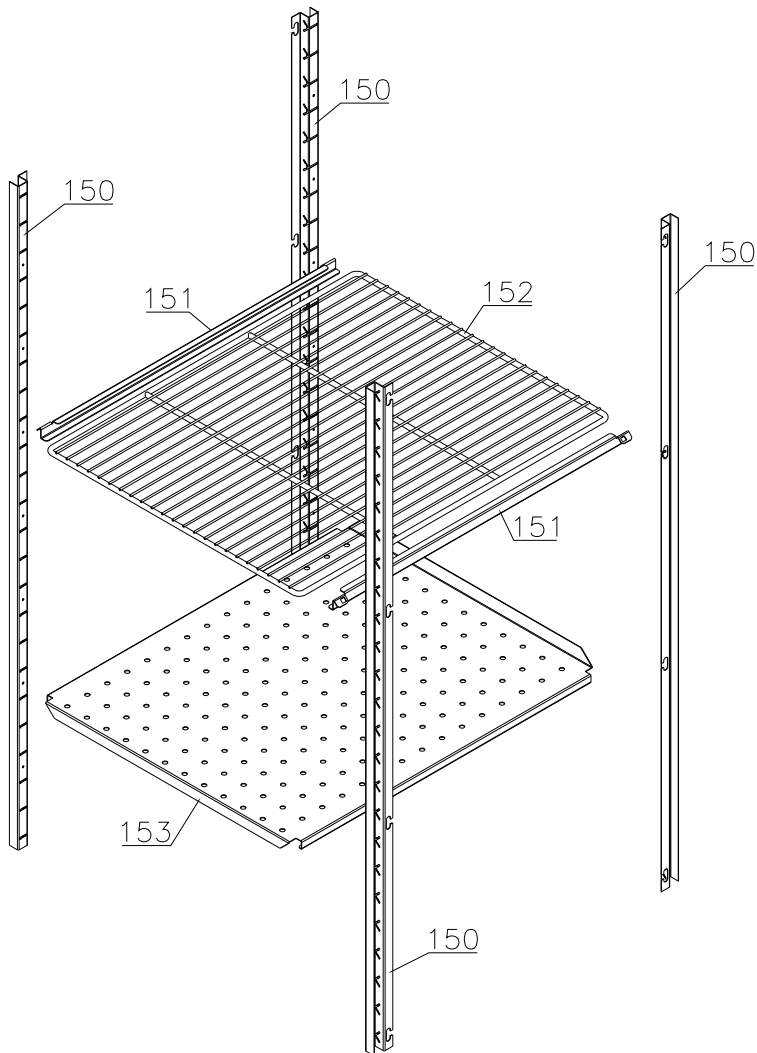
Description :

**Spare parts list for BioPlus/BioBlood  
ER/BR/RF/BF 600/660 W CH/LH**

| Compiled. |      | Latest revision. |      |        | Discontinued |      |
|-----------|------|------------------|------|--------|--------------|------|
| Date      | Name | Date             | Name | Rev.no | Date         | Name |
| 29.05.07  | JP   | 06.10.20         | JP   | 030    |              |      |

**Interior equipment**

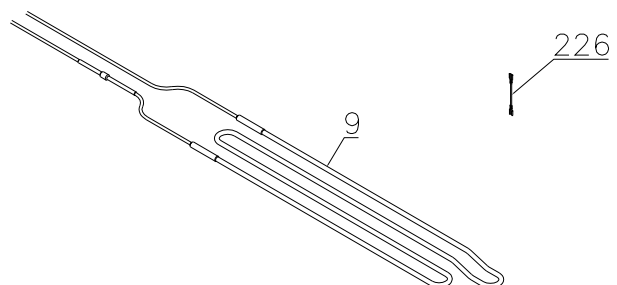
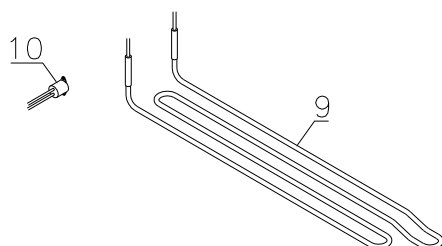
Shelves:



**Defrost heater**

107 – 281

281 -



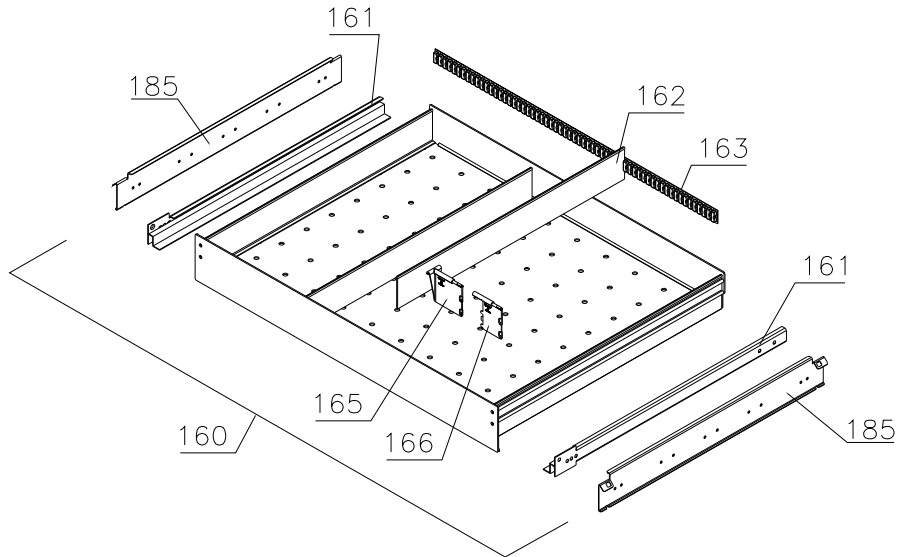
Description :

**Spare parts list for BioPlus/BioBlood  
ER/BR/RF/BF 600/660 W CH/LH**

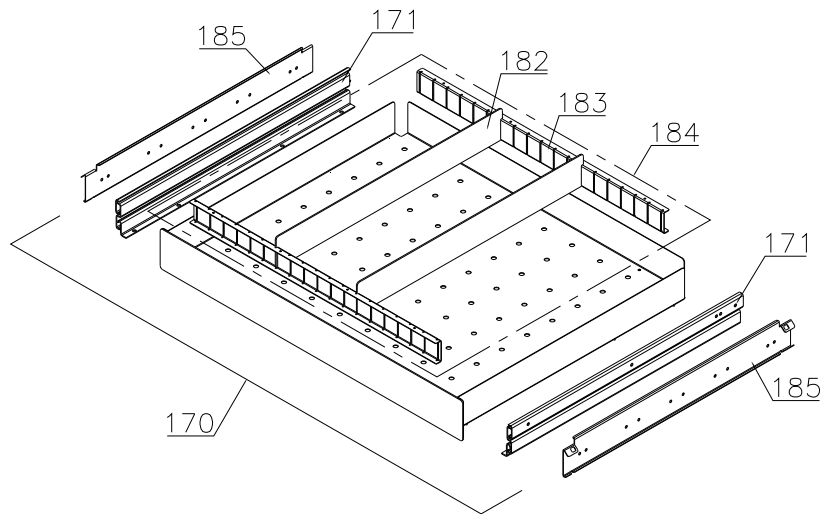
| Compiled. |      | Latest revision. |      |        | Discontinued |      |
|-----------|------|------------------|------|--------|--------------|------|
| Date      | Name | Date             | Name | Rev.no | Date         | Name |
| 29.05.07  | JP   | 06.10.20         | JP   | 030    |              |      |

Drawers:

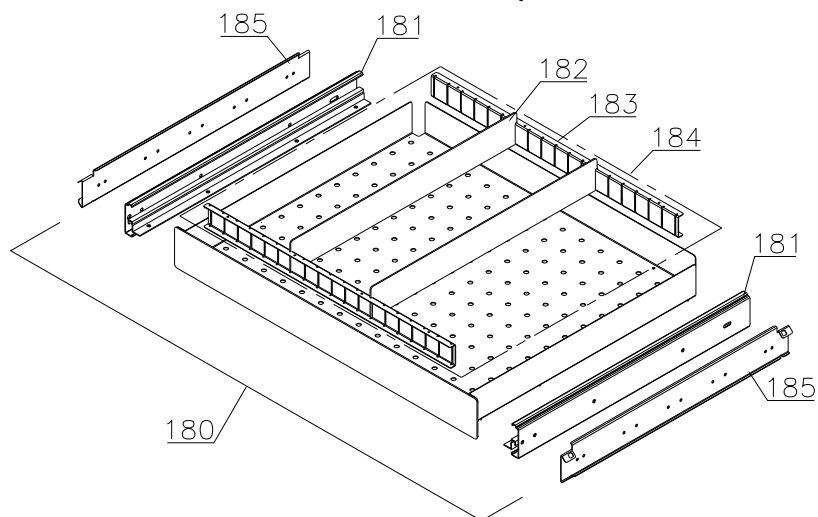
Alu



Stainless – 30 kg



Stainless – 40 kg



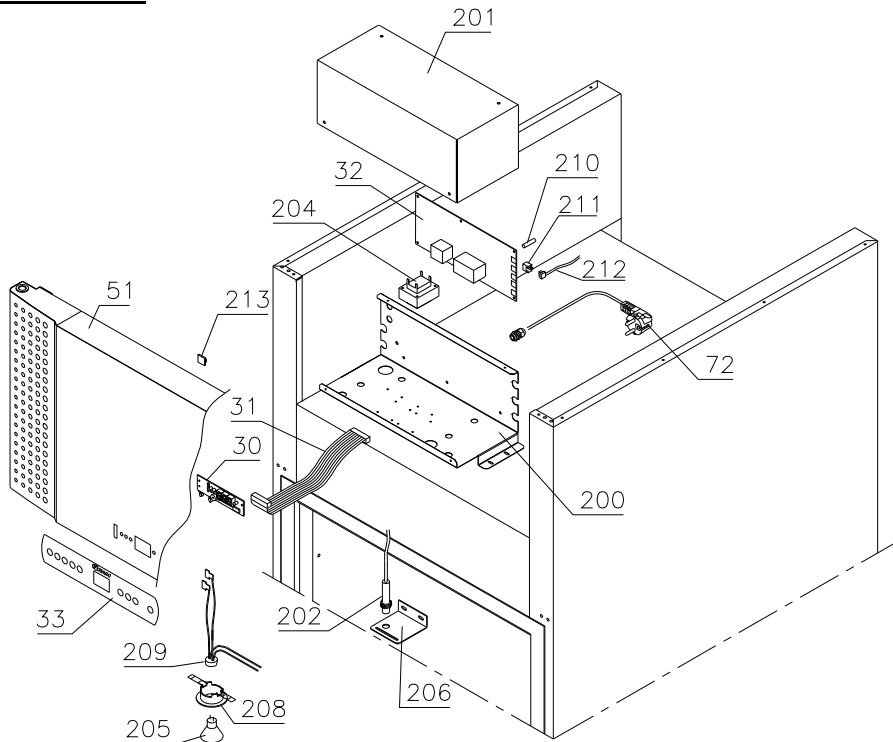
Description :

**Spare parts list for BioPlus/BioBlood  
ER/BR/RF/BF 600/660 W CH/LH**

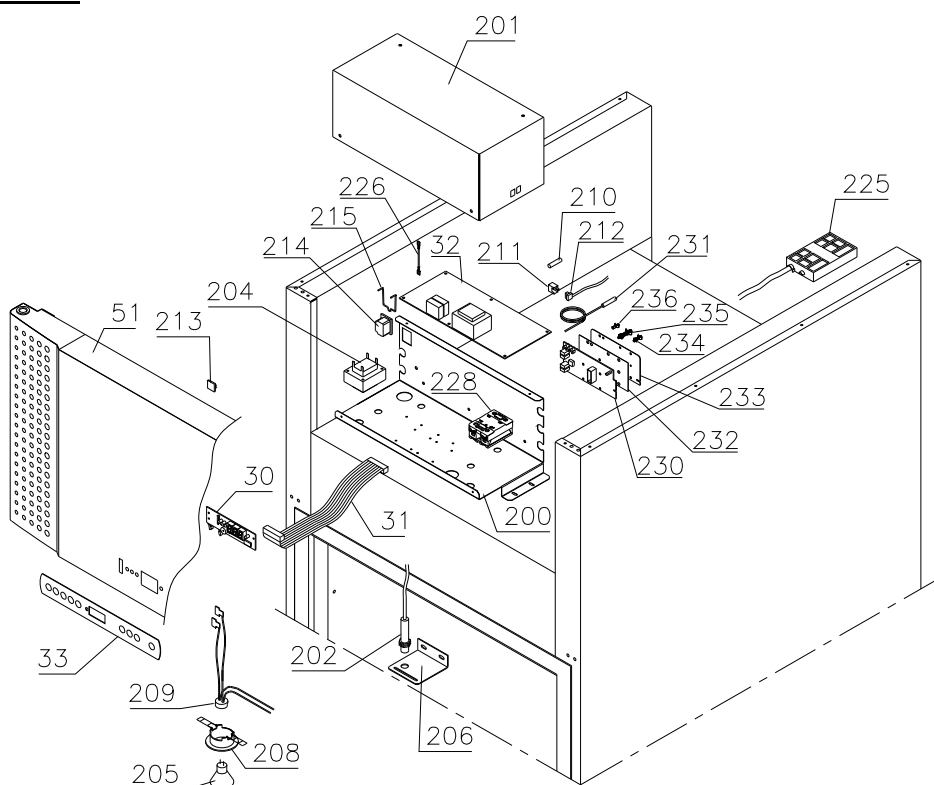
| Compiled. |      | Latest revision. |      |        | Discontinued |      |
|-----------|------|------------------|------|--------|--------------|------|
| Date      | Name | Date             | Name | Rev.no | Date         | Name |
| 29.05.07  | JP   | 06.10.20         | JP   | 030    |              |      |

**Control panel / electrical parts**

1007 - 1709



1709 -

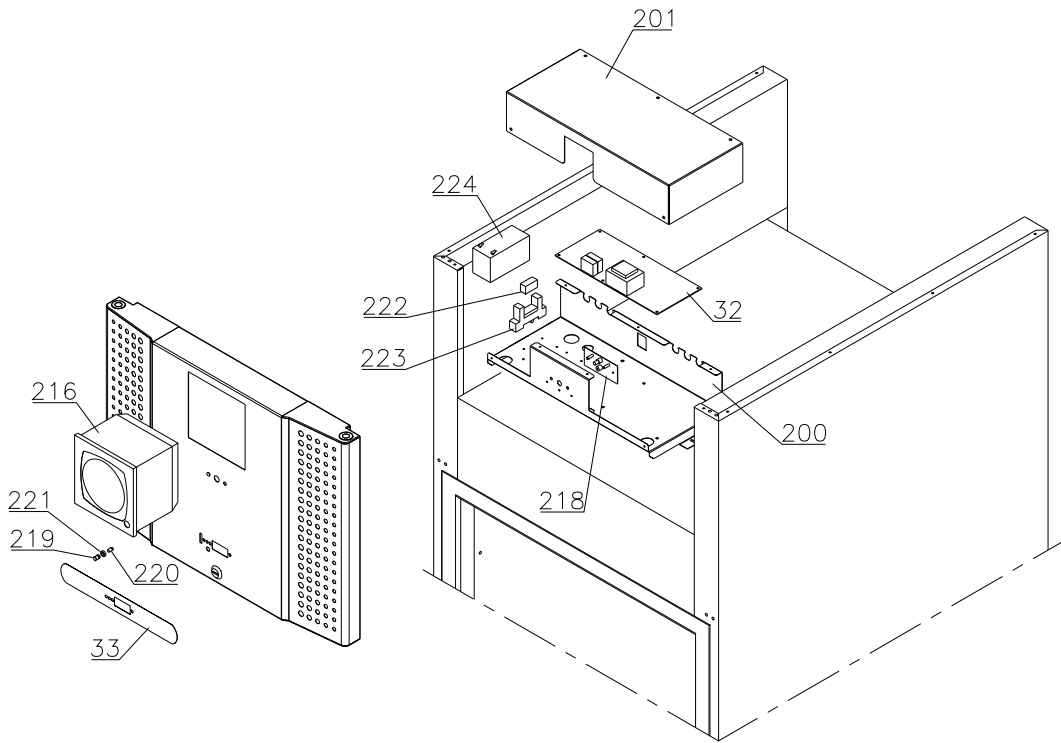


Description :

**Spare parts list for BioPlus/BioBlood  
 ER/BR/RF/BF 600/660 W CH/LH**

| Compiled. |      | Latest revision. |      |        | Discontinued |      |
|-----------|------|------------------|------|--------|--------------|------|
| Date      | Name | Date             | Name | Rev.no | Date         | Name |
| 29.05.07  | JP   | 06.10.20         | JP   | 030    |              |      |

Optional parts





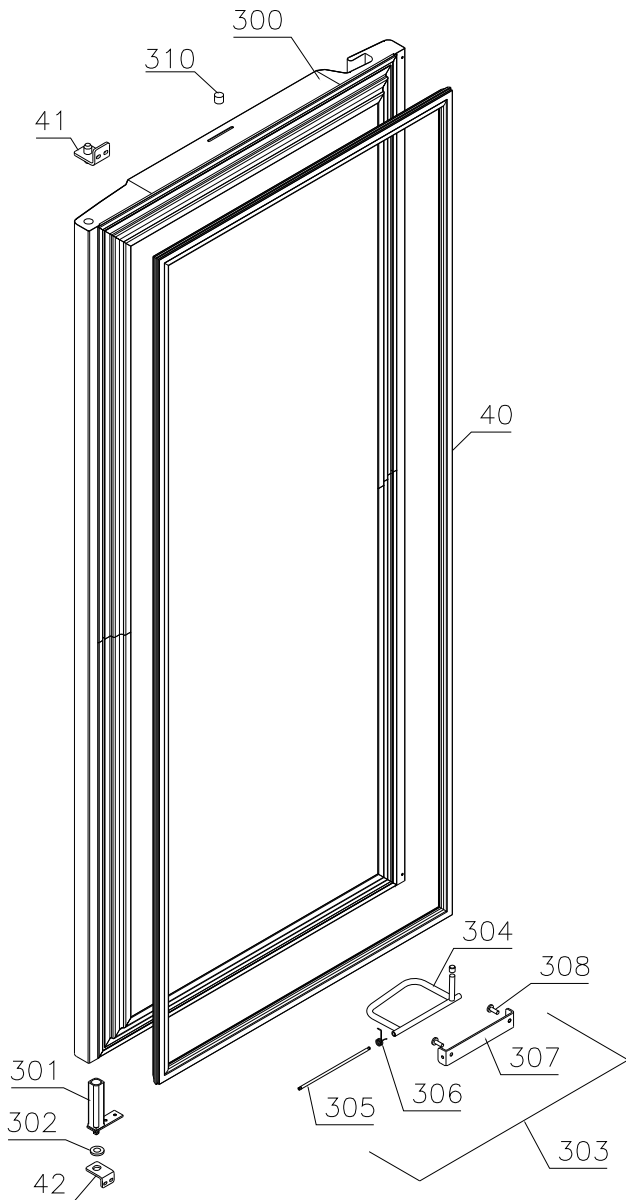
Description :

**Spare parts list for BioPlus/BioBlood  
ER/BR/RF/BF 600/660 W CH/LH**

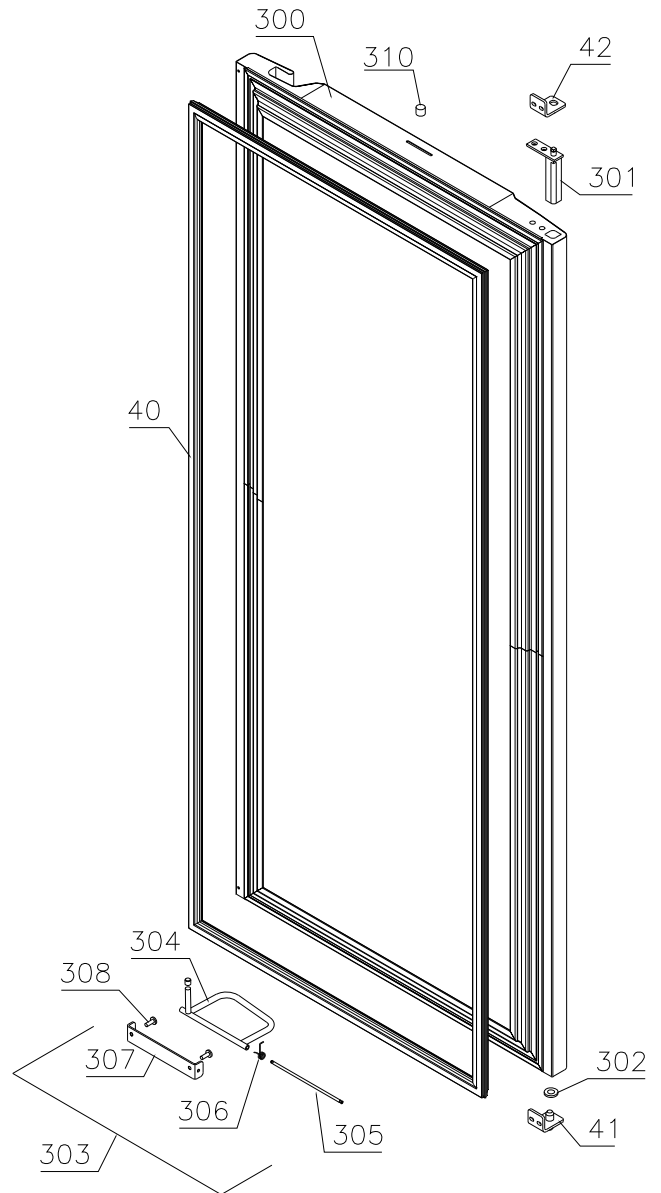
| Compiled. |      | Latest revision. |      |        | Discontinued |      |
|-----------|------|------------------|------|--------|--------------|------|
| Date      | Name | Date             | Name | Rev.no | Date         | Name |
| 29.05.07  | JP   | 06.10.20         | JP   | 030    |              |      |

**Door**

Righthand



Lefthand

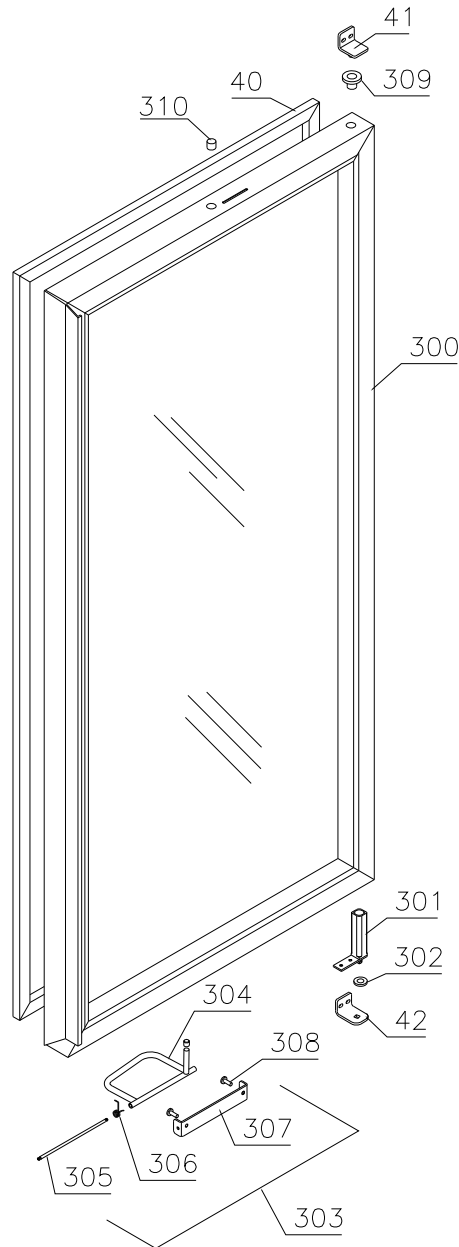


Description :

**Spare parts list for BioPlus/BioBlood  
 ER/BR/RF/BF 600/660 W CH/LH**

| Compiled. |      | Latest revision. |      |        | Discontinued |      |
|-----------|------|------------------|------|--------|--------------|------|
| Date      | Name | Date             | Name | Rev.no | Date         | Name |
| 29.05.07  | JP   | 06.10.20         | JP   | 030    |              |      |

Glass door

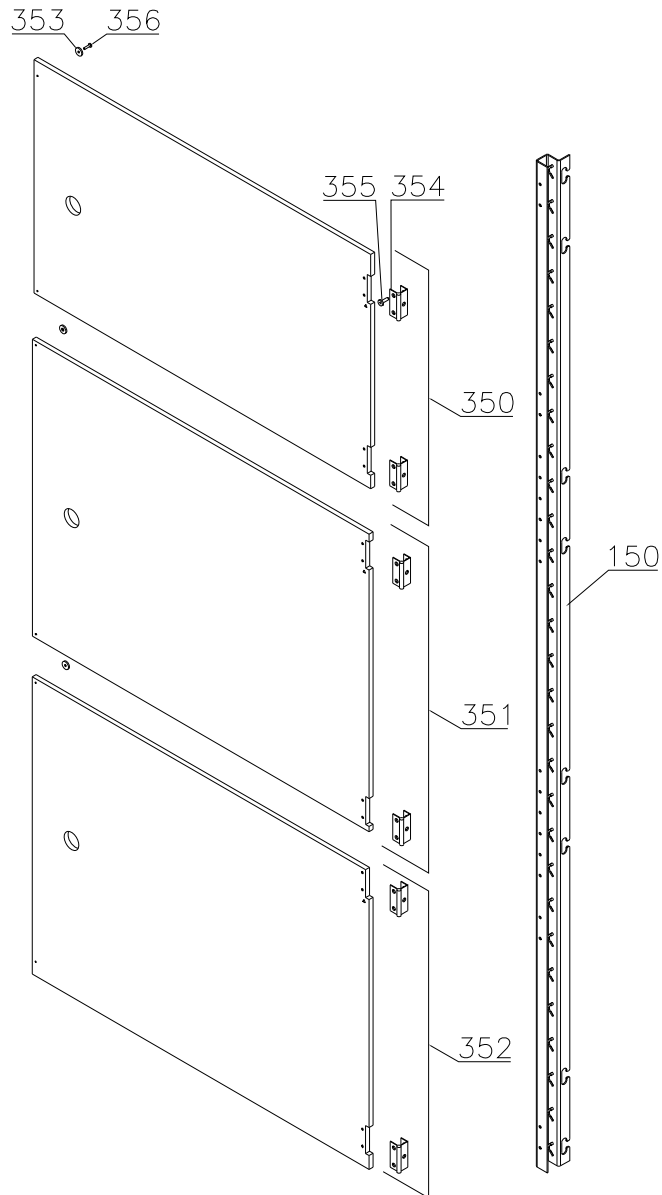


Description :

**Spare parts list for BioPlus/BioBlood  
ER/BR/RF/BF 600/660 W CH/LH**

| Compiled. |      | Latest revision. |      |        | Discontinued |      |
|-----------|------|------------------|------|--------|--------------|------|
| Date      | Name | Date             | Name | Rev.no | Date         | Name |
| 29.05.07  | JP   | 06.10.20         | JP   | 030    |              |      |

**Internal doors**



Description :

**Spare parts list for BioPlus/BioBlood  
ER/BR/RF/BF 600/660 W CH/LH**

| Compiled. |      | Latest revision. |      |        | Discontinued |      |
|-----------|------|------------------|------|--------|--------------|------|
| Date      | Name | Date             | Name | Rev.no | Date         | Name |
| 29.05.07  | JP   | 06.10.20         | JP   | 030    |              |      |

| Item No. | Description | Gram part No. | week/year<br>Issued | week/year<br>Deleted |
|----------|-------------|---------------|---------------------|----------------------|
|----------|-------------|---------------|---------------------|----------------------|

**Essential spare parts**

Refrigeration system/cabinet

ER/BR 600/660 W – 50/60Hz:

|   |                     |           |      |  |
|---|---------------------|-----------|------|--|
| 1 | Compressor FR 7,5 G | 500550061 | 1007 |  |
| 2 | Start relay         | 410589015 | 1007 |  |
| 3 | Cover               | 452440293 | 1007 |  |
| 4 | Cord relief         | 452440300 | 1007 |  |
| 5 | Start capacitor     | 451720018 | 1007 |  |
| 6 | Condenser           | 765080161 | 1007 |  |

RF/BF 600/660 W – 50Hz:

|   |                         |           |      |      |
|---|-------------------------|-----------|------|------|
| 1 | Compressor SC 12 CL     | 500520255 | 1007 | 1613 |
| 1 | Compressor SC 12 CLX.2  | 500520257 | 1613 |      |
| 2 | Start relay             | 410589021 | 1007 |      |
| 3 | Cover                   | 452440280 | 1007 |      |
| 4 | Cord relief             | 452440292 | 1007 |      |
| 5 | Start capacitor         | 451720018 | 1007 |      |
| 6 | Condenser               | 765080163 | 1007 |      |
| 7 | Drip water heater 6,5 W | 765071698 | 1007 |      |

RF/BF 600/660 W – 60Hz:

|   |                         |           |      |  |
|---|-------------------------|-----------|------|--|
| 1 | Compressor SC 10 CLX    | 500520102 | 1007 |  |
| 2 | Start relay             | 410589021 | 1007 |  |
| 3 | Cover                   | 452440291 | 1007 |  |
| 4 | Cord relief             | 452440292 | 1007 |  |
| 5 | Start capacitor         | 451720019 | 1007 |  |
| 6 | Condenser               | 765080163 | 1007 |  |
| 7 | Drip water heater 6,5 W | 765071698 | 1007 |  |

Description :

**Spare parts list for BioPlus/BioBlood  
ER/BR/RF/BF 600/660 W CH/LH**

| Compiled. |      | Latest revision. |      |        | Discontinued |      |
|-----------|------|------------------|------|--------|--------------|------|
| Date      | Name | Date             | Name | Rev.no | Date         | Name |
| 29.05.07  | JP   | 06.10.20         | JP   | 030    |              |      |

| Item No. | Description | Gram part No. | week/year<br>Issued | week/year<br>Deleted |
|----------|-------------|---------------|---------------------|----------------------|
|----------|-------------|---------------|---------------------|----------------------|

Common parts:

|    |                               |                    |      |      |
|----|-------------------------------|--------------------|------|------|
| 9  | Defrost heating element 350 W | 765071819          | 1007 |      |
| 10 | Overheat safety thermostat    | 765070828          | 1007 | 2811 |
| 11 | Rubber foot                   | 760080519          | 1007 |      |
| 12 | Bush                          | 760080521          | 1007 |      |
| 13 | Filter drier                  | 762900156          | 1007 |      |
| 14 | Condenser fan guard           | ER/BR<br>765080188 | 1007 |      |
| 14 | Condenser fan guard           | RF/BF<br>765080190 | 1007 |      |
| 15 | Wire for fan motor            | 612900400          | 1007 |      |
| 16 | Condenser sensor              | 453531500          | 1007 |      |
| 17 | Evaporator complete           | 762900090          | 1007 |      |
| 17 | Evaporator                    | 765080185          | 1007 |      |
| 18 | Heat exchanger                | 762900060          | 1007 |      |
| 19 | Evaporator fan complete       | 761234098          | 1007 |      |
| 20 | Fan blade, ø200               | 612900201          | 1007 | 3620 |
| 21 | Cabinet sensor                | 453531500          | 1007 |      |
| 22 | Defrost sensor                | 453531501          | 1007 | 0712 |
| 22 | Defrost sensor                | 453531504          | 0712 |      |
| 23 | E-sensor                      | 453531504          | 1007 |      |
| 24 | Re-evap. heating element 60 W | 761250778          | 1007 | 2714 |
| 24 | Re-evap. heating element 60 W | 765072862          | 2714 |      |
| 25 | Float switch                  | 765072049          | 1007 |      |

Description :

**Spare parts list for BioPlus/BioBlood  
ER/BR/RF/BF 600/660 W CH/LH**

| Compiled. |      | Latest revision. |      |        | Discontinued |      |
|-----------|------|------------------|------|--------|--------------|------|
| Date      | Name | Date             | Name | Rev.no | Date         | Name |
| 29.05.07  | JP   | 06.10.20         | JP   | 030    |              |      |

| Item No. | Description | Gram part No. | week/year<br>Issued | week/year<br>Deleted |
|----------|-------------|---------------|---------------------|----------------------|
|----------|-------------|---------------|---------------------|----------------------|

Control panel:

|    |  |       |           |      |      |
|----|--|-------|-----------|------|------|
| 30 | Electronic control, display part         |       | 612900056 | 1007 |      |
| 30 | Electronic control, display part for LTP |       | 612900057 | 3919 |      |
| 31 | Band cable L=1200                        |       | 453582046 | 1007 |      |
| 31 | Band cable for LTP                       |       | 765072969 | 3919 |      |
| 32 | Controller power part M5                 | ER    | 761256135 | 1007 |      |
| 32 | Controller power part M4                 | BR    | 761256133 | 1007 |      |
| 32 | Controller power part F5                 | RF/BF | 761256134 | 1007 | 4414 |
| 32 | Controller power part F51                | RF/BF | 761256162 | 4414 |      |
| 32 | Controller power part M5 batt.alm.       | ER    | 761256146 | 1007 |      |
| 32 | Controller power part M4 batt.alm.       | BR    | 761256145 | 1007 |      |
| 32 | Controller power part F5 batt.alm.       | RF/BF | 761256147 | 1007 |      |
| 33 | Label with keys                          |       | 765041752 | 1007 |      |

Door:

|    |                                |     |           |      |  |
|----|--------------------------------|-----|-----------|------|--|
| 40 | Door gasket                    | 600 | 761259246 | 1007 |  |
| 40 | Door gasket                    | 660 | 761259247 | 1007 |  |
| 41 | Hinge, upper right/bottom left |     | 761258923 | 1007 |  |
| 42 | Hinge, bottom right/upper left |     | 761258998 | 1007 |  |

Description :

**Spare parts list for BioPlus/BioBlood  
ER/BR/RF/BF 600/660 W CH/LH**

| Compiled. |      | Latest revision. |      |        | Discontinued |      |
|-----------|------|------------------|------|--------|--------------|------|
| Date      | Name | Date             | Name | Rev.no | Date         | Name |
| 29.05.07  | JP   | 06.10.20         | JP   | 030    |              |      |

| Item No. | Description | Gram part No. | week/year<br>Issued | week/year<br>Deleted |
|----------|-------------|---------------|---------------------|----------------------|
|----------|-------------|---------------|---------------------|----------------------|

**Other spare parts**

Cabinet

|    |                                     |       |           |      |      |
|----|-------------------------------------|-------|-----------|------|------|
| 50 | Air relief valve                    |       | 765081206 | 1007 |      |
| 51 | Front panel – solid door, stainless |       | 761231464 | 1007 |      |
| 51 | Front panel – solid door, white     |       | 761231465 | 1007 |      |
| 51 | Front panel – glass door, stainless |       | 761231462 | 1007 |      |
| 51 | Front panel – glass door, white     |       | 761234025 | 1007 |      |
| 52 | Front panel plug                    |       | 760250272 | 1007 |      |
| 53 | Hinge for front panel               |       | 761258926 | 1007 |      |
| 55 | Cover rail for evaporator           |       | 761254449 | 1007 | 1009 |
| 55 | Cover for evaporator (one piece)    |       | 761254469 | 1009 |      |
| 56 | Cover plate, left                   |       | 761255454 | 1007 | 1009 |
| 57 | Cover plate, right                  |       | 761255453 | 1007 | 1009 |
| 58 | Suspension plate for evaporator     |       | 761255455 | 1007 |      |
| 59 | Heating element bracket             |       | 761254427 | 1007 |      |
| 60 | Fan holder                          |       | 761258499 | 1007 | 3620 |
| 61 | Cable clip                          |       | 452470001 | 1007 |      |
| 62 | Drip water tray                     |       | 761256013 | 1007 | 5108 |
| 62 | Drip water tray                     |       | 761256032 | 5108 |      |
| 62 | Drip water tray, insulated          | RF/BR | 761256048 | 0710 |      |
| 63 | Holder for drip water tray          |       | 761253441 | 1007 |      |
| 63 | Holder for drip water tray          | RF/BR | 761253442 | 0710 |      |
| 64 | Air distribution plate              | 600   | 761254480 | 1007 |      |
| 64 | Air distribution plate              | 660   | 761254481 | 1007 |      |
| 65 | Rail for air distribution plate     |       | 760243634 | 1007 |      |
| 66 | Re-evaporation tray                 |       | 765081149 | 1007 |      |
| 67 | Cover plate for re-evap. tray       |       | 761255383 | 1007 |      |
| 68 | Water trap                          |       | 760082891 | 1007 |      |
| 69 | Drain pipe                          |       | 765081153 | 1007 |      |
| 70 | Heating element bracket             |       | 761255445 | 1007 | 2714 |
| 70 | Heating element bracket             |       | 763250002 | 2714 |      |
| 71 | Float switch bracket                |       | 761255446 | 1007 | 2714 |
| 71 | Float switch bracket                |       | 763250003 | 2714 |      |
| 72 | Lead and plug, DK 3-pin             |       | 765072555 | 1007 |      |
| 72 | Lead and plug, Schuko               |       | 765072554 | 1007 |      |
| 72 | Lead and plug, GB                   |       | 765072553 | 1007 |      |

**Gram Commercial**  
**Technical information**

765041221

Description :

**Spare parts list for BioPlus/BioBlood  
ER/BR/RF/BF 600/660 W CH/LH**

| Compiled. |      | Latest revision. |      |        | Discontinued |      |
|-----------|------|------------------|------|--------|--------------|------|
| Date      | Name | Date             | Name | Rev.no | Date         | Name |
| 29.05.07  | JP   | 06.10.20         | JP   | 030    |              |      |

| Item No. | Description                        | Gram part No. | week/year<br>Issued | week/year<br>Deleted |
|----------|------------------------------------|---------------|---------------------|----------------------|
| 76       | Screw for fan blade                | 612900100     | 1007                | 3620                 |
| 77       | Leg, stainless H=135-200           | 765080115     | 1007                |                      |
| 78       | Fixed wheel, H=125                 | 480270520     | 1007                |                      |
| 79       | Castor wheel, with brake           | 480260050     | 1007                |                      |
| 80       | Screw M8 x 12                      | 420050100     | 1007                |                      |
| 81       | Front panel filter                 | 761258491     | 1007                |                      |
| 82       | Front panel close latch            | 761253307     | 1007                |                      |
| 83       | Front panel close keeper           | 761253301     | 1007                |                      |
| 84       | Condenser filter                   | 761114415     | 1007                |                      |
| 85       | Attachment spring                  | 761114417     | 1007                | 2809                 |
| 85       | Attachment plug                    | 765081233     | 2809                |                      |
| 86       | Door lock – solid door             | 765080092     | 1007                |                      |
| 86       | Door lock – glass door             | 765080098     | 1007                |                      |
| 87       | Key no. 1 (25010)                  | 765080340     | 1007                |                      |
| 87       | Key no. 2 (25020)                  | 765080341     | 1007                |                      |
| 87       | Key no. 3 (25030)                  | 765080342     | 1007                |                      |
| 87       | Key no. 4 (25040)                  | 765080343     | 1007                |                      |
| 87       | Key no. 5 (25050)                  | 765080344     | 1007                |                      |
| 87       | Master key                         | 765080385     | 1007                |                      |
| 88       | Junction box f. re-evap. heater    | 765070143     | 1007                |                      |
| 89       | Bracket for lock                   | 761258747     | 1007                |                      |
| 90       | Bush ø12                           | 761254345     | 1007                |                      |
| 91       | Plastic cap                        | 450450080     | 1007                |                      |
| 92       | Re-evaporation heater kit complete | 761255438     | 1007                | 2714                 |
| 92       | Re-evaporation heater kit complete | 763254026     | 2714                |                      |
| 93       | Cap for M5 hole                    | grey          | 765080501           | 1007                 |
| 93       | Cap for M5 hole                    | white         | 765080504           | 1007                 |
| 94       | Insulation plug                    | 765080563     | 2309                |                      |
| 95       | Plastic cap                        | 501020023     | 2309                |                      |
| 96       | Liquid container                   | 765080384     | 1007                |                      |
| 97       | Holder for liquid container        | 761256497     | 1007                |                      |
| 98       | Fan guard                          | 765081239     | 0509                |                      |



Description :

**Spare parts list for BioPlus/BioBlood  
ER/BR/RF/BF 600/660 W CH/LH**

| Compiled. |      | Latest revision. |      |        | Discontinued |      |
|-----------|------|------------------|------|--------|--------------|------|
| Date      | Name | Date             | Name | Rev.no | Date         | Name |
| 29.05.07  | JP   | 06.10.20         | JP   | 030    |              |      |

| Item No. | Description | Gram part No. | week/year<br>Issued | week/year<br>Deleted |
|----------|-------------|---------------|---------------------|----------------------|
|----------|-------------|---------------|---------------------|----------------------|

Interior equipment:

|     |                                       |     |           |      |
|-----|---------------------------------------|-----|-----------|------|
| 150 | Wall rail                             | 600 | 761256462 | 1007 |
| 150 | Wall rail - for internal doors        | 600 | 761230295 | 2010 |
| 150 | Wall rail                             | 660 | 761256454 | 1007 |
| 150 | Wall rail - for internal doors        | 660 | 761230296 | 2010 |
| 151 | Shelf support rail (single piece)     |     | 760248857 | 1007 |
| 151 | Shelf support rail (set of 2)         |     | 818790030 | 1007 |
| 152 | Stainless wire shelf                  |     | 818799967 | 1007 |
| 152 | Stainless wire shelf / internal doors |     | 765080403 | 3210 |
| 152 | Grey wire shelf                       |     | 818799968 | 1007 |
| 153 | Perforated shelf, stainless           |     | 761230058 | 1007 |
| 160 | Alu drawer, complete                  |     | 761230358 | 1007 |
| 161 | Set of sliding rails                  |     | 761230171 | 1007 |
| 162 | Divider rail                          |     | 761230053 | 1007 |
| 163 | Holder for divider rail               |     | 761230366 | 1007 |
| 165 | Plastic divider 1                     |     | 761230021 | 1007 |
| 166 | Plastic divider 2                     |     | 761230022 | 1007 |
| 170 | Stainless drawer, complete 30 kg      |     | 761231233 | 1007 |
| 171 | Set of sliding rails                  |     | 761234007 | 1007 |
| 180 | BioBlood drawer, complete 40 kg       |     | 761231200 | 1008 |
| 181 | Set of sliding rails                  |     | 761234057 | 1008 |
| 182 | Divider, stainless                    |     | 761230312 | 2409 |
| 183 | Holder for divider, stainless         |     | 761230311 | 2409 |
| 184 | Divider set, complete                 |     | 761231449 | 2409 |
| 185 | Support for sliding rail              |     | 761230218 | 1008 |

**Description :**

**Spare parts list for BioPlus/BioBlood  
ER/BR/RF/BF 600/660 W CH/LH**

| Compiled. |      | Latest revision. |      |        | Discontinued |      |
|-----------|------|------------------|------|--------|--------------|------|
| Date      | Name | Date             | Name | Rev.no | Date         | Name |
| 29.05.07  | JP   | 06.10.20         | JP   | 030    |              |      |

| Item No. | Description | Gram part No. | week/year<br>Issued | week/year<br>Deleted |
|----------|-------------|---------------|---------------------|----------------------|
|----------|-------------|---------------|---------------------|----------------------|

Control panel/electrical parts:

|     |  |               |      |  |
|-----|--|---------------|------|--|
| 200 | Junction box                           | 761230090     | 1007 |  |
| 200 | Junction box - battery alarm           | 761230089     | 1007 |  |
| 201 | Cover for junction box                 | 761255432     | 1007 |  |
| 201 | Cover for junction box – battery alarm | 761230175     | 1007 |  |
| 202 | Door switch                            | 450400113     | 1007 |  |
| 203 | Distance tube L=8.3 mm                 | 765080021     | 1007 |  |
| 204 | Trafo for lights                       | 760073650     | 1007 |  |
| 205 | Halogen light 10W                      | 450742002     | 1007 |  |
| 206 | Bracket for door switch and lock       | 761259005     | 1007 |  |
| 208 | Mounting socket for halogen light      | 761251323     | 1007 |  |
| 209 | Wiring for halogen light               | 765071603     | 1007 |  |
| 210 | Spacer for PCB                         | 451119515     | 1007 |  |
| 211 | Sensor plug holder                     | 452260601     | 1007 |  |
| 212 | Sensor plug                            | 452260600     | 1007 |  |
| 213 | Cable clip                             | 424350001     | 1007 |  |
| 214 | Appliance inlet                        | 451022002     | 1709 |  |
| 215 | Brace for mains cable                  | 761230215     | 1709 |  |
| 216 | Chart recorder                         | 761256438     | 1007 |  |
| 218 | Battery alarm PCB                      | 453580116     | 1007 |  |
| 219 | Clear glass for LED                    | 765080380     | 1007 |  |
| 220 | Light stick for LED                    | 765080381     | 1007 |  |
| 221 | Spacer for LED                         | 765080382     | 1007 |  |
| 222 | Relay                                  | 450200082     | 1007 |  |
| 223 | Relay socket                           | 450200097     | 1007 |  |
| 224 | Battery                                | 130080060     | 1007 |  |
| 225 | Box for alarm connection               | 761230356     | 1210 |  |
| 226 | Wire for klixon                        | 765072664     | 2811 |  |
| 227 | Datalogger connector                   | 453570037     | 4311 |  |
| 230 | LTP controller                         | 453580515     | 3919 |  |
| 231 | LTP sensor                             | 600 453531530 | 3919 |  |
| 231 | LTP sensor                             | 660 453531533 | 3919 |  |
| 232 | PCB protection sheet                   | 765072698     | 0718 |  |
| 233 | Screening plate                        | 765073271     | 0718 |  |
| 234 | Dual locking spacer H=7.9 mm           | 451119525     | 0718 |  |
| 235 | Dual locking spacer H=15.9 mm          | 451119526     | 0718 |  |
| 236 | Push spacer H=7.9 mm                   | 451119527     | 0718 |  |

Description :

**Spare parts list for BioPlus/BioBlood  
ER/BR/RF/BF 600/660 W CH/LH**

| Compiled. |      | Latest revision. |      |        | Discontinued |      |
|-----------|------|------------------|------|--------|--------------|------|
| Date      | Name | Date             | Name | Rev.no | Date         | Name |
| 29.05.07  | JP   | 06.10.20         | JP   | 030    |              |      |

| Item No. | Description | Gram part No. | week/year<br>Issued | week/year<br>Deleted |
|----------|-------------|---------------|---------------------|----------------------|
|----------|-------------|---------------|---------------------|----------------------|

Door :

|     |                                |     |           |      |
|-----|--------------------------------|-----|-----------|------|
| 300 | Door, stainless                | 600 | 761251303 | 1007 |
| 300 | Door, stainless                | 660 | 761251308 | 1007 |
| 300 | Door, white                    | 600 | 761251305 | 1007 |
| 300 | Door, white                    | 660 | 761251304 | 1007 |
| 300 | Glass door                     | 600 | 761259169 | 1007 |
| 300 | Glass door                     | 660 | 761259167 | 1007 |
| 301 | Self-close device              |     | 761259909 | 1007 |
| 302 | Washer                         |     | 421708020 | 1007 |
| 303 | Foot pedal complete, lefthand  |     | 761258167 | 1007 |
| 303 | Foot pedal complete, righthand |     | 761258166 | 1007 |
| 304 | Pedal arm, lefthand            |     | 761258482 | 1007 |
| 304 | Pedal arm, righthand           |     | 761258407 | 1007 |
| 305 | Pedal spindle                  |     | 761258406 | 1007 |
| 306 | Spring for pedal, lefthand     |     | 760251364 | 1007 |
| 306 | Spring for pedal, righthand    |     | 760251363 | 1007 |
| 307 | Bracket for pedal              |     | 761258404 | 1007 |
| 308 | Screw M5x12                    |     | 420178203 | 1007 |
| 309 | Hinge bush                     |     | 760242041 | 1007 |
| 310 | Magnet for door switch         |     | 450401002 | 1007 |

Internal doors:

|     |                             |     |           |      |
|-----|-----------------------------|-----|-----------|------|
| 350 | Upper door, complete        |     | 761231889 | 2010 |
| 351 | Intermediate door, complete | 600 | 761231890 | 2010 |
| 351 | Intermediate door, complete | 660 | 761231891 | 2010 |
| 352 | Lower door, complete        |     | 761231892 | 2010 |
| 353 | Magnet                      |     | 450401003 | 2010 |
| 354 | Hinge                       |     | 761230343 | 2010 |
| 355 | Screw for hinge             |     | 420168174 | 2010 |
| 356 | Screw for magnet            |     | 420168175 | 2010 |