

*Spare parts - BioMidi*  
*EF/PF 425*

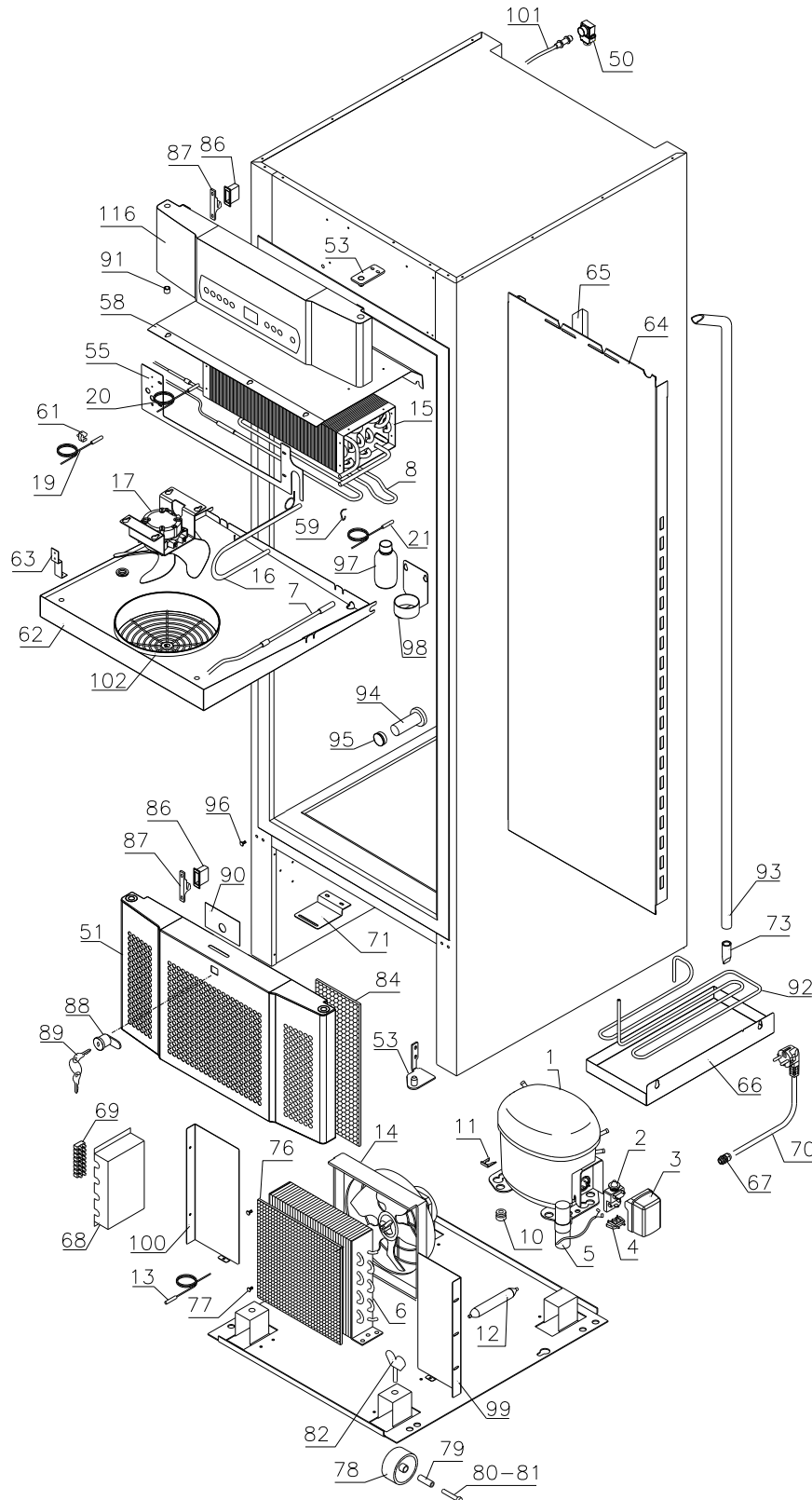


**Description :**

**Spare parts list for BioMidi  
 EF/PF 425**

Compiled.		Latest revision.			Deleted.	
Date	Name	Date	Name	Rev.no	Date	Name
21.08.08	JP	06.11.25	jolu	029		

**EF/PF 425 .G**





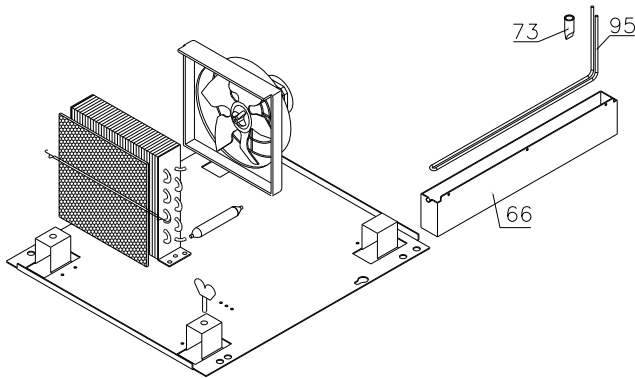
Description :

**Spare parts list for BioMidi  
EF/PF 425**

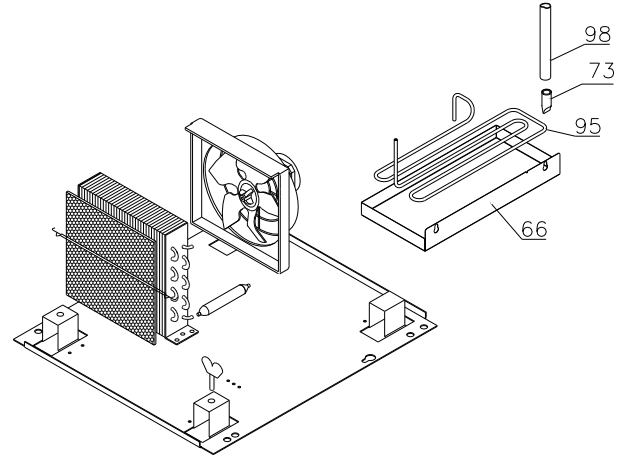
Compiled.		Latest revision.			Deleted.	
Date	Name	Date	Name	Rev.no	Date	Name
21.08.08	JP	06.11.25	jolu	029		

**Re-evaporation parts**

3608 – 4308

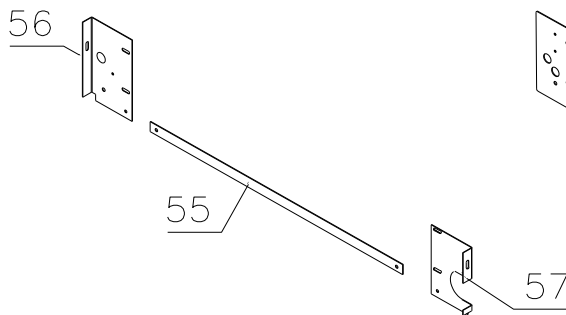


4308 -

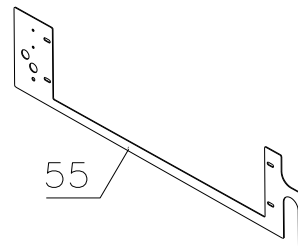


**Evaporator cover**

3608 – 1009



1090 -



Description :

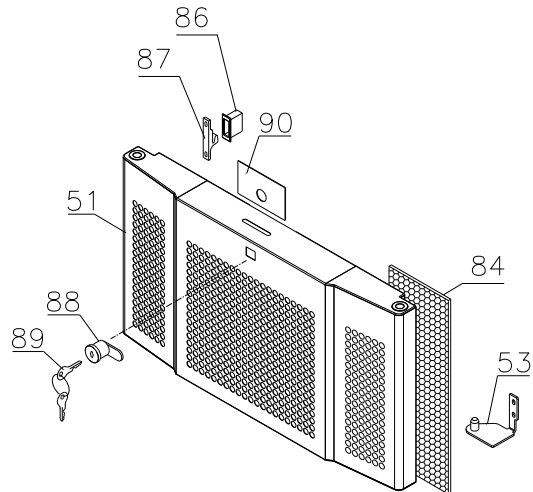
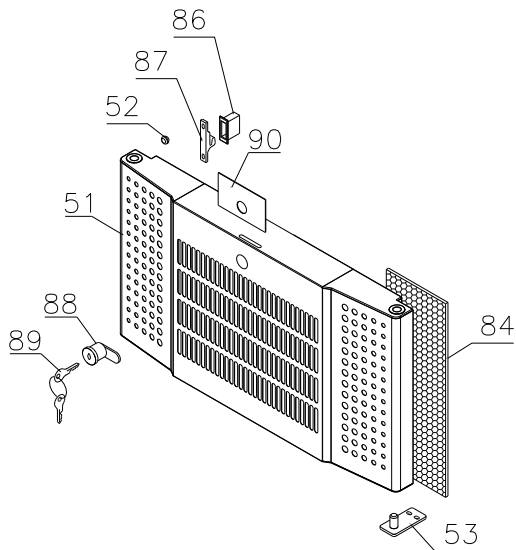
Spare parts list for BioMidi  
EF/PF 425

Compiled.		Latest revision.			Deleted.	
Date	Name	Date	Name	Rev.no	Date	Name
21.08.08	JP	06.11.25	jolu	029		

Front panel

3608 – 1909

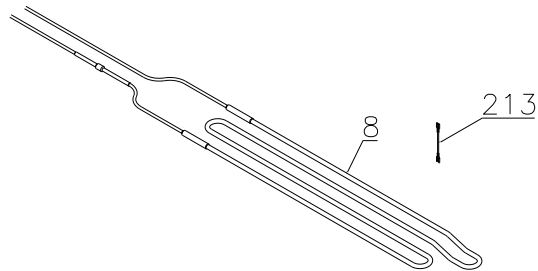
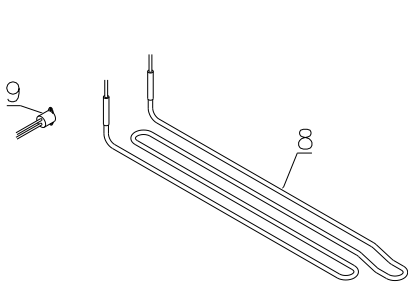
1909-



Defrost heater

3608 – 0112

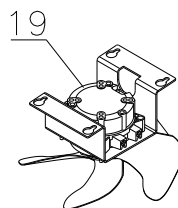
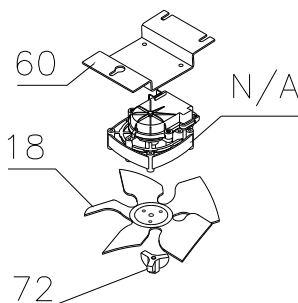
0112 -



Evaporator fan

3608 – 3620

3620 -



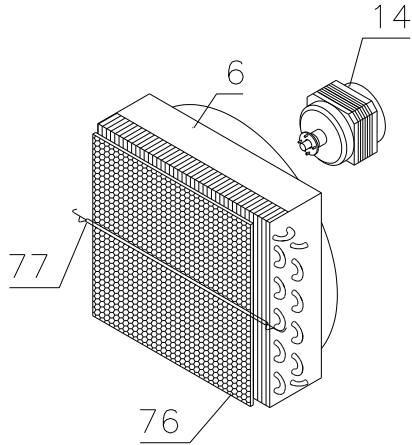
Description :

**Spare parts list for BioMidi  
 EF/PF 425**

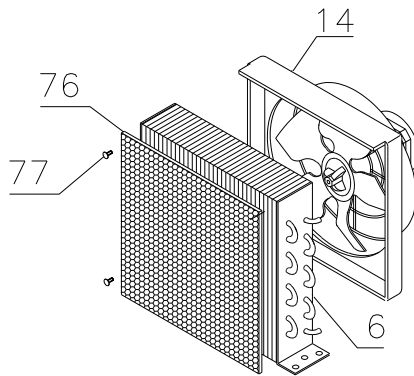
Compiled.		Latest revision.			Deleted.	
Date	Name	Date	Name	Rev.no	Date	Name
21.08.08	JP	06.11.25	jolu	029		

**Condenser**

3608 – 3620



3620 -



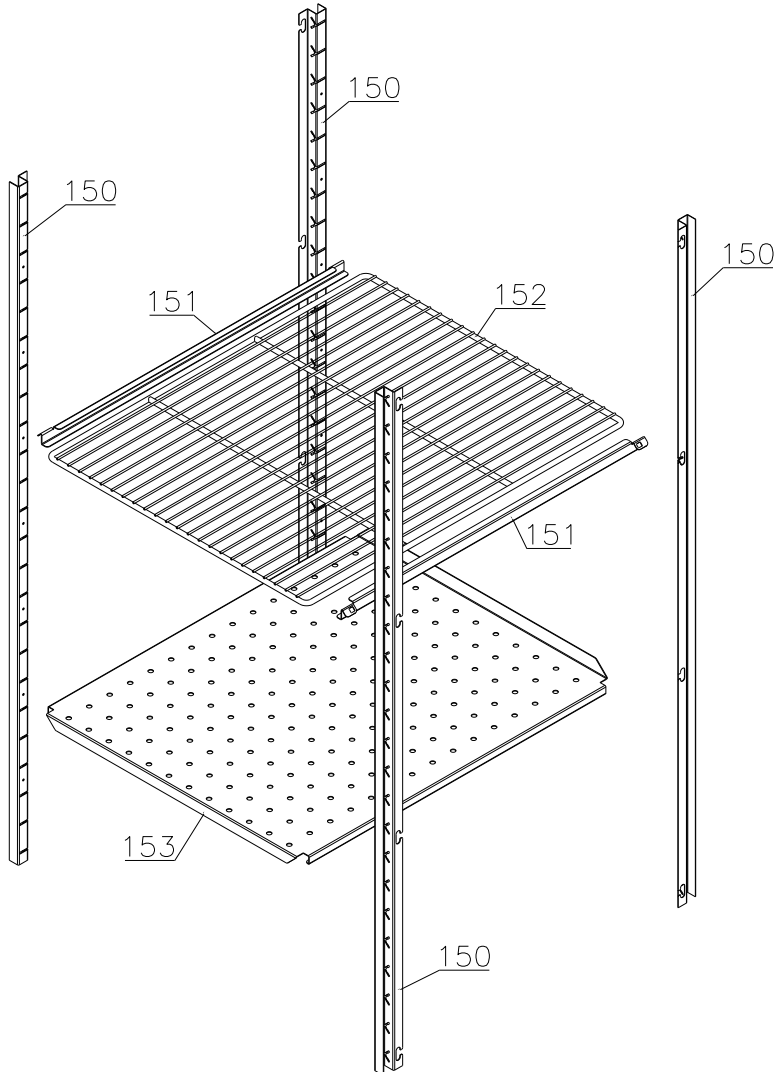
Description :

**Spare parts list for BioMidi  
EF/PF 425**

Compiled.		Latest revision.			Deleted.	
Date	Name	Date	Name	Rev.no	Date	Name
21.08.08	JP	06.11.25	jolu	029		

**Internal equipment**

Shelves:

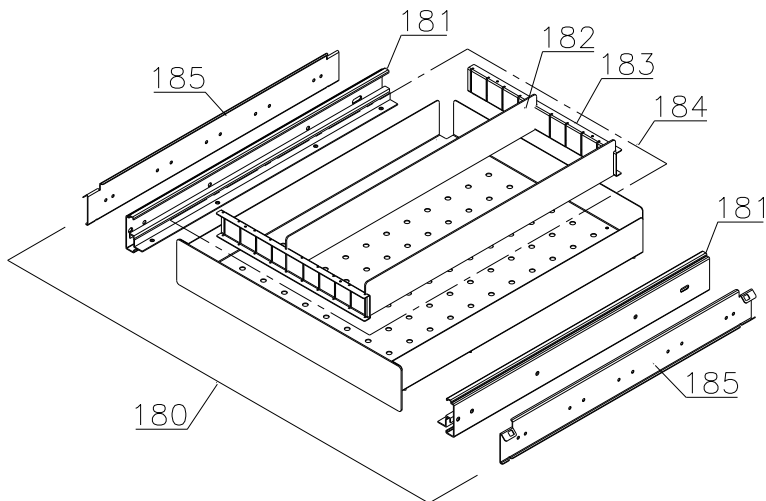
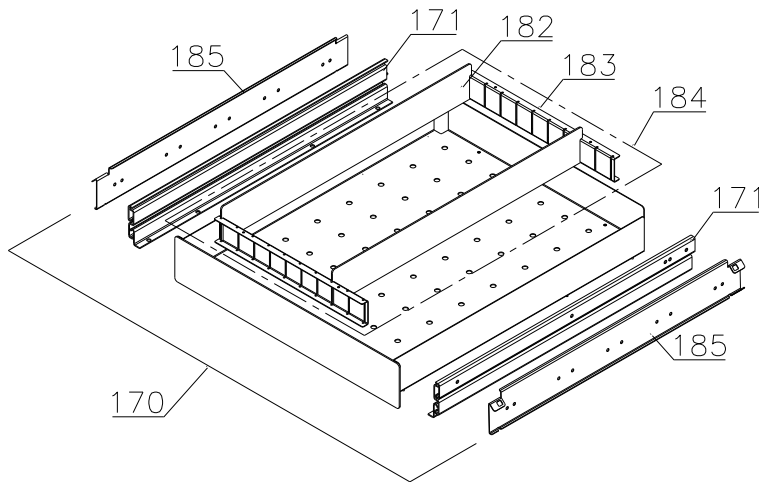
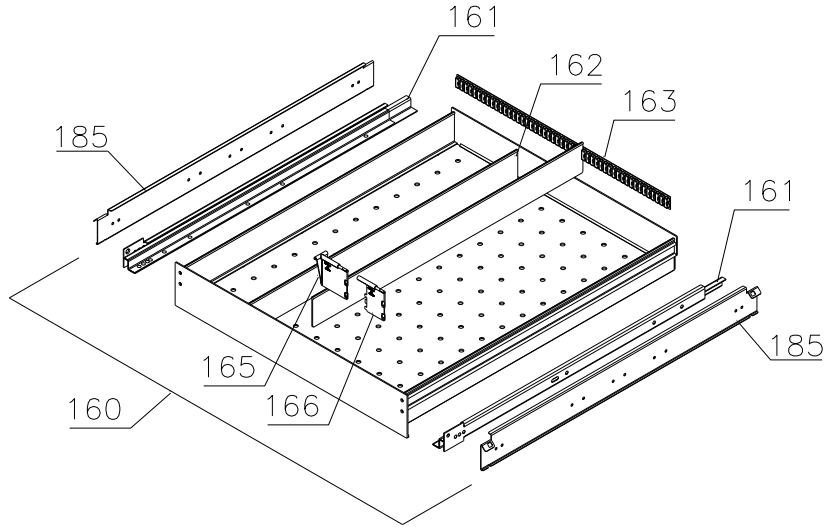


**Description :**

**Spare parts list for BioMidi  
 EF/PF 425**

Compiled.		Latest revision.			Deleted.	
Date	Name	Date	Name	Rev.no	Date	Name
21.08.08	JP	06.11.25	jolu	029		

**Drawers:**

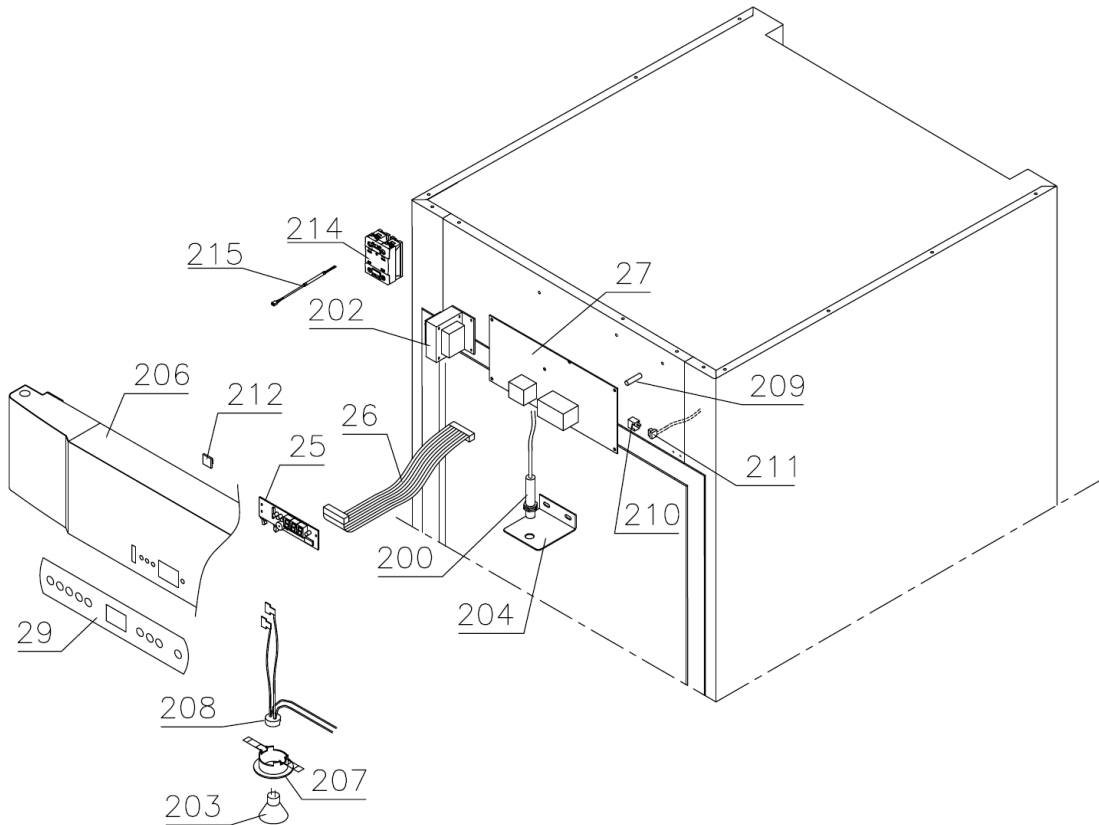


**Description :**

**Spare parts list for BioMidi  
 EF/PF 425**

Compiled.		Latest revision.			Deleted.	
Date	Name	Date	Name	Rev.no	Date	Name
21.08.08	JP	06.11.25	jolu	029		

**Control panel/electrical parts**



Description :

**Spare parts list for BioMidi  
 EF/PF 425**

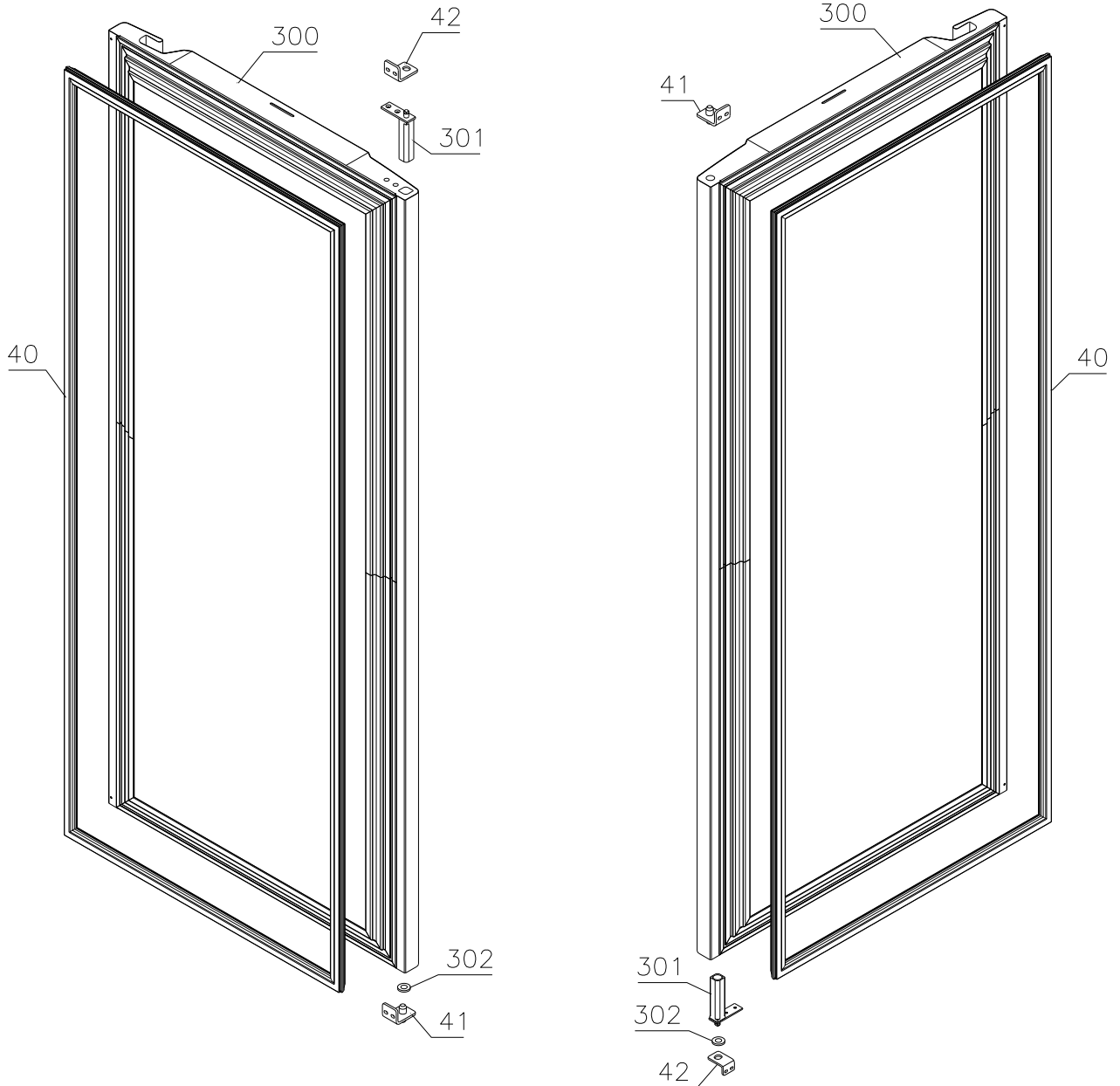
Compiled.		Latest revision.			Deleted.	
Date	Name	Date	Name	Rev.no	Date	Name
21.08.08	JP	06.11.25	jolu	029		

**Door**

3608 - 2211

Lefthand:

Righthand:



Description :

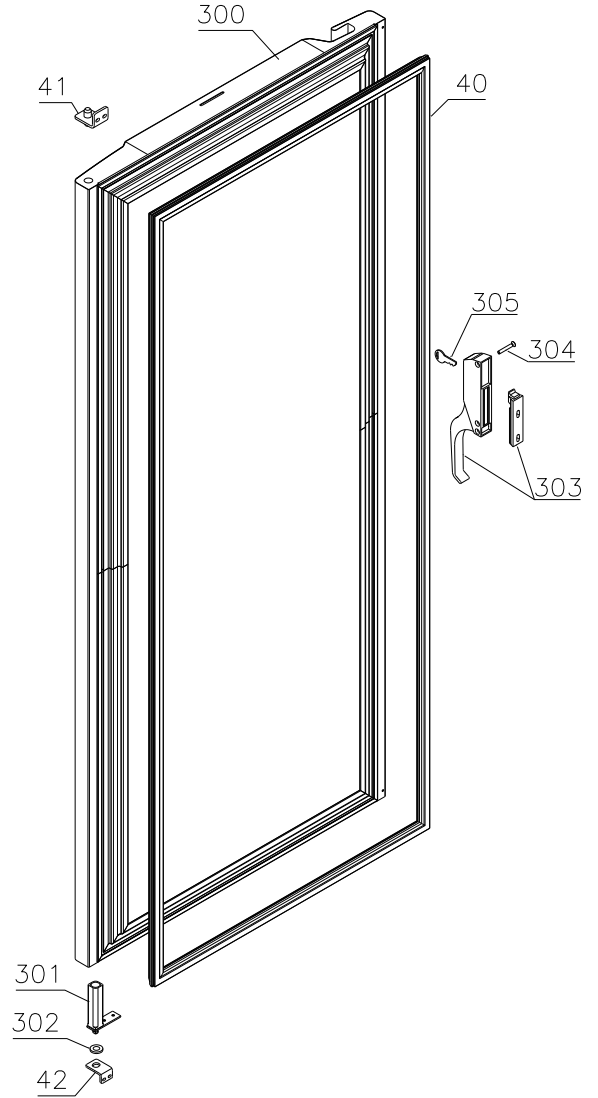
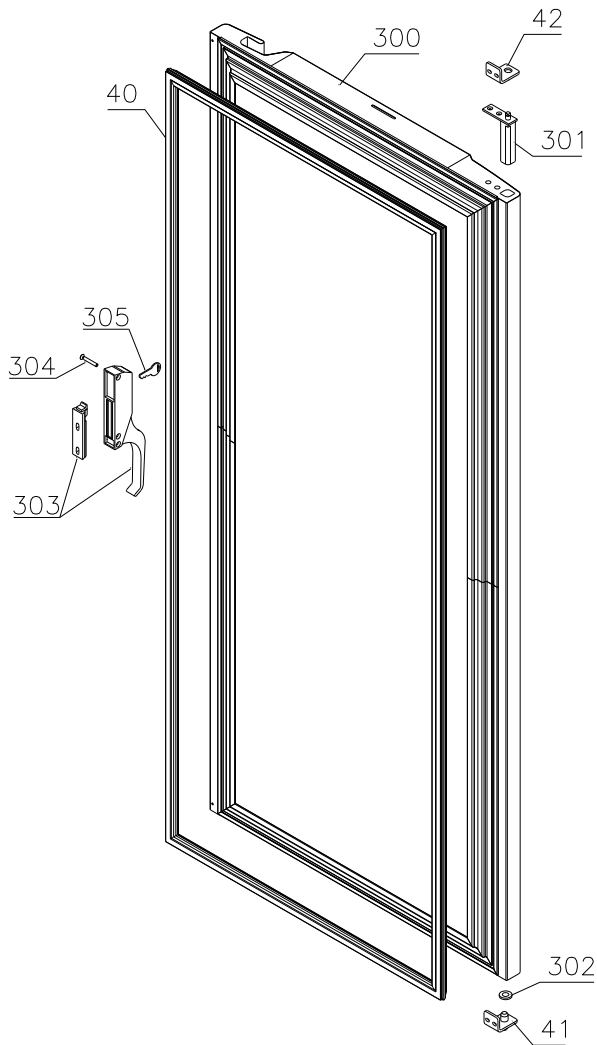
**Spare parts list for BioMidi  
 EF/PF 425**

Compiled.		Latest revision.			Deleted.	
Date	Name	Date	Name	Rev.no	Date	Name
21.08.08	JP	06.11.25	jolu	029		

2211 -

Lefthand:

Righthand:

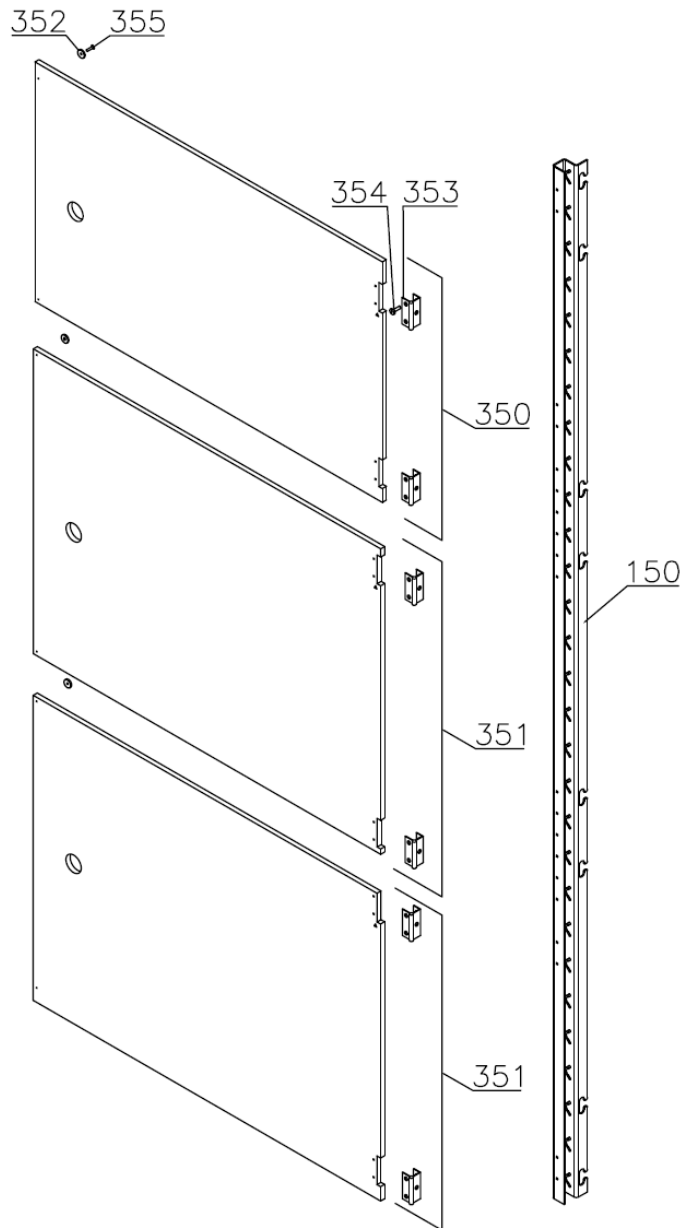


Description :

**Spare parts list for BioMidi  
 EF/PF 425**

Compiled.		Latest revision.			Deleted.	
Date	Name	Date	Name	Rev.no	Date	Name
21.08.08	JP	06.11.25	jolu	029		

**Draught shields**



Description :

**Spare parts list for BioMidi  
EF/PF 425**

Compiled.		Latest revision.			Deleted.	
Date	Name	Date	Name	Rev.no	Date	Name
21.08.08	JP	06.11.25	jolu	029		

Item No.	Description	Gram part No.	week/year Issued	week/year Deleted
----------	-------------	---------------	---------------------	----------------------

**Essential spare parts**

Refrigeration system/cabinet

EF/PF 425 G:

1	Compressor SC21CNX.2	502900014	3608
2	Starting relay	410589043	3608
3	Cover	452440280	3608
4	Cord relief	452440292	3608
5	Start capacitor	451720022	3608

EF/PF 425 H – 50Hz:

1	Compressor SC21CL	500520350	3608
2	Starting device	453051001	3608
3	Cover	452440280	3608
4	Cord relief	452440292	3608

EF/PF 425 H – 60Hz:

1	Compressor SC15CLX.2	500520289	3608
2	Starting device	453050040	3608
3	Cover	452440291	3608
4	Cord relief	452440292	3608

Common parts:

6	Condenser	762900020	3608	3620
6	Condenser	765080163	3620	
7	Drip water heater 6,5 W	765071698	3608	
8	Defrost heating element 250 W	765072055	3608	
9	Overheat safety thermostat	765070828	3608	0112
10	Rubber foot	760080519	3608	
11	Clip f. fastening	760082367	3608	
12	Filter drier	762900157	3608	
13	Condenser sensor	453531500	3608	
14	Condenser fan motor	760071617	3608	3620
14	Condenser fan guard complete	761234130	3620	3921
14	Condenser fan guard complete	761234131	3921	
15	Evaporator	762900113	3608	
16	Heat exchanger	762900062	3608	
17	Evaporator fan complete	761234098	3608	3921
17	Evaporator fan complete	761234129	3921	
18	Fan blade, ø200 34°	612900201	3608	3620
19	Cabinet sensor	453531505	3608	1523
21	Cabinet sensor	453531542	1623	
20	Defrost sensor	453531501	3608	
21	E-sensor	453531505	3608	1523
21	E-sensor	453531542	1623	

Description :

**Spare parts list for BioMidi  
EF/PF 425**

Compiled.		Latest revision.			Deleted.	
Date	Name	Date	Name	Rev.no	Date	Name
21.08.08	JP	06.11.25	jolu	029		

Item No.	Description	Gram part No.	week/year Issued	week/year Deleted
----------	-------------	---------------	---------------------	----------------------

Control panel/electrical parts:

25	Electronic control, display part	612900056	3608	
26	Band cable L=700	453582047	3608	
27	Electr. contr., power part – E4	761256143	3608	1523
27	Electr. contr., power part – E5+	761256175	1623	
27	Electr. contr., power part – C08	761234160	4125	
27	Electr. contr., power part – E5 incl Sensor	761250803	1623	
29	Label with keys	765041752	3608	

Door:

40	Door gasket	760248045	3608	
41	Hinge, top	761258923	3608	
42	Hinge, bottom	761258998	3608	

Description :

**Spare parts list for BioMidi  
EF/PF 425**

Compiled.		Latest revision.			Deleted.	
Date	Name	Date	Name	Rev.no	Date	Name
21.08.08	JP	06.11.25	jolu	029		

Item No.	Description	Gram part No.	week/year Issued	week/year Deleted
----------	-------------	---------------	---------------------	----------------------

**Other spare parts**

Cabinet

50	Air relief valve	765081206	3608	
51	Front panel, stainless	760246056	3608	1909
51	Front panel, stainless	760246002	1909	
51	Front panel, white	760246058	3608	1909
51	Front panel, white	760246014	1909	
52	Front panel plug	760250272	3608	
53	Hinge for front panel	761258926	3608	1909
53	Hinge for front panel	760248992	1909	
55	Cover rail for evaporator	760243620	3608	
56	Cover plate, left	760245226	3608	
57	Cover plate, right	760245227	3608	
58	Suspension plate for evaporator	760245213	3608	
59	Heating element bracket	761254427	3608	
60	Fan holder	761258499	3608	3620
61	Cable clip	452470001	3608	
62	Drip water tray	760246050	3608	0710
62	Drip water tray, insulated	761236000	0710	
63	Holder for drip water tray	761253441	3608	0710
63	Holder for drip water tray	761253442	0710	
64	Air distribution plate	760243559	3608	
65	Rail for air distribution plate	760243634	3608	
66	Re-evaporation tray	765081149	3608	4308
66	Re-evaporation tray	760245531	4308	
67	Cord relief	761271351	3608	
68	Cover for terminal board	761230077	3608	
69	Terminal board 12-pole	451580018	3608	
70	Lead and plug, DK 3-pin	765072558	3608	
70	Lead and plug, Schuko	765072557	3608	
70	Lead and plug, GB	765072556	3608	
71	Bracket for lock	760249008	3608	
72	Screw for fan blade	612900100	3608	3620
73	Water trap	760082891	3608	
75	Compressor baseplate	760243981	3608	
76	Condenser filter	761114423	3608	3620
76	Condenser filter	761114415	3620	

**Gram Commercial**  
**Technical information**

765041286

**Description :**

**Spare parts list for BioMidi  
EF/PF 425**

Compiled.		Latest revision.			Deleted.	
Date	Name	Date	Name	Rev.no	Date	Name
21.08.08	JP	06.11.25	jolu	029		

Item No.	Description	Gram part No.	week/year Issued	week/year Deleted
77	Attachment spring for filter	761114417	3608	3620
77	Attachment plug	765081250	3620	
78	Nylon wheel ø70	480100027	3608	
79	Wheel bush	760242404	3608	
80	Hex. screw M8 x 50	420042286	3608	
81	Hex. nut M8	421092007	3608	
82	Wing screw, brass M6 x 30	420730060	3608	
84	Front panel filter	761258491	3608	
86	Front panel close keeper	761253307	3608	
87	Front panel close catch	761253301	3608	
88	Door lock	765080092	3608	
89	Key no. 1 (25010)	765080340	3608	
89	Key no. 2 (25020)	765080341	3608	
89	Key no. 3 (25030)	765080342	3608	
89	Key no. 4 (25040)	765080343	3608	
89	Key no. 5 (25050)	765080344	3608	
89	Master key	765080385	3608	
90	Bracket for lock	760248748	3608	
91	Bush ø12	761254345	3608	
92	Re-evaporation pipe	762900064	3608	4308
92	Re-evaporation pipe	760000307	4308	
93	Drip water pipe	760245276	4308	
94	Insulation plug	765080563	2309	
95	Plastic cap	501020023	2309	
96	Cap for M5 hole	grey 765080501	1207	
96	Cap for M5 hole	white 765080504	1207	
97	Liquid container	765080384	1207	
98	Holder for liquid container	761256497	1207	
99	Condenser air guide, right	760246047	1710	
100	Condenser air guide, left	760246060	1710	
101	Air valve heater	765072022	1810	
102	Fan guard	765081239	0509	

**Description :**

**Spare parts list for BioMidi  
EF/PF 425**

Compiled.		Latest revision.			Deleted.	
Date	Name	Date	Name	Rev.no	Date	Name
21.08.08	JP	06.11.25	jolu	029		

Item No.	Description	Gram part No.	week/year Issued	week/year Deleted
----------	-------------	---------------	---------------------	----------------------

Internal equipment:

150	Wall rail	760248853	3608	
150	Wall rail, front - for internal doors	761230294	2210	
151	Shelf support rail	760248857	3608	
152	Wire shelf, stainless	765080408	3608	
153	Perforated shelf	761230103	3608	
160	Alu drawer, complete	761230360	3608	
161	Set of sliding rails	761234056	3608	
162	Divider rail	761230020	3608	
163	Holder for divider rail	761230368	3608	
165	Plastic divider 1	761230021	3608	
166	Plastic divider 2	761230022	3608	
170	Stainless drawer, complete 30 kg	761231230	1008	
171	Set of sliding rails	761234007	1008	
180	Stainless drawer, complete 40 kg	761231203	1008	
181	Set of sliding rails	761234057	1008	
182	Divider, stainless	761230320	2409	
183	Holder for divider, stainless	761230318	2409	
184	Divider set complete	761231453	2409	
185	Support for sliding rail	761230218	1008	

Description :

**Spare parts list for BioMidi  
EF/PF 425**

Compiled.		Latest revision.			Deleted.	
Date	Name	Date	Name	Rev.no	Date	Name
21.08.08	JP	06.11.25	jolu	029		

Item No.	Description	Gram part No.	week/year Issued	week/year Deleted
----------	-------------	---------------	---------------------	----------------------

Control panel/electrical parts:

200	Door switch	450400113	3608
201	Distance tube L=8.3 mm	765080021	3608
202	Trafo for lights	760073650	3608
203	Halogen light 10 W	450742002	3608
204	Bracket for door switch	760249007	3608
205	Distance bush L=16	451119513	3608
206	Control panel, stainless	761231103	3608
206	Control panel, white	761231110	3608
207	Mounting socket for halogen light	761251324	3608
208	Wiring for halogen light	765071603	3608
209	Spacer for PCB	451119515	3608
210	Sensor plug holder	452260601	3608
211	Sensor plug	452260600	3608
212	Cable clip	424350001	3608
213	Wire for defrost heater	765072664	0112
214	Solid state relay	450200300	1016
215	Cable to SSR incl. resistance	765071445	1023

Door:

300	Door, stainless	761234045	3608
300	Door, white	761234044	3608
301	Self-close device	761259909	3608
302	Washer, righthand	421708020	3608
302	Washer, lefthand	760250524	3608
303	Handle complete	761257665	2211
304	Screw M5x30	420168209	2211
305	Key	765080345	2211

Draught shields:

350	Upper door, complete	760241895	2010
351	Lower door, complete (2 off)	760241896	2010
352	Magnet	450401003	2010
353	Hinge	761230343	2010
354	Screw for hinge	420168174	2010
355	Screw for magnet	420168175	2010