

Spare parts - BioCompact II
RR 610 G

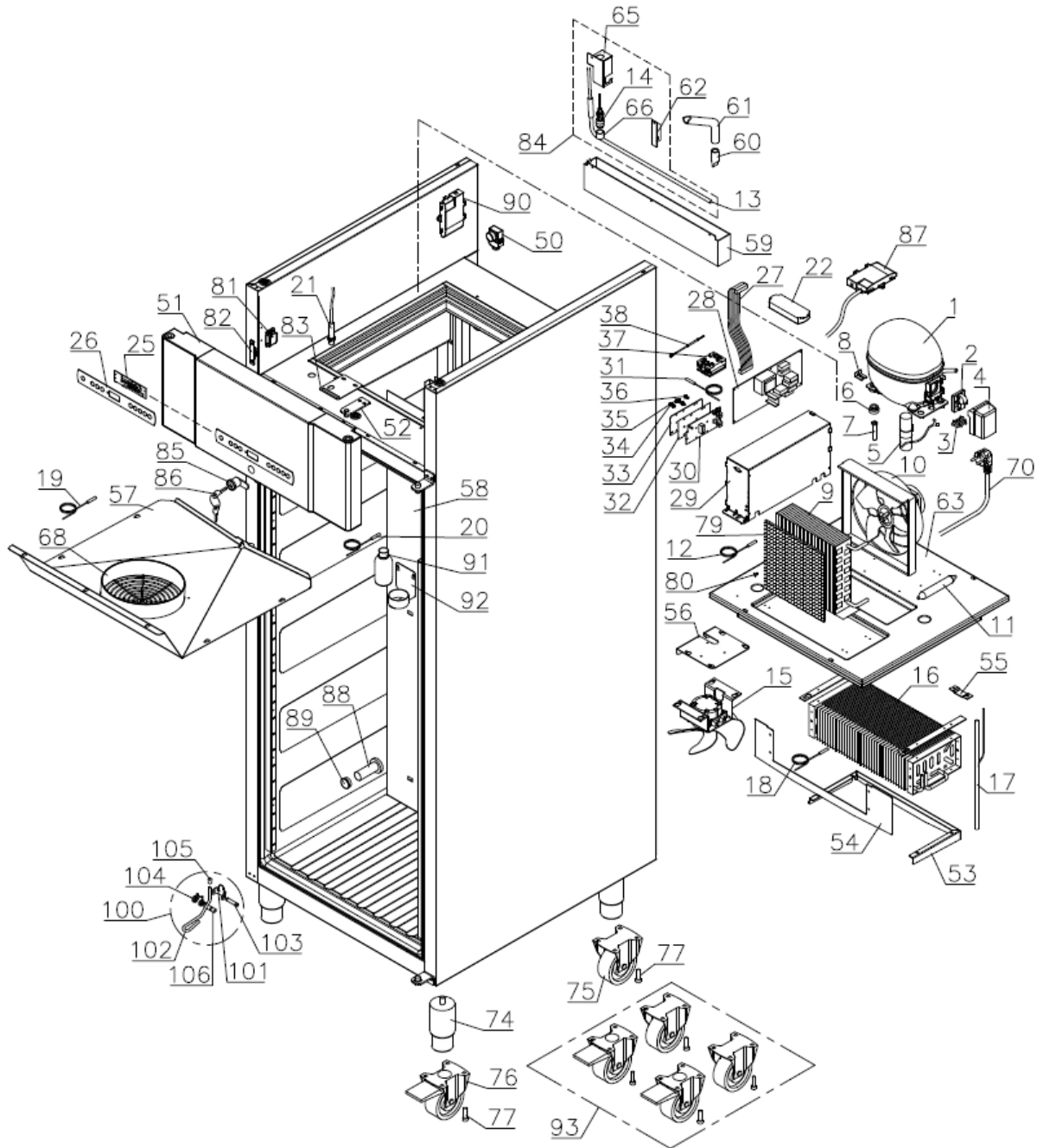


Description :

Spare parts list for BioCompact II
RR 610 G Glass door

Compiled.		Latest revision.			Deleted.	
Date	Name	Date	Name	Rev.no	Date	Name
25.01.12	JP	01.03.23	Jolu	015		

Exploded view

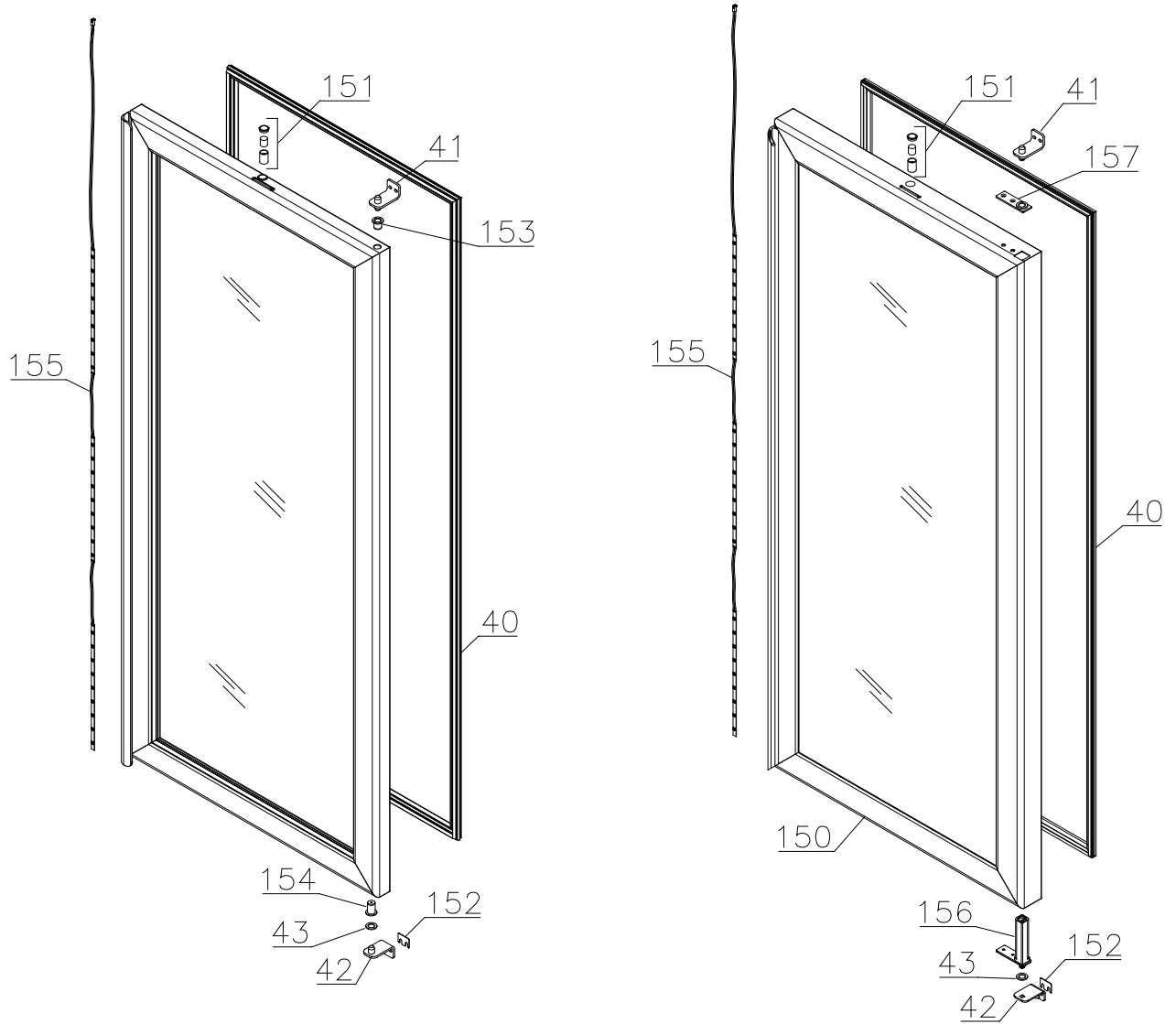


Description :

**Spare parts list for BioCompact II
 RR 610 G Glass door**

Compiled.		Latest revision.			Deleted.	
Date	Name	Date	Name	Rev.no	Date	Name
25.01.12	JP	01.03.23	Jolu	015		

Glass door



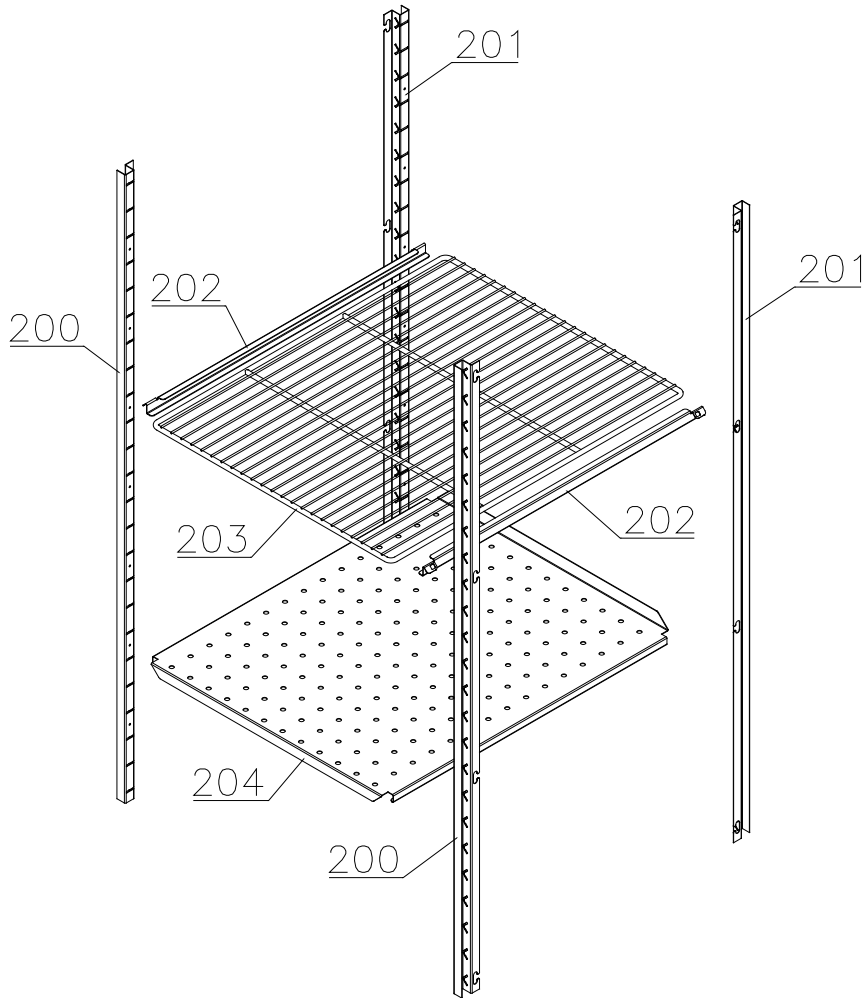
Description :

**Spare parts list for BioCompact II
 RR 610 G Glass door**

Compiled.		Latest revision.			Deleted.	
Date	Name	Date	Name	Rev.no	Date	Name
25.01.12	JP	01.03.23	Jolu	015		

Interior equipment

Shelves:

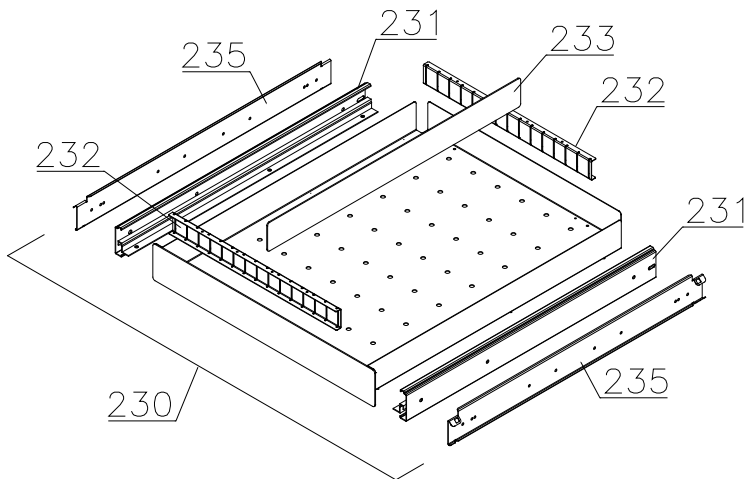
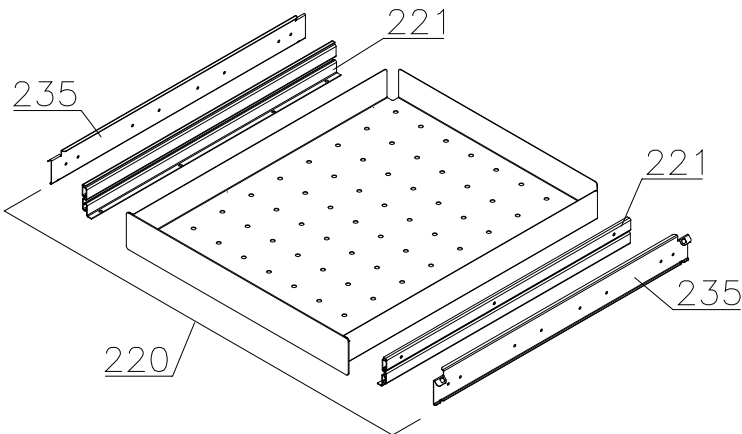
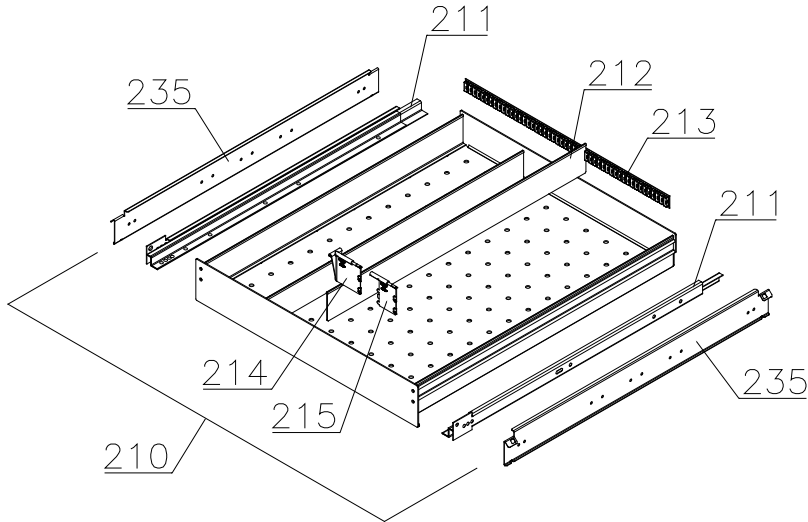


Description :

**Spare parts list for BioCompact II
 RR 610 G Glass door**

Compiled.		Latest revision.			Deleted.	
Date	Name	Date	Name	Rev.no	Date	Name
25.01.12	JP	01.03.23	Jolu	015		

Drawers:



Gram Commercial
Technical information

765041485

Description :

**Spare parts list for BioCompact II
RR 610 G Glass door**

Compiled.		Latest revision.			Deleted.	
Date	Name	Date	Name	Rev.no	Date	Name
25.01.12	JP	01.03.23	Jolu	015		

Item no.	Description	Gram part no.	week/year introduced	week/year deleted
----------	-------------	---------------	----------------------	-------------------

Essential spare parts

1	Compressor NLX13KK.1	500550096	0508	
2	Starting device	453050178	0508	
3	Cord relief	452440297	0508	
4	Cover	452440293	0508	
5	Running capacitor 4µF	451723513	0508	
6	Rubber foot	760080519	0508	
7	Screw for compressor	423200200	0508	
8	Fastening clip	760082367	0508	
9	Condenser	612900500	0508	
10	Condenser fan guard compl.	765080189	0508	
11	Filter drier	762900157	0508	
12	Condenser sensor	453531500	0508	
13	Re-evaporation heater	765071848	0508	2714
13	Re-evaporation heater	765072862	2714	
14	Float switch	765072049	0508	
15	Evaporator fan complete	761221902	0508	
16	Evaporator	761220332	0508	
17	Heat exchanger	761221403	0508	
18	Defrost sensor	453531501	0508	
19	Cabinet sensor	453531501	0508	
20	E-sensor	453531504	0508	
21	Door switch	450400113	0508	
22	LED driver	765072844	0508	
25	Controller display part	612900056	0508	
26	Label with keys	765041753	0508	
27	Band cable	453582046	0508	
27	Band cable for LTP	765072958	3519	
28	Electronic controller K6+	761256154	0508	
29	Electrical box complete	761232111	0508	
30	LTP controller	453580515	3519	
31	LTP sensor	453531526	3519	
32	PCB protection sheet	765072698	0718	
33	Screening plate	765073271	0718	
34	Dual locking spacer H=7.9 mm	451119525	0718	
35	Dual locking spacer H=15.9 mm	451119526	0718	
36	Push spacer H=7.9 mm	451119527	0718	
37	Solid state relay	450200300	4717	
38	Cable to SSR incl. resistance	765071445	1023	
38	Cable to SSR incl. resistance "LTP"	765071449	1023	

Gram Commercial
Technical information

765041485

Description :

**Spare parts list for BioCompact II
RR 610 G Glass door**

Compiled.		Latest revision.			Deleted.	
Date	Name	Date	Name	Rev.no	Date	Name
25.01.12	JP	01.03.23	Jolu	015		

Item no.	Description	Gram part no.	week/year introduced	week/year deleted
40	Door gasket	761220372	0508	4314
40	Door gasket	761222871	4314	
41	Hinge, top	761222735	0508	
42	Hinge, bottom	761222737	0508	4314
42	Hinge, bottom self-close	right	761222824	4314
42	Hinge, bottom self-close	left	761222827	4314
43	Washer	760250524	0508	4314
43	Washer	420178003	4314	

Gram Commercial
Technical information

765041485

Description :

Spare parts list for BioCompact II
RR 610 G Glass door

Compiled.		Latest revision.			Deleted.	
Date	Name	Date	Name	Rev.no	Date	Name
25.01.12	JP	01.03.23	Jolu	015		

Item no.	Description	Gram part no.	week/year introduced	week/year deleted
----------	-------------	---------------	----------------------	-------------------

Other spare parts

50	Air relief valve	765081206	0508	
51	Front panel stainless	761234020	0508	
51	Front panel white	761234021	0508	
52	Hinge for front panel	761220388	0508	
53	Evaporator cover, side/back	761220326	0508	
54	Evaporator cover, front	761220325	0508	
55	Suspension bracket	760250295	0508	
56	Fan holder	761220369	0508	
57	Drip water tray	761221430	0508	
58	Air distribution plate	761220331	0508	
59	Re-evaporation tray	765081149	0508	
60	Water trap	760082891	0508	
61	Drain pipe	765081153	0508	5017
61	Drain pipe	765081253	5017	
62	Heater bracket	761255445	0508	2714
62	Heater bracket	763250002	2714	
63	Insulation slab	761221734	0508	
64	Screw for fan blade	612900100	0508	
65	Float switch bracket	761255446	0508	2714
65	Float switch bracket	763250003	2714	
66	Plastic cap	450450080	0508	
67	Thermostat, low temp limitation UT72	765072101	0508	
68	Fan guard	765081239	0508	
70	Lead and plug, DK 3-pin	765072568	0508	
70	Lead and plug, Schuko	765072566	0508	
70	Lead and plug, Switzerland	765070163	0508	
70	Lead and plug, GB	765072567	0508	
74	Leg, stainless H=135-200	765080115	0508	
75	Fixed wheel, H=125	480270520	0508	
76	Castor wheel, with brake	480260050	0508	
77	Screw M8 x 12	422715000	0508	
79	Condenser filter	761114416	0508	
80	Attachment spring	762110375	0508	2809
80	Attachment plug	765081246	2809	
81	Front panel close catch	761220375	0508	
82	Front panel close keeper	761220374	0508	
83	Bracket for lock	761220376	0508	
84	Re-evap. heater kit complete	761255438	0508	2714
84	Re-evap. heater kit complete	763254026	2714	

Gram Commercial
Technical information

765041485

Description :

Spare parts list for BioCompact II
RR 610 G Glass door

Compiled.		Latest revision.			Deleted.	
Date	Name	Date	Name	Rev.no	Date	Name
25.01.12	JP	01.03.23	Jolu	015		

Item no.	Description	Gram part no.	week/year introduced	week/year deleted
85	Door lock	765080092	0508	
86	Key no. 1 (25010)	765080340	0508	
86	Key no. 2 (25020)	765080341	0508	
86	Key no. 3 (25030)	765080342	0508	
86	Key no. 4 (25040)	765080343	0508	
86	Key no. 5 (25050)	765080344	0508	
86	Master key	765080385	0508	
87	Box for alarm connection	761233402	0508	
88	Insulation plug	765080563	0508	
89	Plastic cap	501020023	0508	
90	Electrics cover	765070143	0508	
91	Liquid container	765080384	0508	
92	Holder for liquid container	761256497	0508	
93	Set of castor wheels	818899905	0508	
100	Foot pedal complete	819581053	0911	
101	Bracket for pedal	761224010	0911	
102	Pedal arm	761224002	0911	
103	Spindle	761224007	0911	
104	Spring	761224005	0911	
105	Plastic cap	581400021	0911	
106	Bush	761224008	0911	
150	Glass door	761232965	0508	
151	Door magnet complete	761250786	0508	
152	Spacer for hinge	761258621	0508	
153	Bush, top	760250525	0508	4314
154	Bush, bottom	761220936	0508	4314
155	LED light strip	761222718	0508	
156	Self-close device	763251745	4314	
157	Hinge bearing complete	761220980	4314	

Gram Commercial
Technical information

765041485

Description :

**Spare parts list for BioCompact II
RR 610 G Glass door**

Compiled.		Latest revision.			Deleted.	
Date	Name	Date	Name	Rev.no	Date	Name
25.01.12	JP	01.03.23	Jolu	015		

Item no.	Description	Gram part no.	week/year introduced	week/year deleted
----------	-------------	---------------	----------------------	-------------------

Interior equipment:

200	Wall rail, front	761220335	0508	
201	Wall rail, back	761220336	0508	
202	Shelf support rail	761256455	0508	
203	Grey wire shelf	818880008	0508	
204	Perforated shelf, stainless	761230083	0508	
210	Alu drawer, complete	761230362	2210	
211	Set of sliding rails	761234055	2210	
212	Divider rail	761230016	2210	
213	Holder for divider rail	761230063	2210	
214	Plastic divider 1	761230021	2210	
215	Plastic divider 2	761230022	2210	
220	Stainless drawer 30 kg, complete	761231232	0508	
221	Set of sliding rails	761234000	0508	
230	Stainless drawer 40 kg, complete	761231202	0508	
231	Set of sliding rails	761234058	0508	
232	Divider rail	761230305	0508	
233	Divider	761230308	0508	
235	Support for sliding rail	761230201	0508	3310
235	Support for sliding rail, right	761230278	3310	
235	Support for sliding rail, left	761230281	3310	